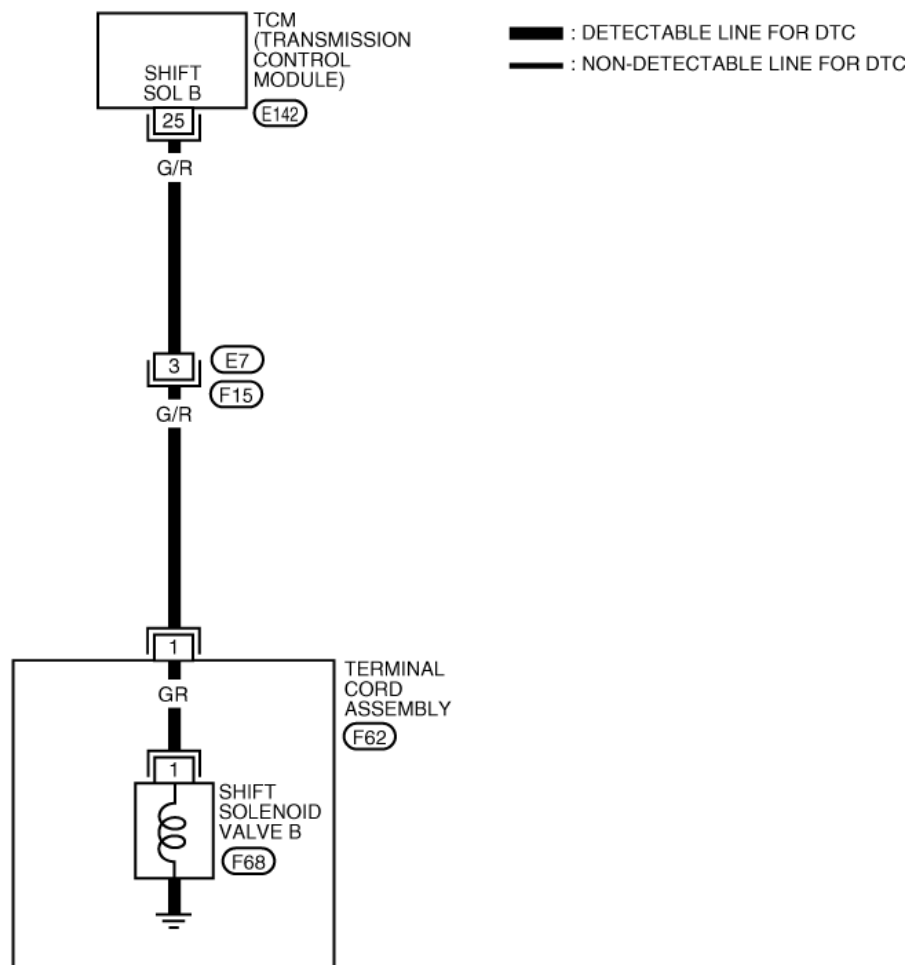


### 16. 换挡电磁阀 B 电路



21	22	23	24	25	26	27
28	29	30	31	32	33	34
35	36	37	38	39		
40	41	42	43	44	45	46
47	48					

E142  
GR



1	2	3	4	5
6	7	8	9	10

F15  
G

3	2	1
6	5	4

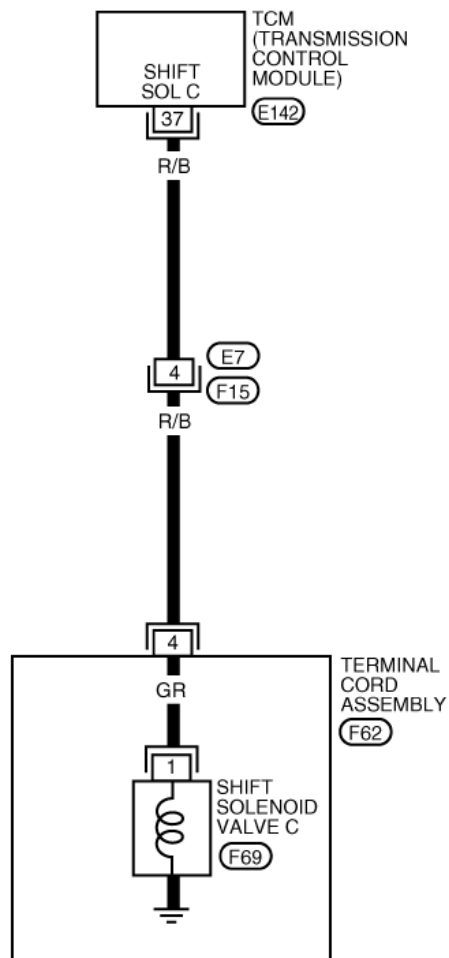
F62  
GR

F68\*  
GR

\*: THIS CONNECTOR IS NOT SHOWN IN "HARNESS LAYOUT" OF PG SECTION.

# 17. 换挡电磁阀 C 电路

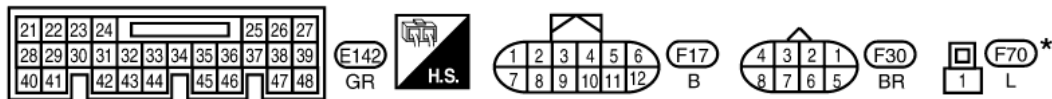
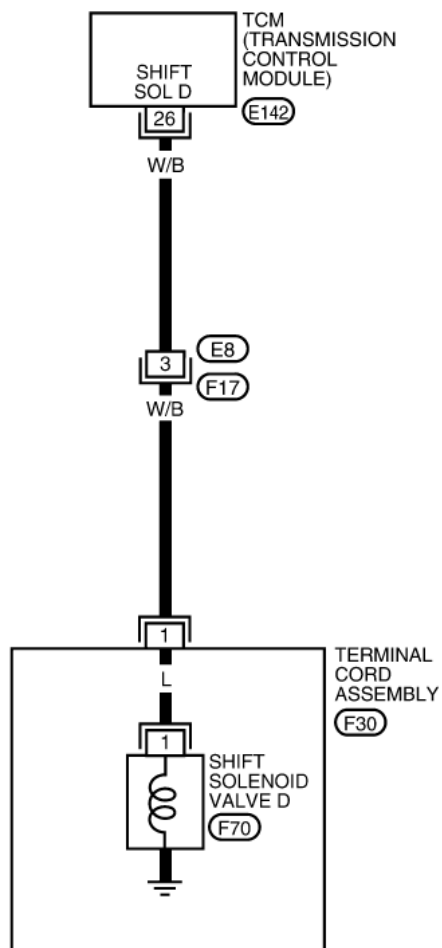
: DETECTABLE LINE FOR DTC  
 : NON-DETECTABLE LINE FOR DTC



\*: THIS CONNECTOR IS NOT SHOWN IN "HARNESS LAYOUT" OF PG SECTION.

# 18. 换挡电磁阀 D 电路

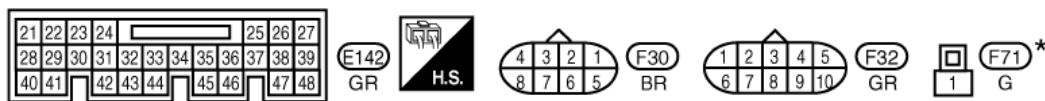
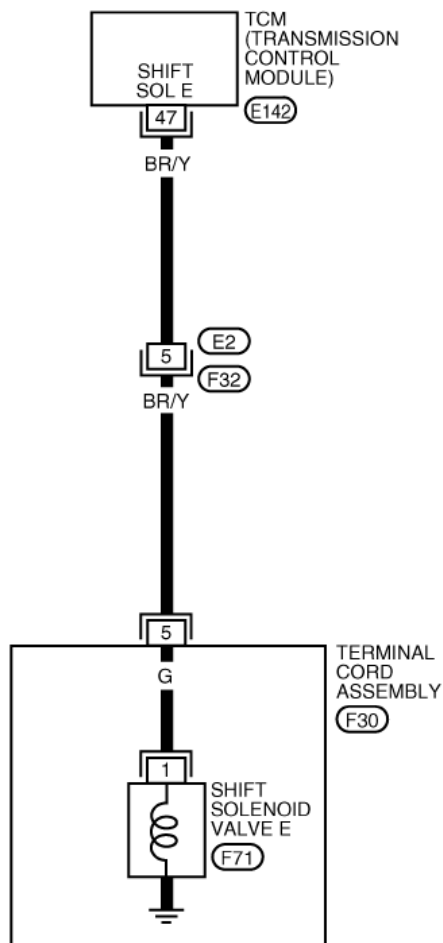
: DETECTABLE LINE FOR DTC  
 : NON-DETECTABLE LINE FOR DTC



\*: THIS CONNECTOR IS NOT SHOWN IN "HARNESS LAYOUT" OF PG SECTION.

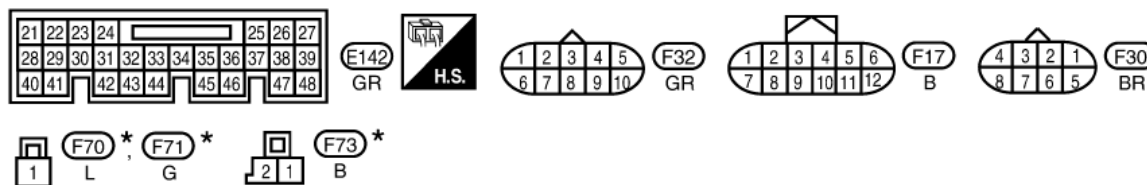
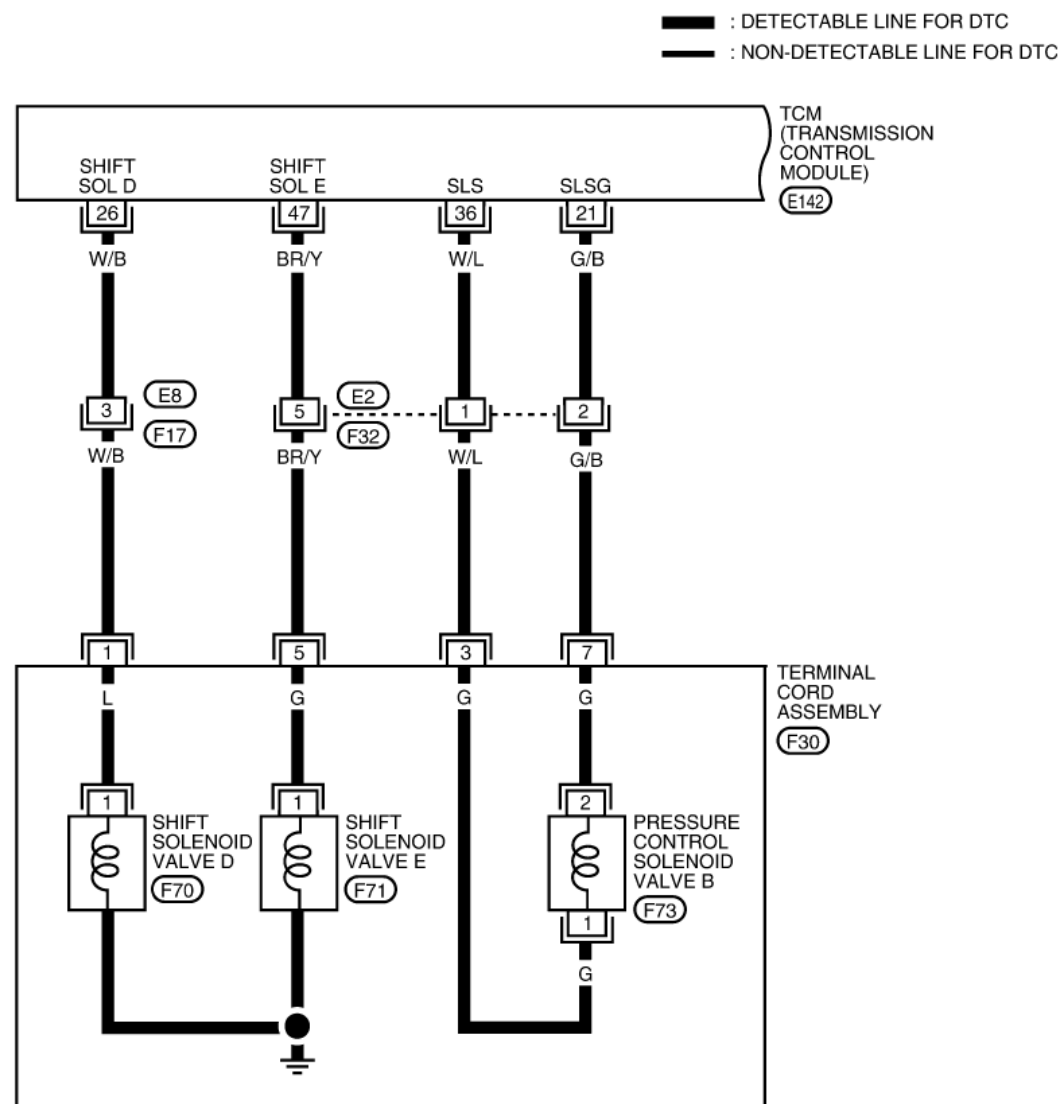
# 19. 换挡电磁阀 E 电路

: DETECTABLE LINE FOR DTC  
 : NON-DETECTABLE LINE FOR DTC



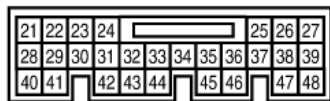
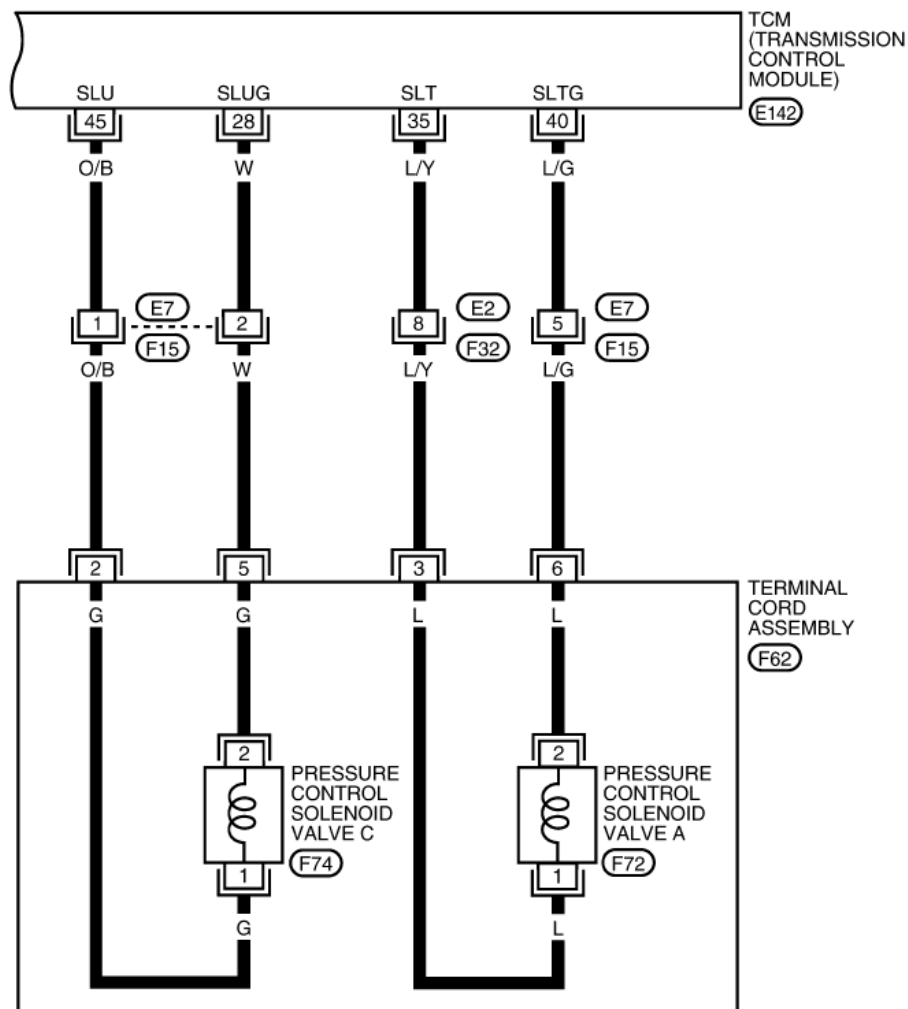
\*: THIS CONNECTOR IS NOT SHOWN IN "HARNESS LAYOUT" OF PG SECTION.

## 20. 换挡电路



\*: THIS CONNECTOR IS NOT SHOWN IN "HARNESS LAYOUT" OF PG SECTION.

: DETECTABLE LINE FOR DTC  
 : NON-DETECTABLE LINE FOR DTC



\* : THIS CONNECTOR IS NOT SHOWN IN "HARNESS LAYOUT" OF PG SECTION.



## 22. TCM 输入信号电路

