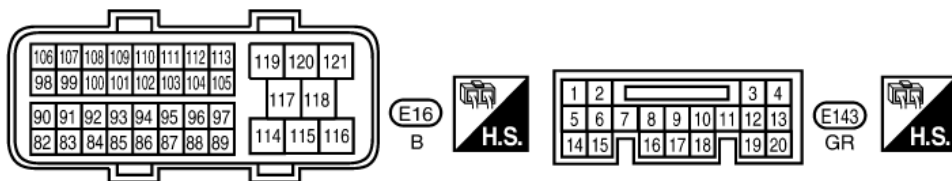
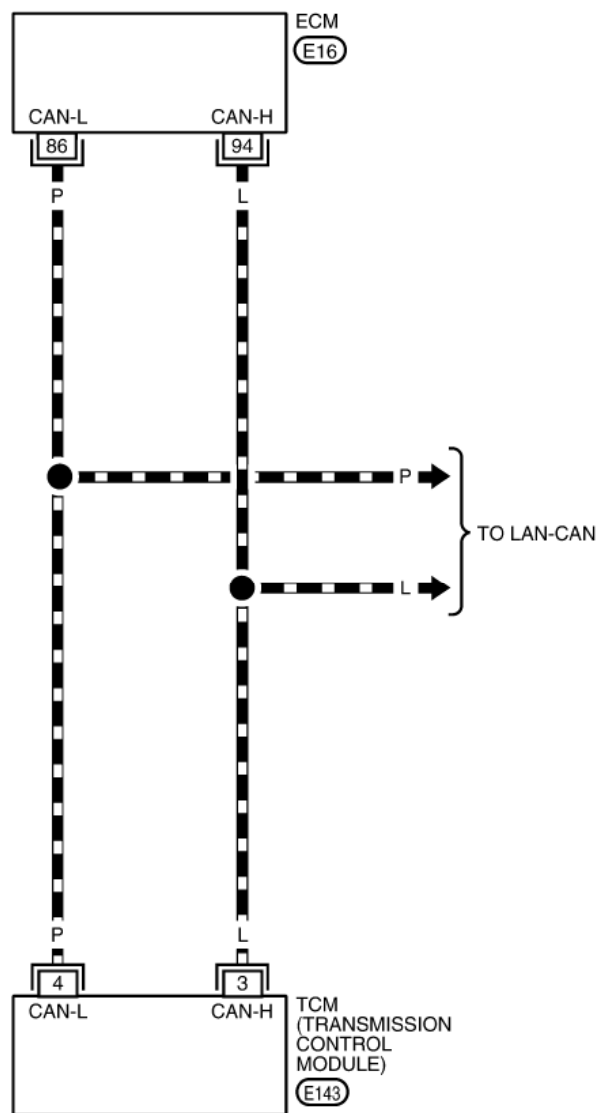
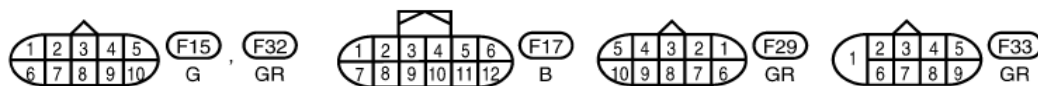
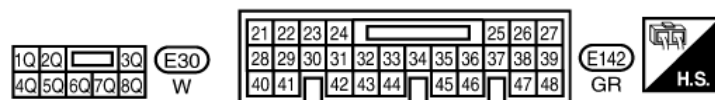
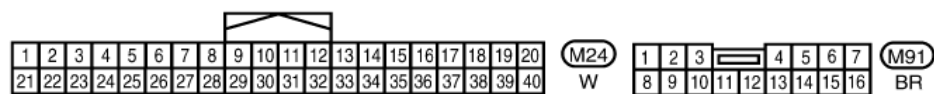
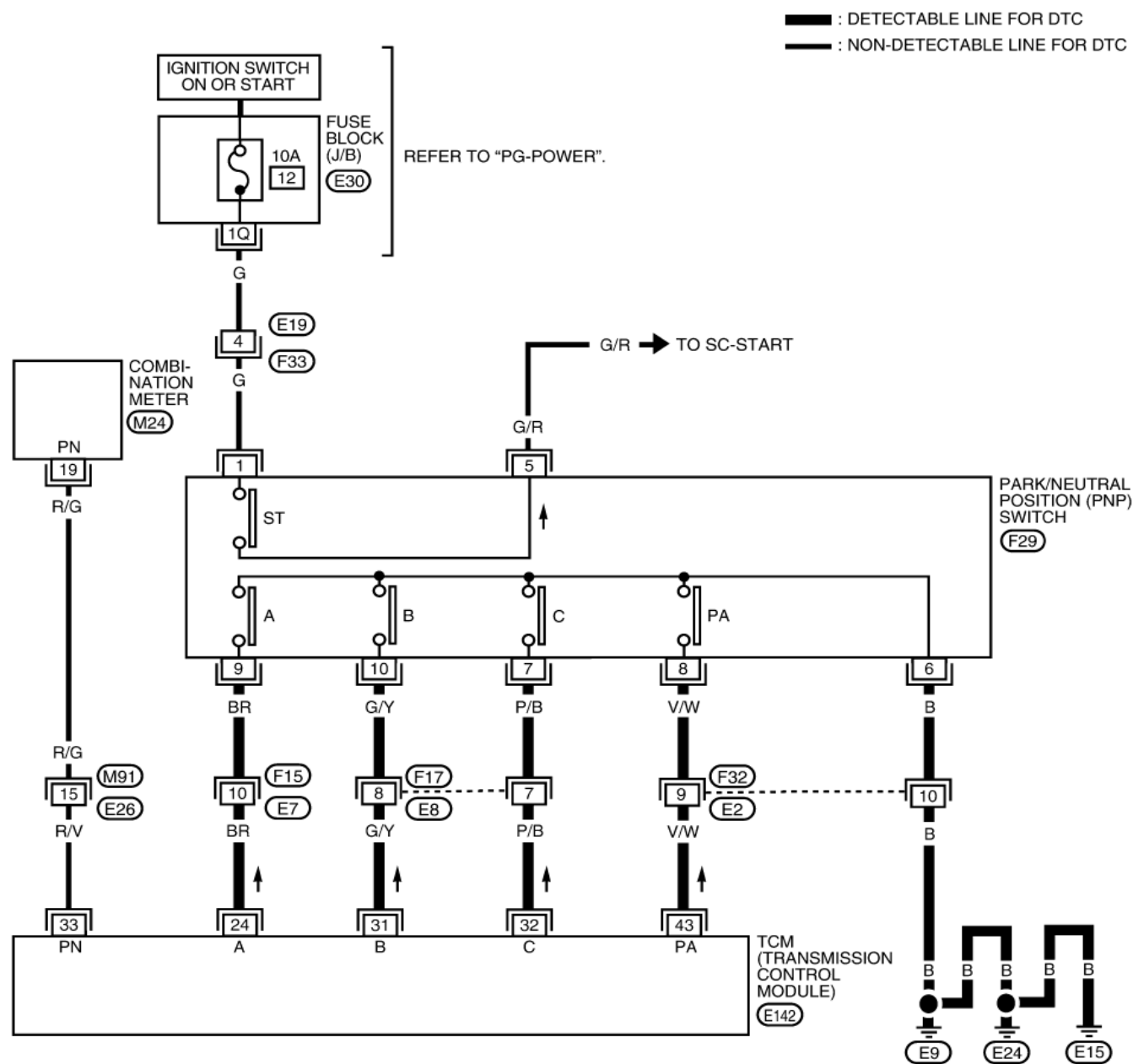


# 1. 变速器 CAN 电路图

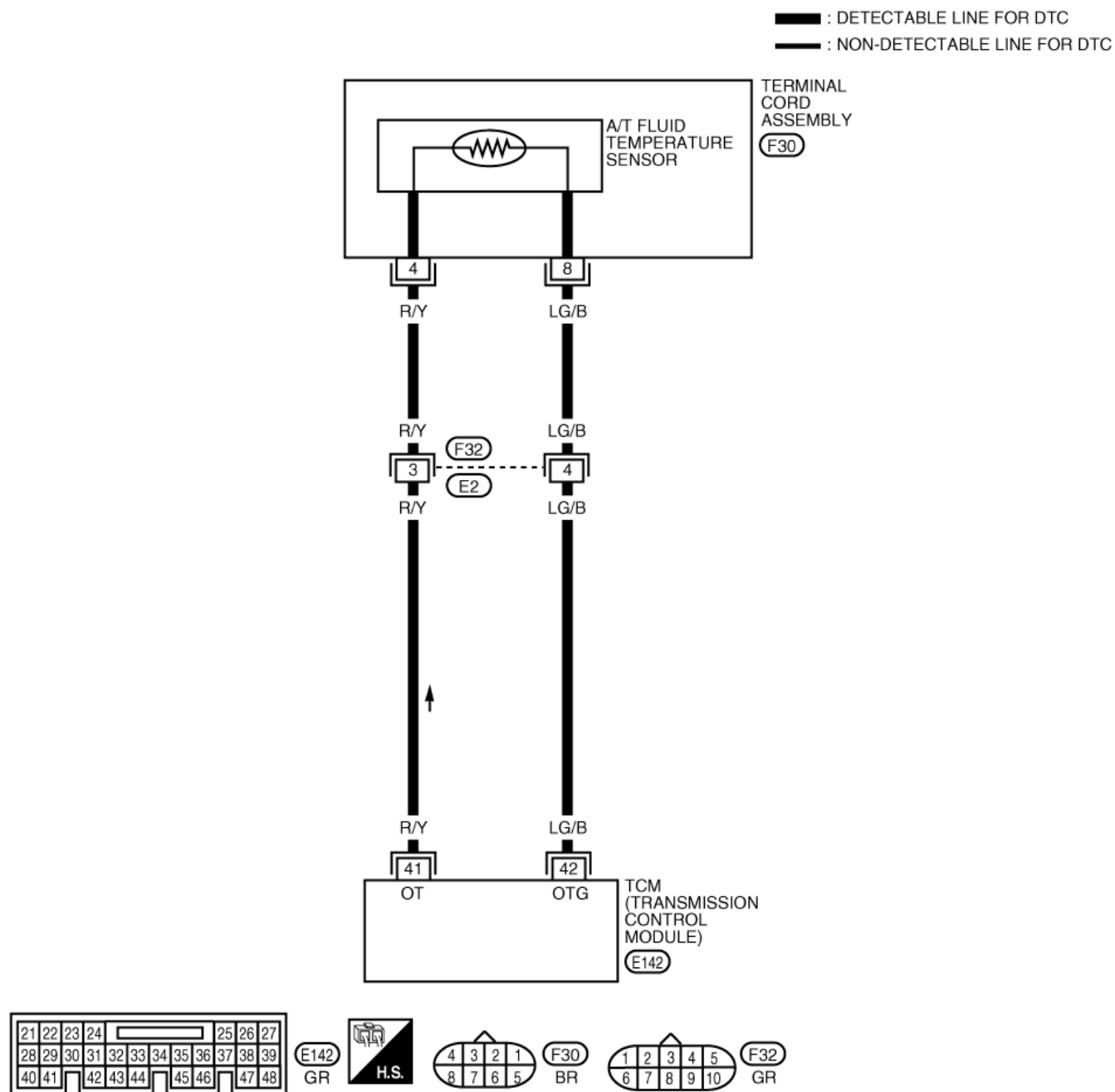
: DETECTABLE LINE FOR DTC  
 : NON-DETECTABLE LINE FOR DTC  
 : DATA LINE



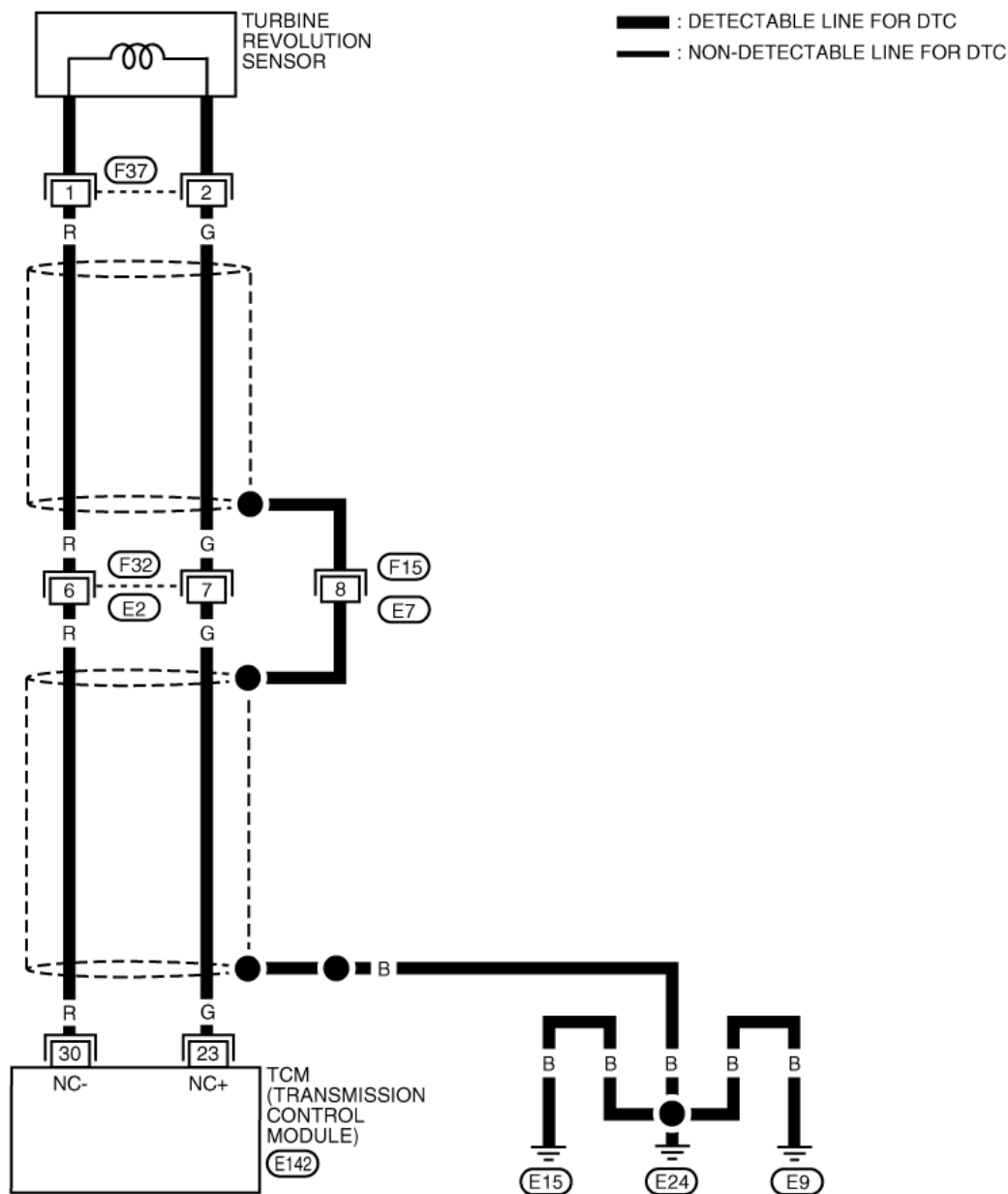
## 2. 停车/空挡位置开关电路图



### 3. 变速器油温传感器电路图



### 4. 涡轮转速传感器电路图



21	22	23	24	25	26	27					
28	29	30	31	32	33	34	35	36	37	38	39
40	41	42	43	44	45	46	47	48			

(E142)  
GR



1	2	3	4	5
6	7	8	9	10

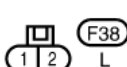
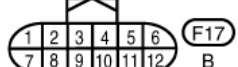
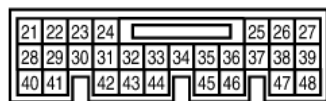
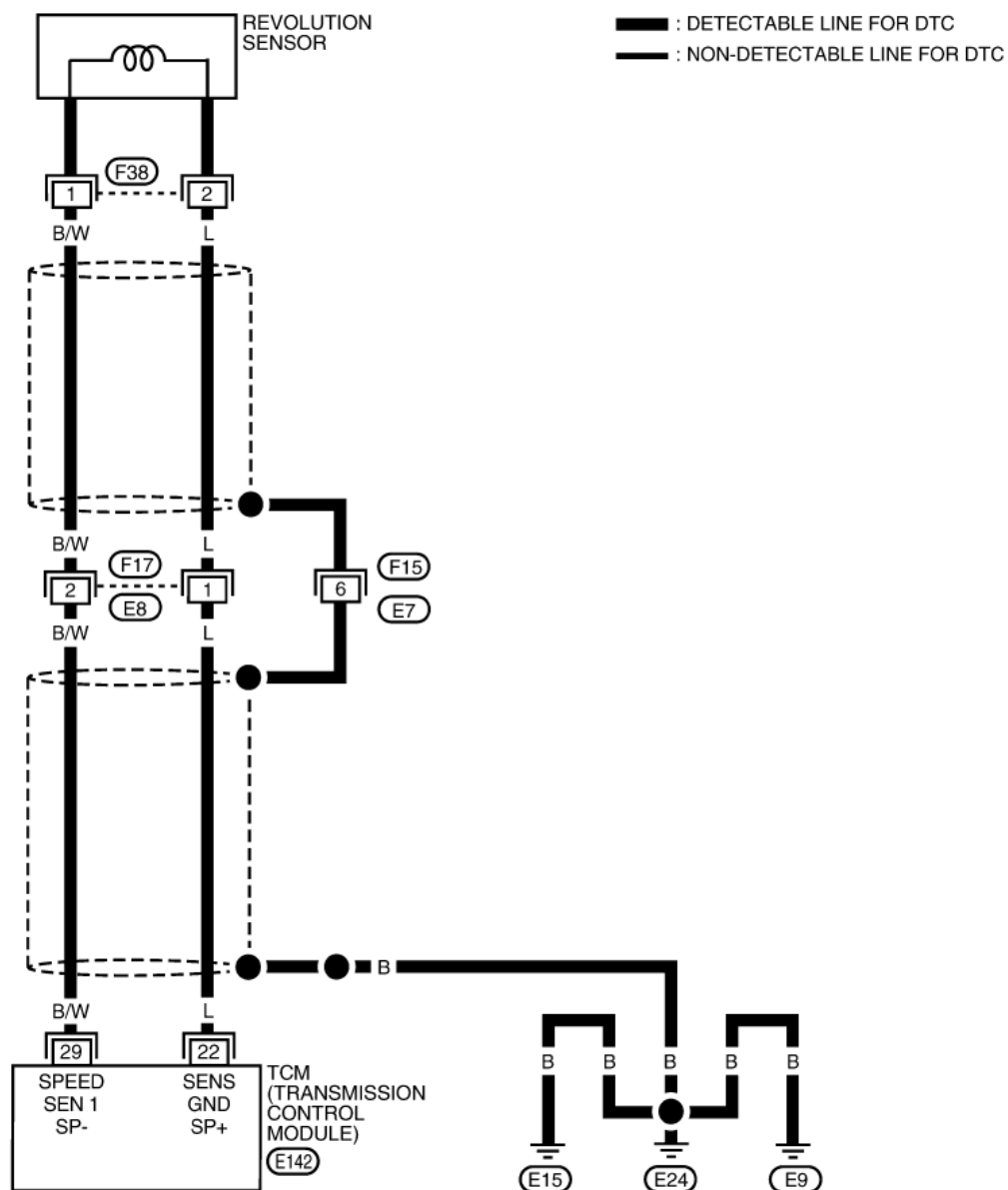
(F15)  
G

(F32)  
GR

(1 2)  
L

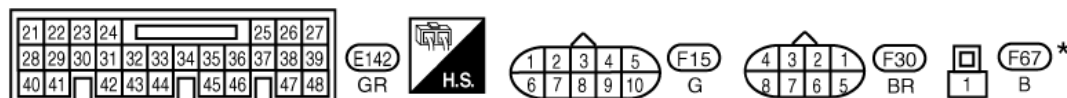
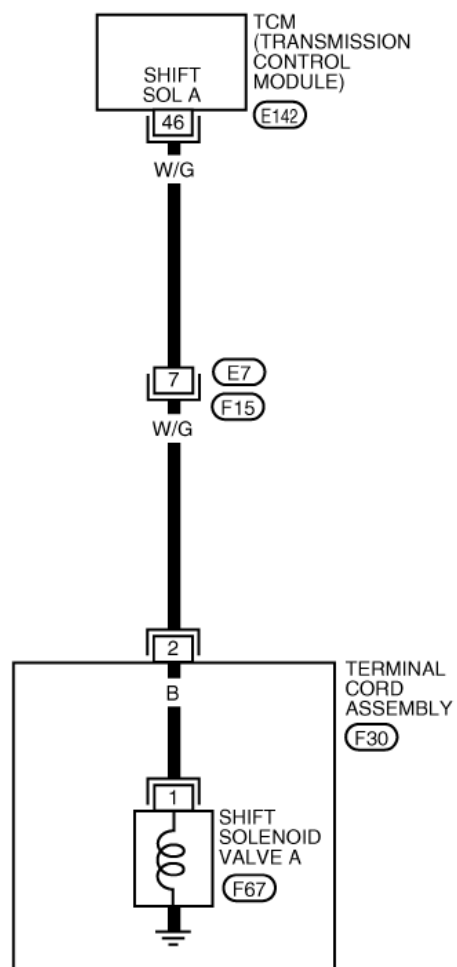
(F37)  
L

### 5. 车速传感器电路



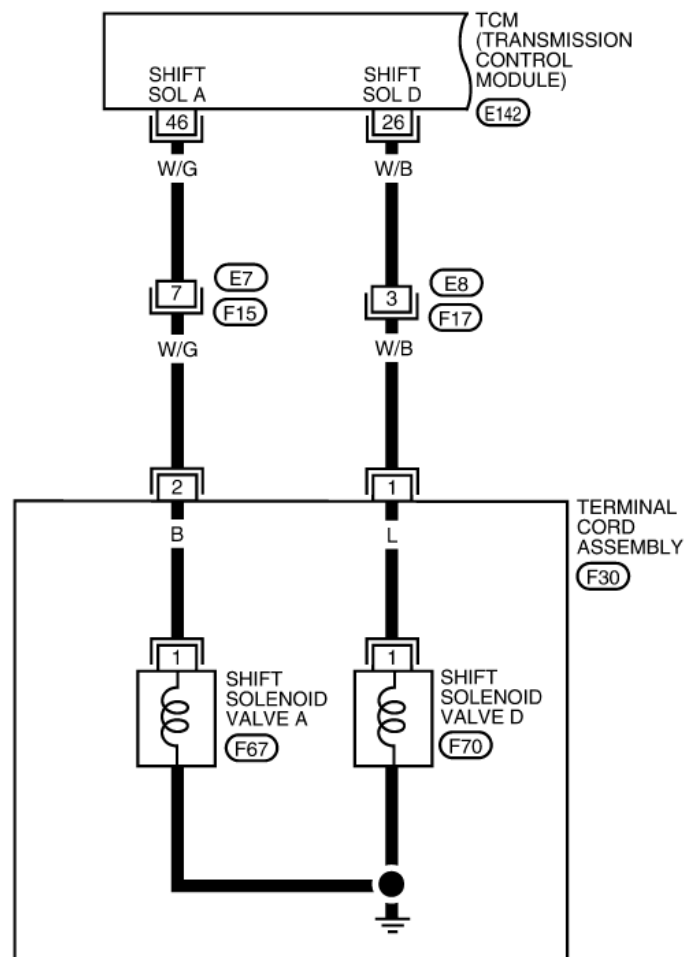
## 6. 变速器 1 档电路

: DETECTABLE LINE FOR DTC  
 : NON-DETECTABLE LINE FOR DTC



# 7. 变速器 2 档电路

: DETECTABLE LINE FOR DTC  
 : NON-DETECTABLE LINE FOR DTC



21	22	23	24	25	26	27					
28	29	30	31	32	33	34	35	36	37	38	39
40	41	42	43	44	45	46	47	48			

E142 GR



1	2	3	4	5
6	7	8	9	10

F15 G

1	2	3	4	5	6
7	8	9	10	11	12

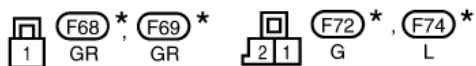
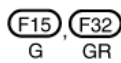
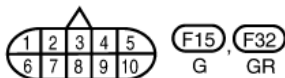
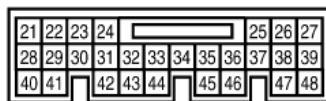
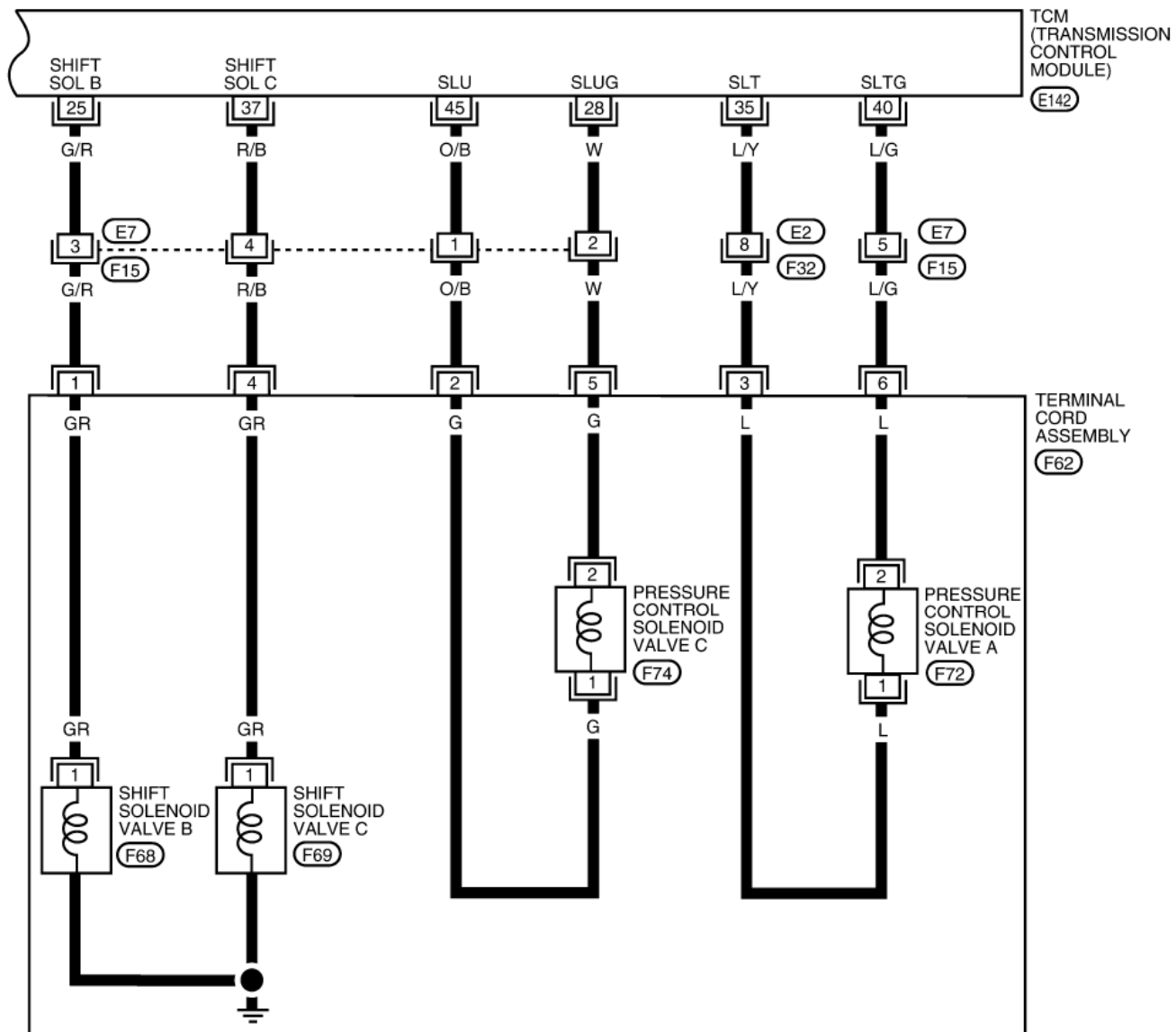
F17 B

4	3	2	1
8	7	6	5

F30 BR

1 (F67)\* B, (F70)\* L

— : DETECTABLE LINE FOR DTC  
 — : NON-DETECTABLE LINE FOR DTC



\* : THIS CONNECTOR IS NOT SHOWN IN "HARNESS LAYOUT" OF PG SECTION.