

2009日产贵士（Quest V42）电动座椅电路图

摘要：

该文档主要描述2009日产贵士（Quest V42）电动座椅电路图。

关键字：

2009 日产 贵士 Quest V42 电路图 电动座椅 座椅

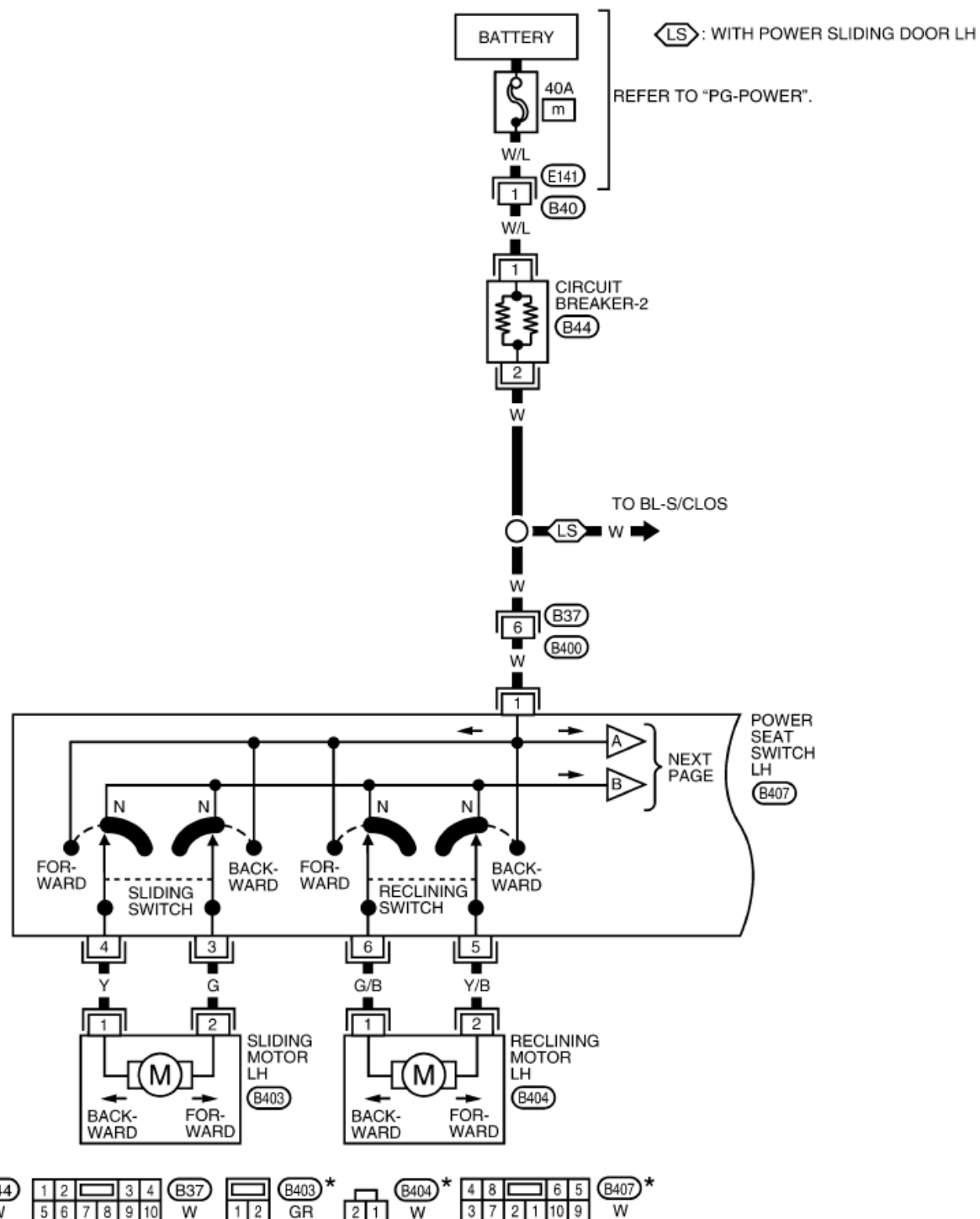
LAUNCH

目录

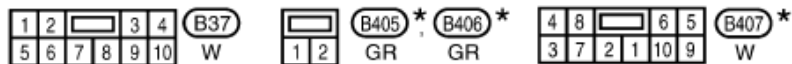
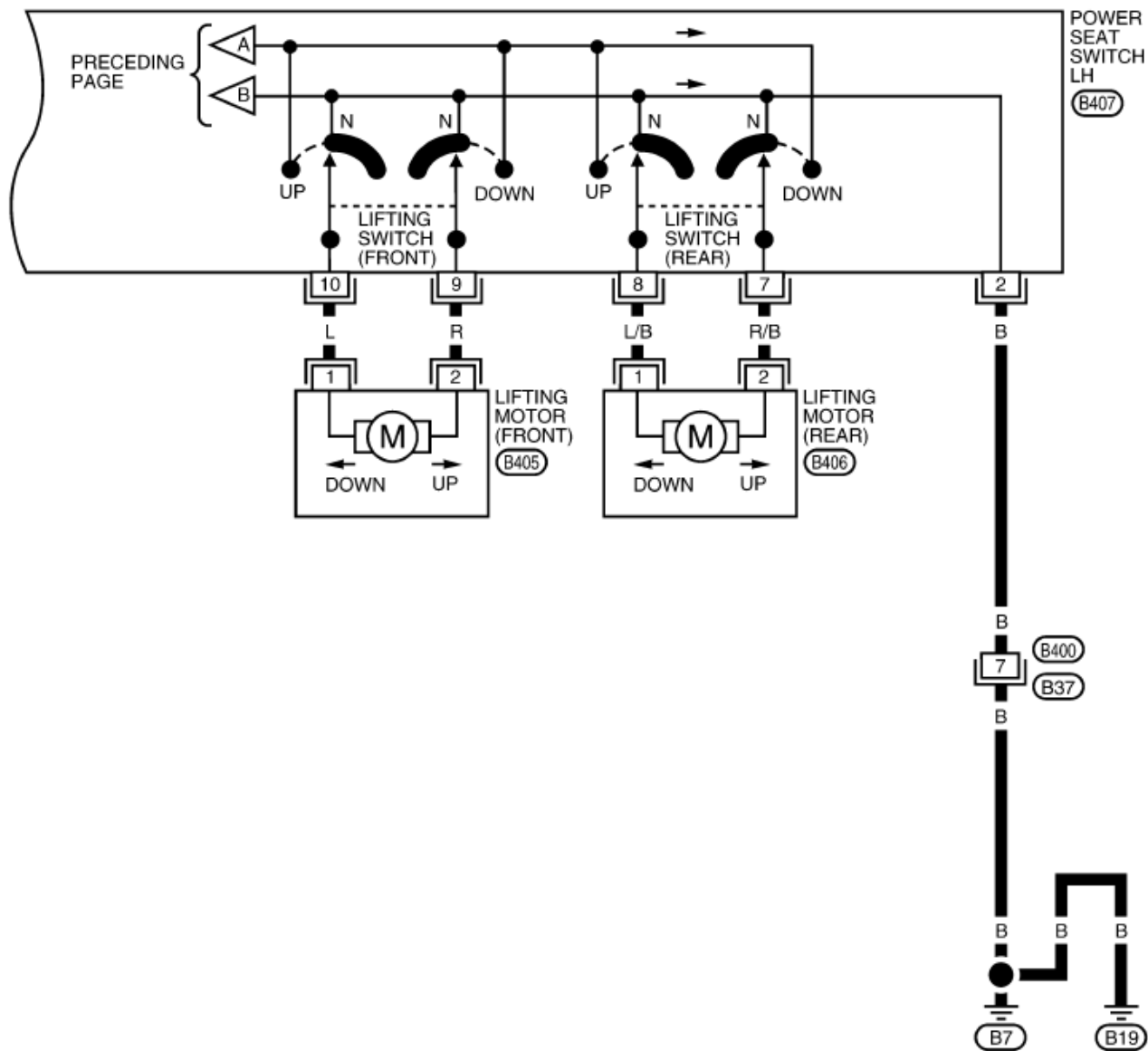
1. 电动座椅电路图.....	1
2. 座椅加热电路图.....	4

LAUNCH

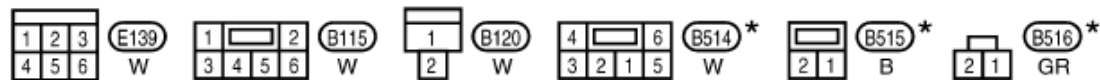
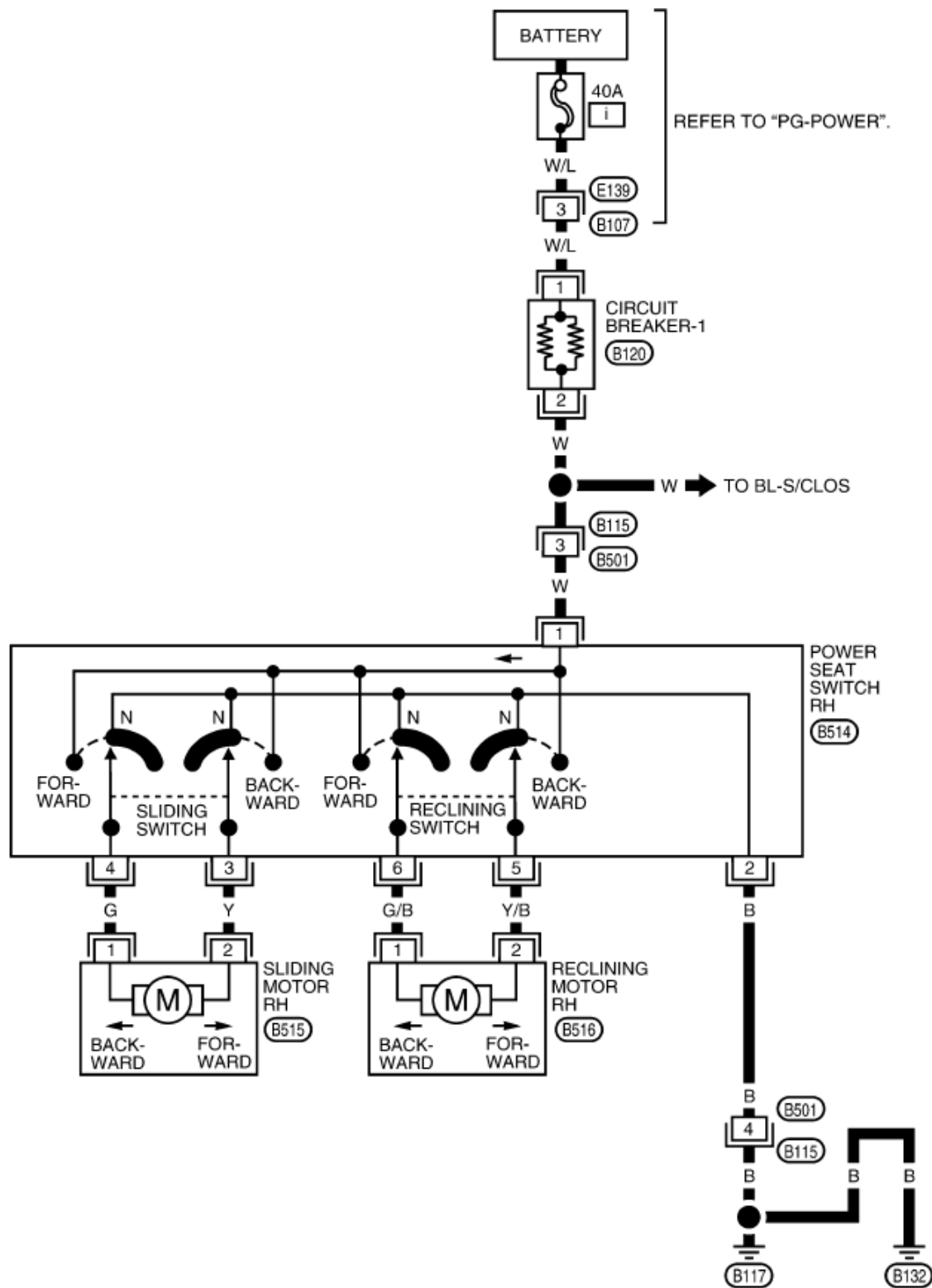
1. 电动座椅电路图



*: THIS CONNECTOR IS NOT SHOWN IN "HARNESS LAYOUT" OF PG SECTION.

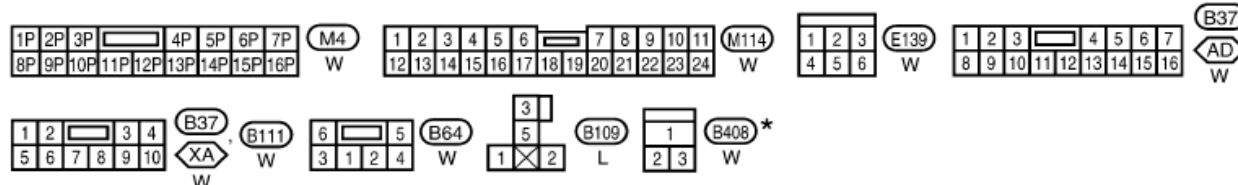
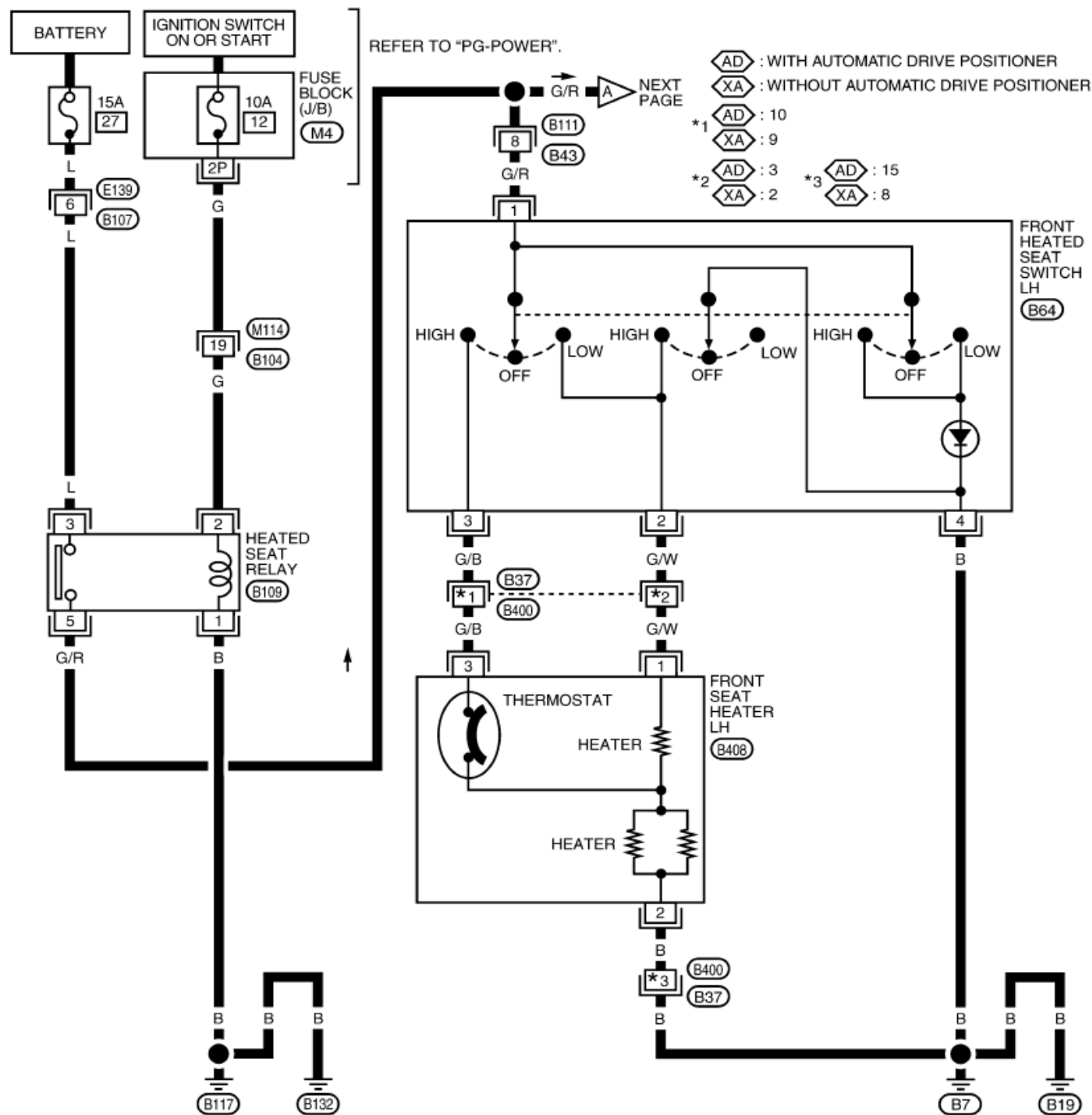


★: THIS CONNECTOR IS NOT SHOWN IN "HARNESS LAYOUT" OF PG SECTION.

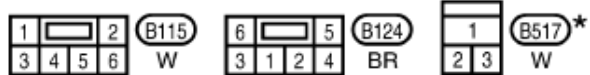
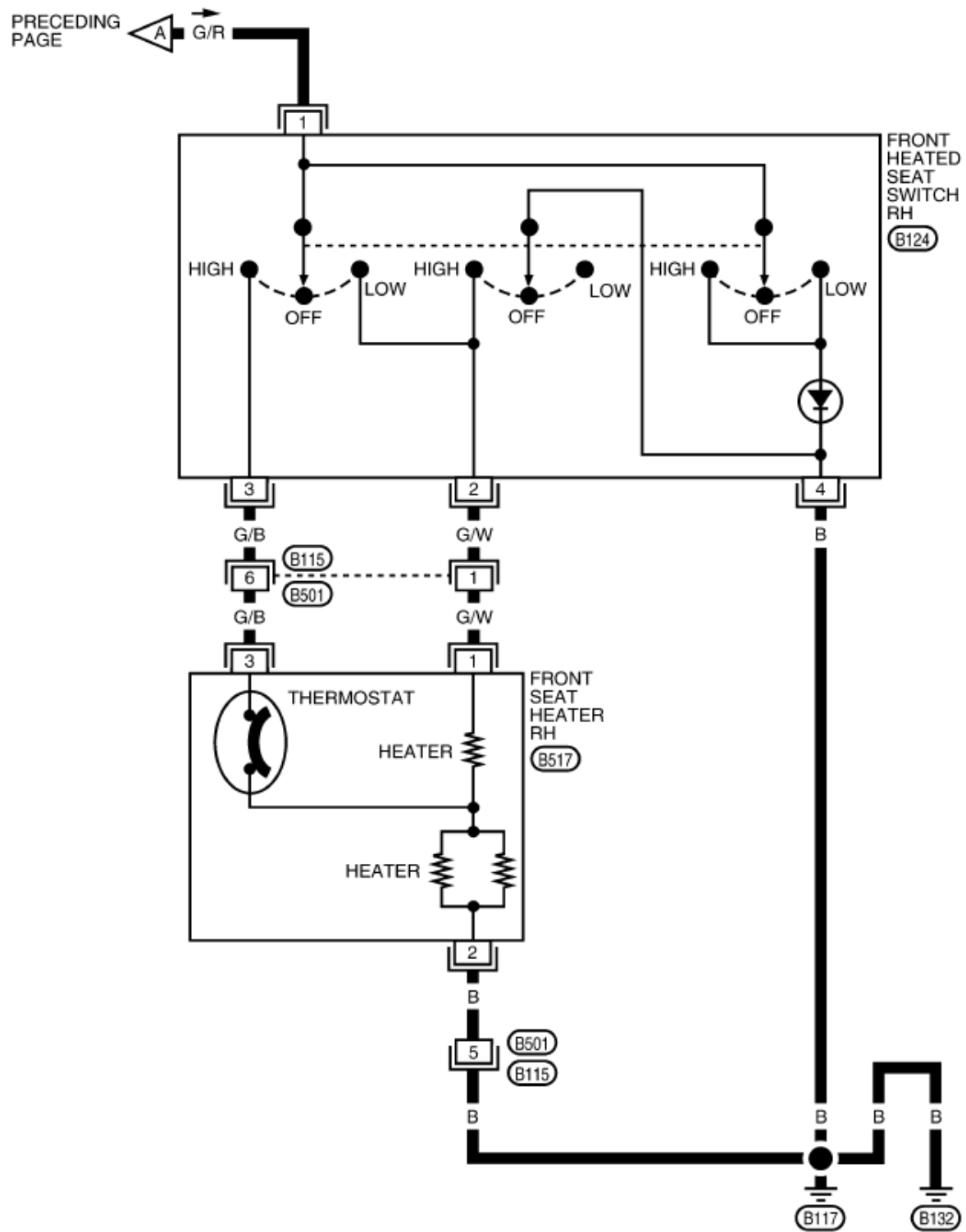


*: THIS CONNECTOR IS NOT SHOWN IN "HARNESS LAYOUT" OF PG SECTION.

2. 座椅加热电路图



*: THIS CONNECTOR IS NOT SHOWN IN "HARNESS LAYOUT" OF PG SECTION.



* : THIS CONNECTOR IS NOT SHOWN IN "HARNESS LAYOUT" OF PG SECTION.