

2009日产贵士（Quest V42）手动空调系统电路图

摘要：

该文档主要描述2009日产贵士（Quest V42）手动空调系统电路图。

关键字：

2009 日产 贵士 Quest V42 电路图 手动空调 A/C

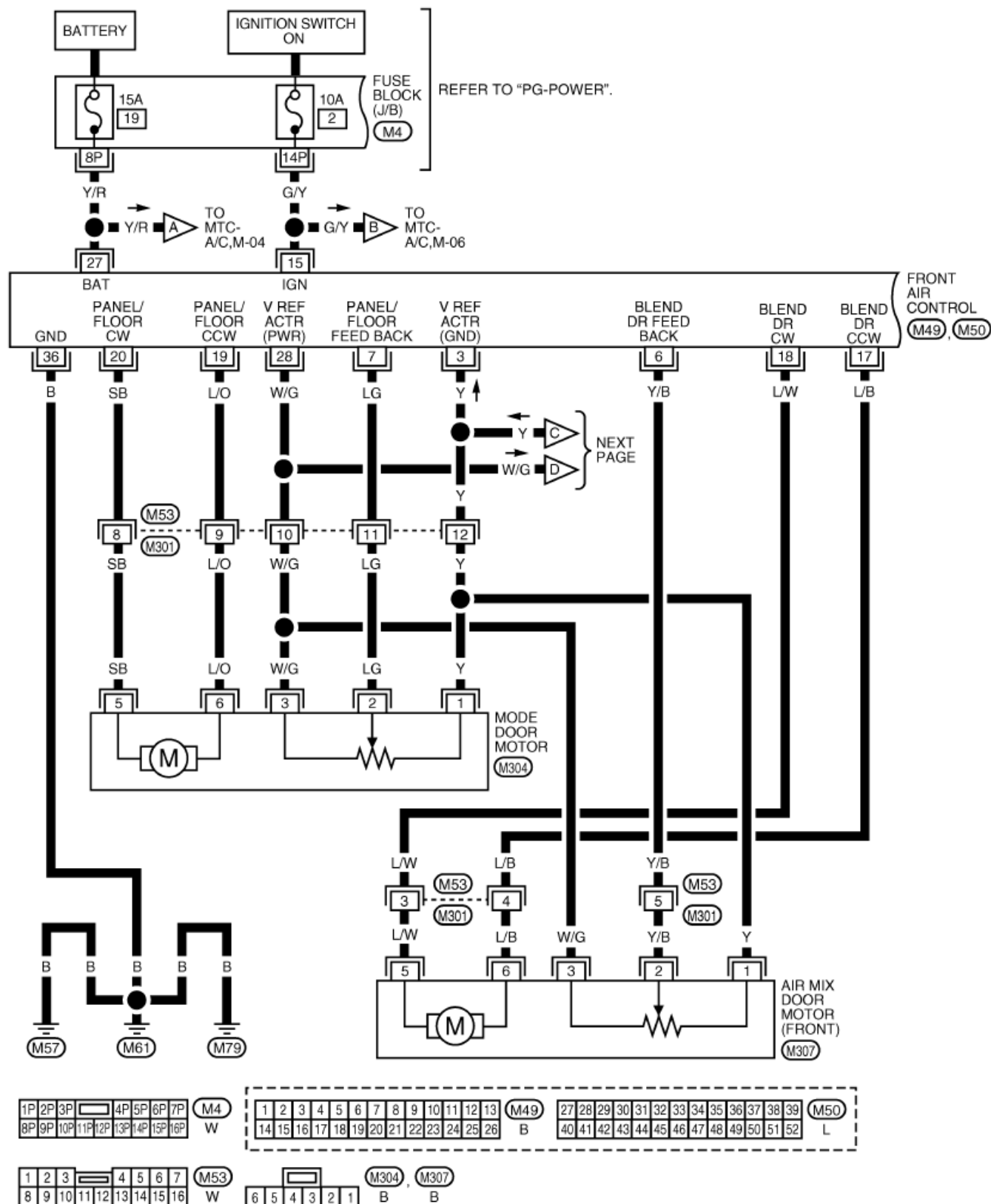
LAUNCH

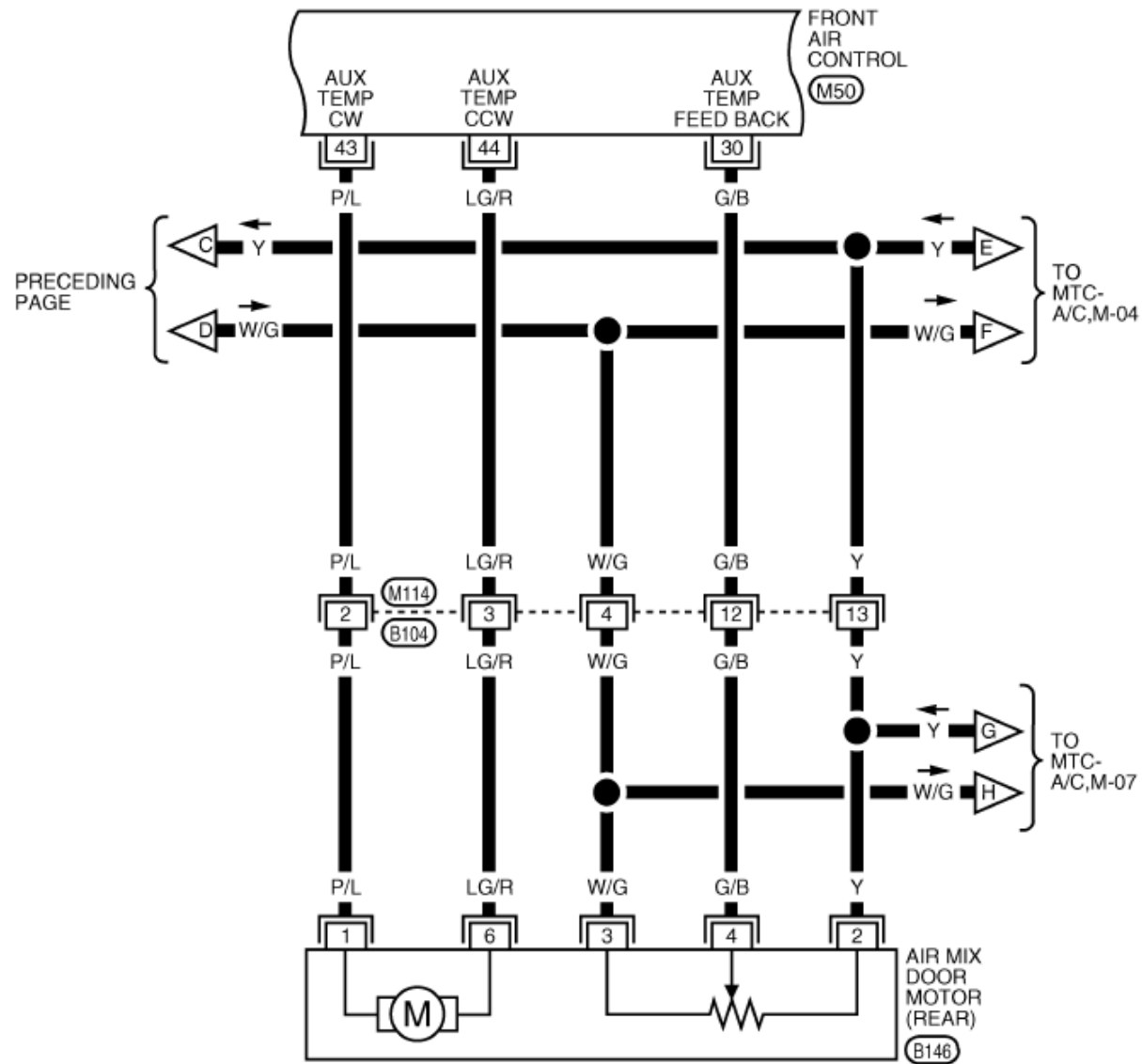
目录

1. 空调系统电路图..... 1

LAUNCH

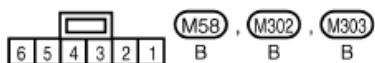
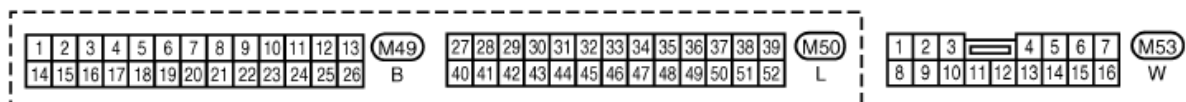
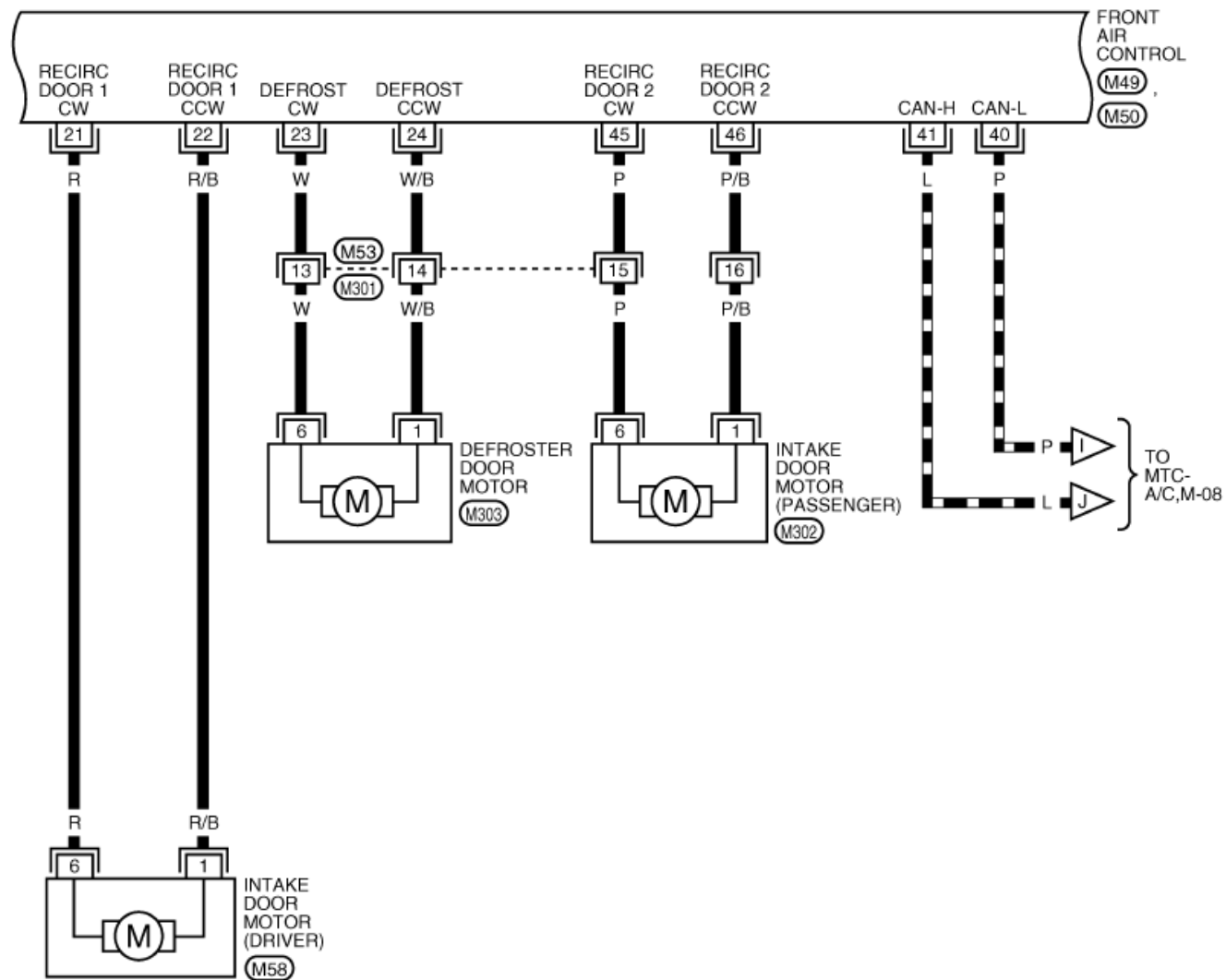
1. 空调系统电路图

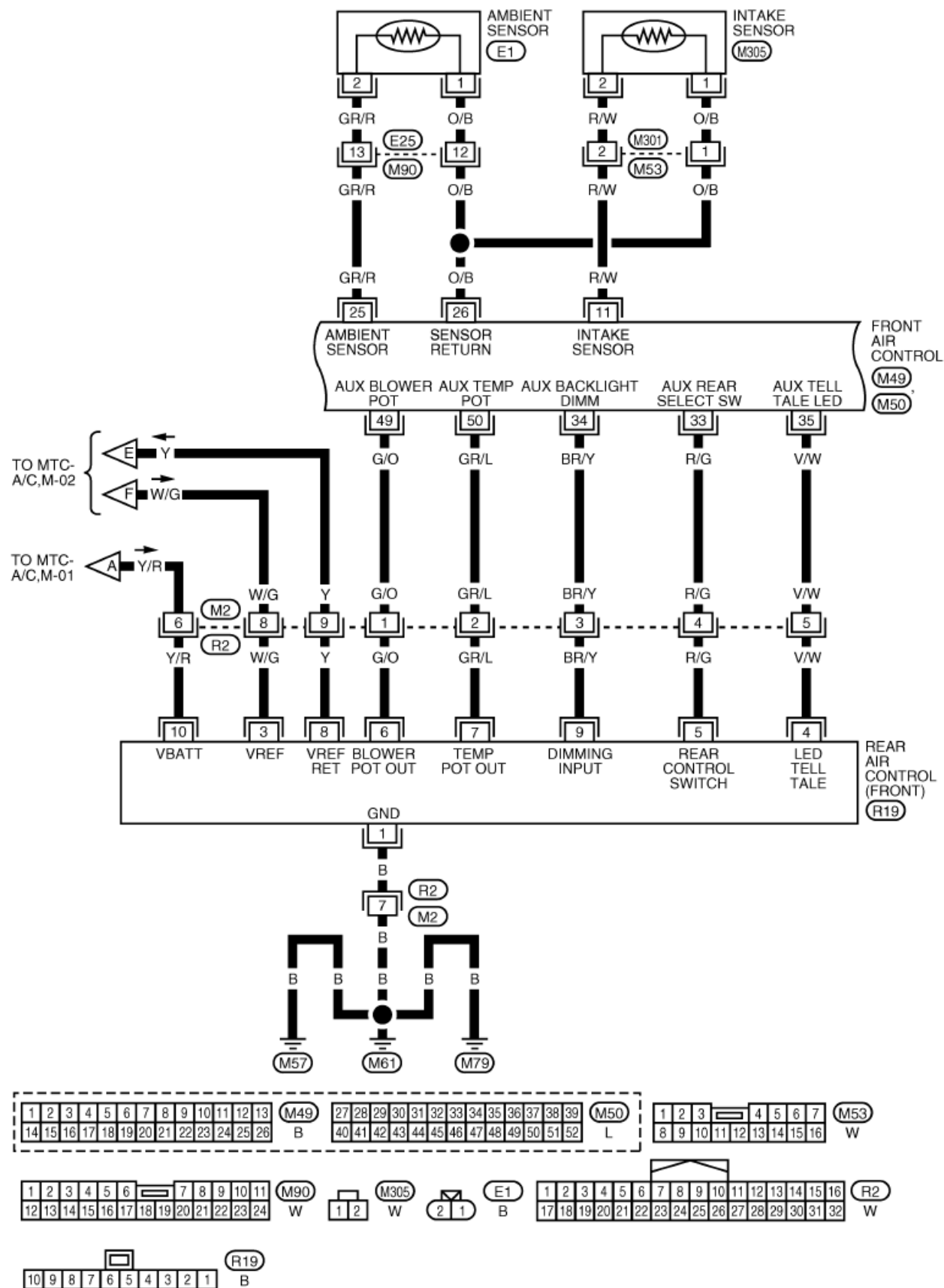


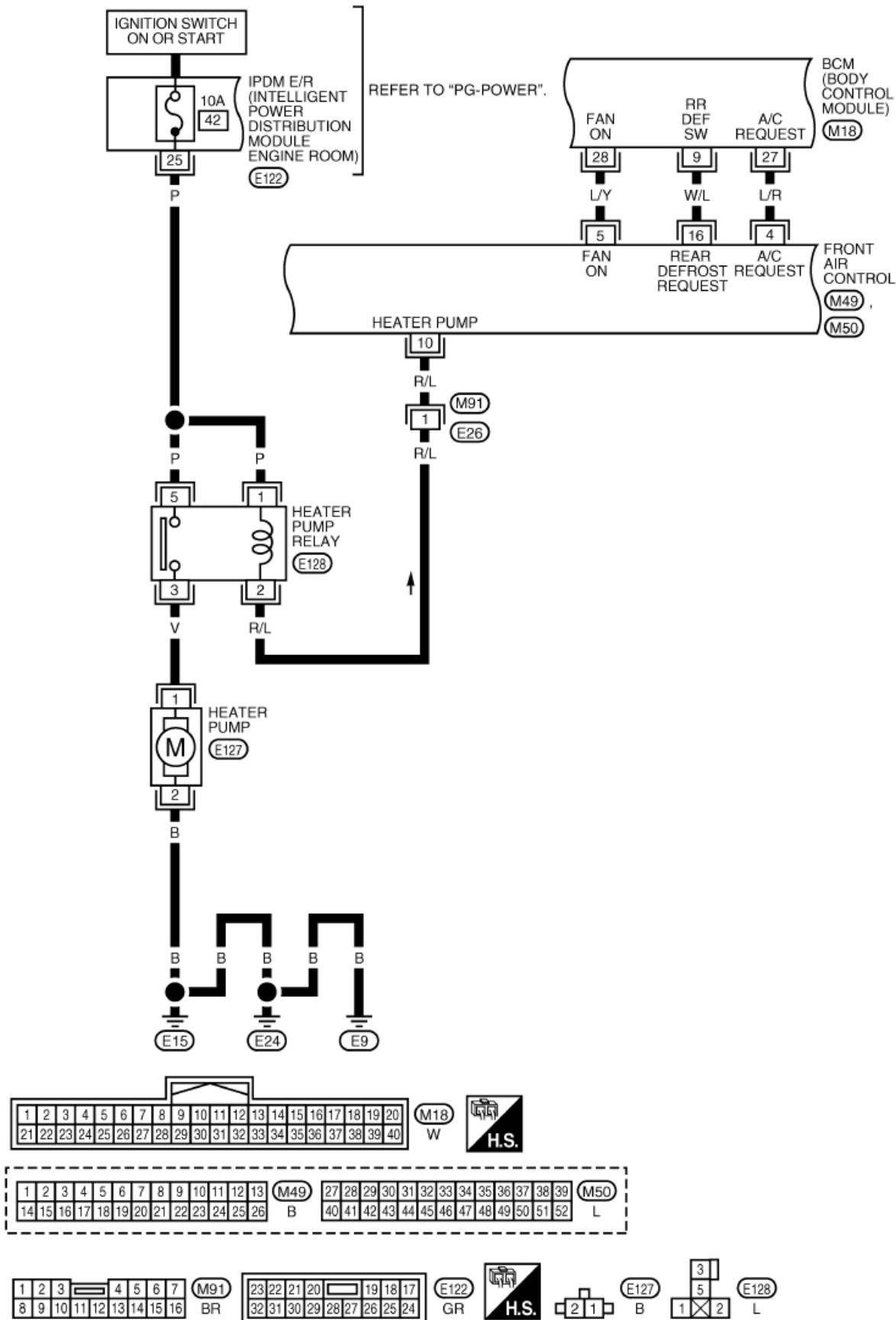


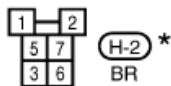
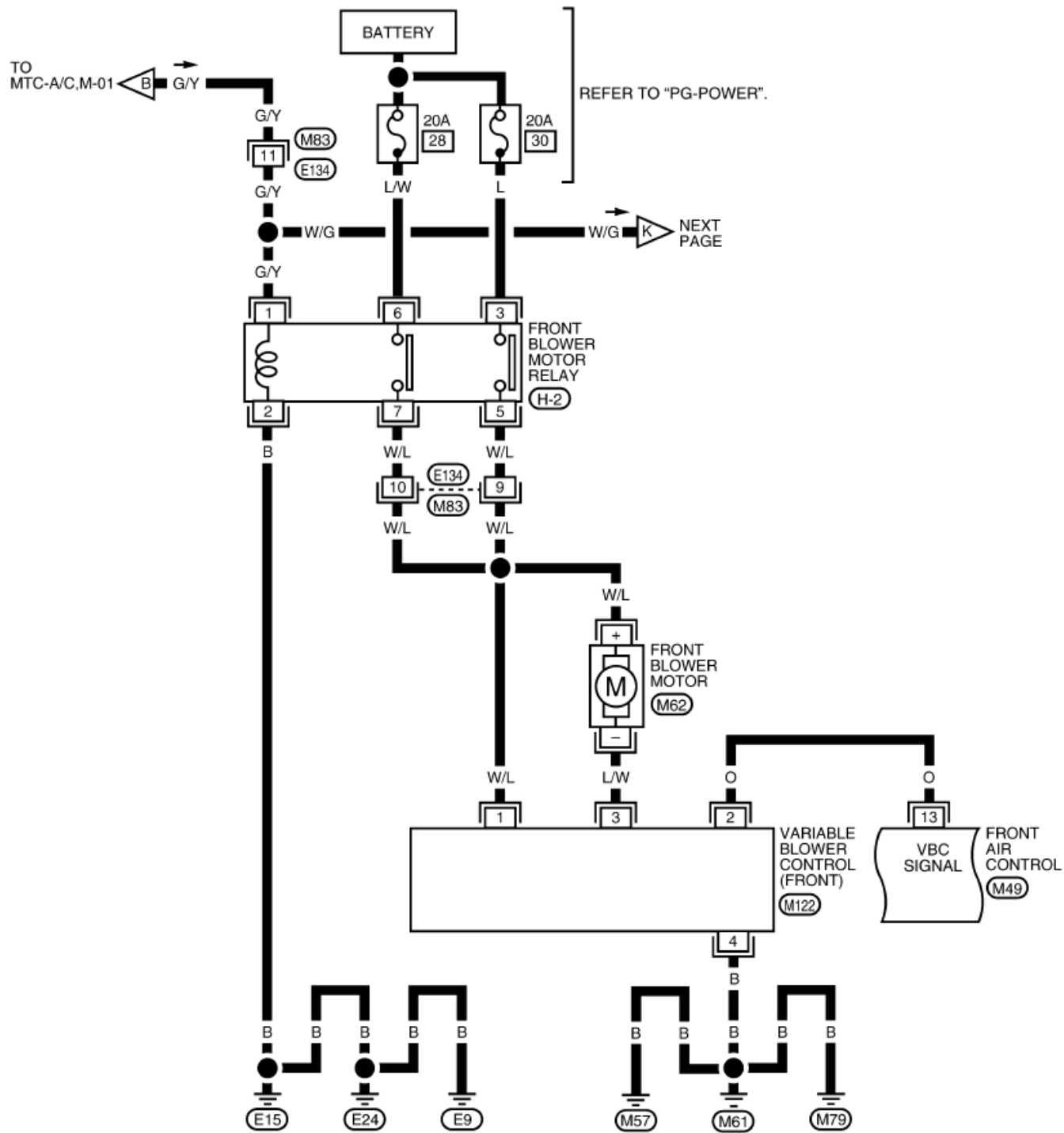
27	28	29	30	31	32	33	34	35	36	37	38	39	(M50)	1	2	3	4	5	6	7	8	9	10	11	(M114)	6	5	4	3	2	1	(B146)		
40	41	42	43	44	45	46	47	48	49	50	51	52	L	12	13	14	15	16	17	18	19	20	21	22	23	24	W							B

— : DATA LINE

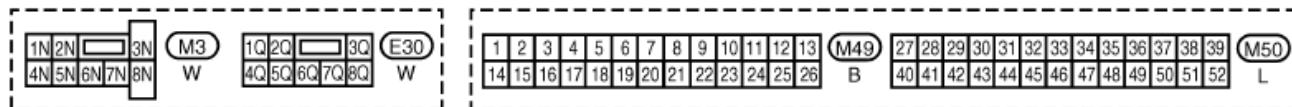
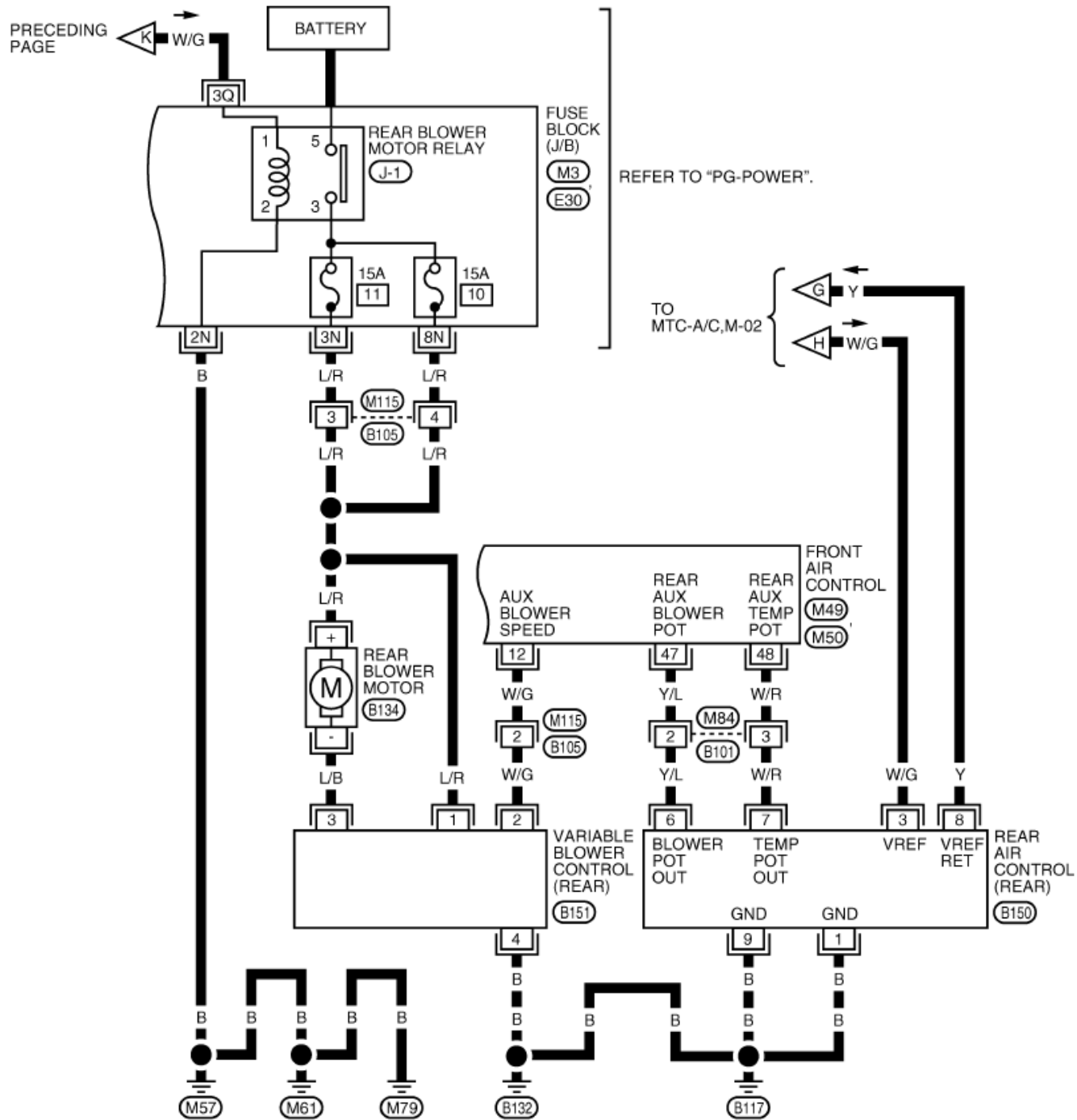




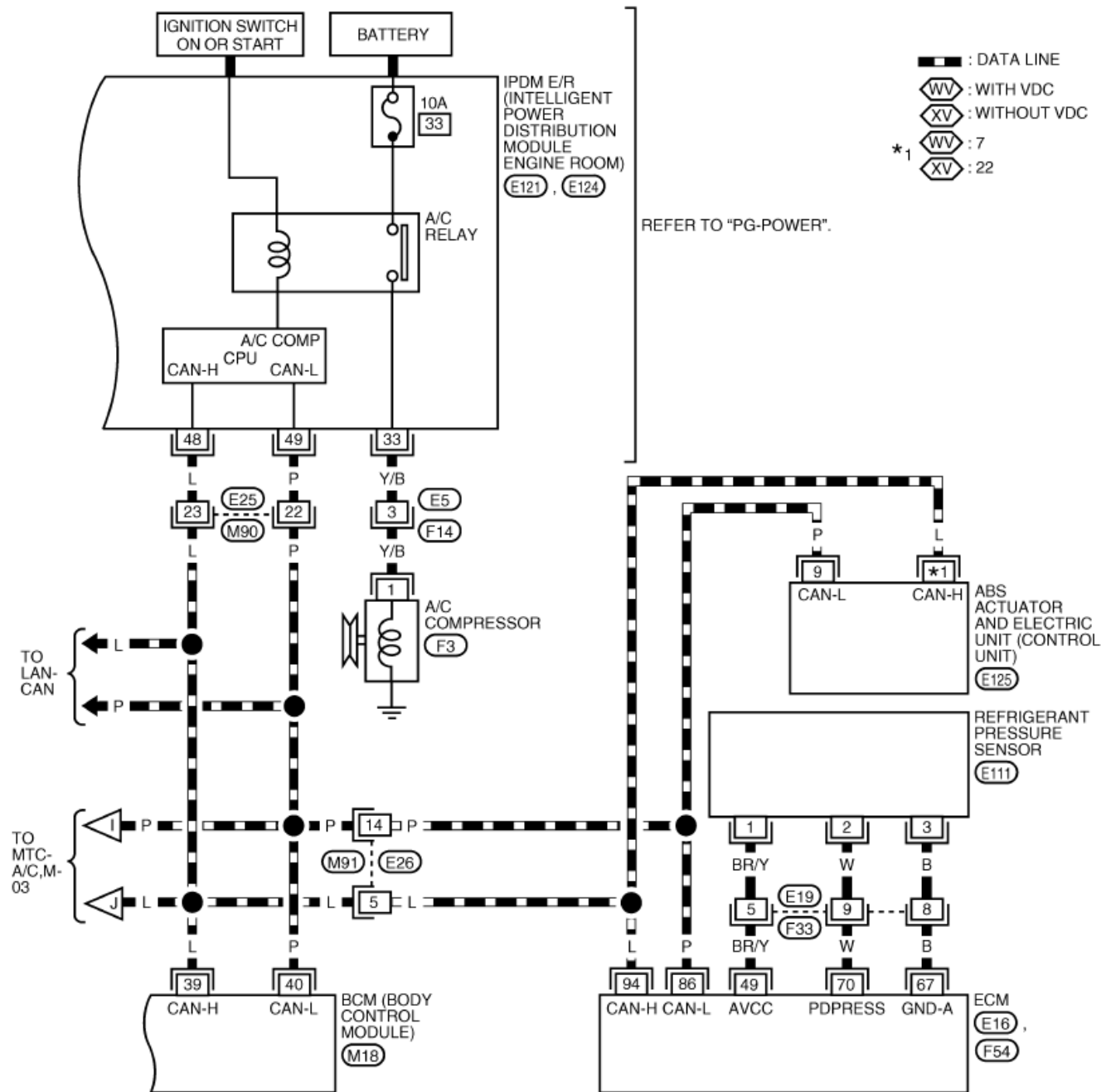




* : THIS CONNECTOR IS NOT SHOWN IN "HARNESS LAYOUT" OF PG SECTION.



*: THIS CONNECTOR IS NOT SHOWN IN "HARNESS LAYOUT" OF PG SECTION.



■ : DATA LINE
 (WV) : WITH VDC
 (XV) : WITHOUT VDC
 *1 (WV) : 7
 (XV) : 22

REFER TO THE FOLLOWING.
 (E16), (E125), (F54)
 - ELECTRICAL UNITS

