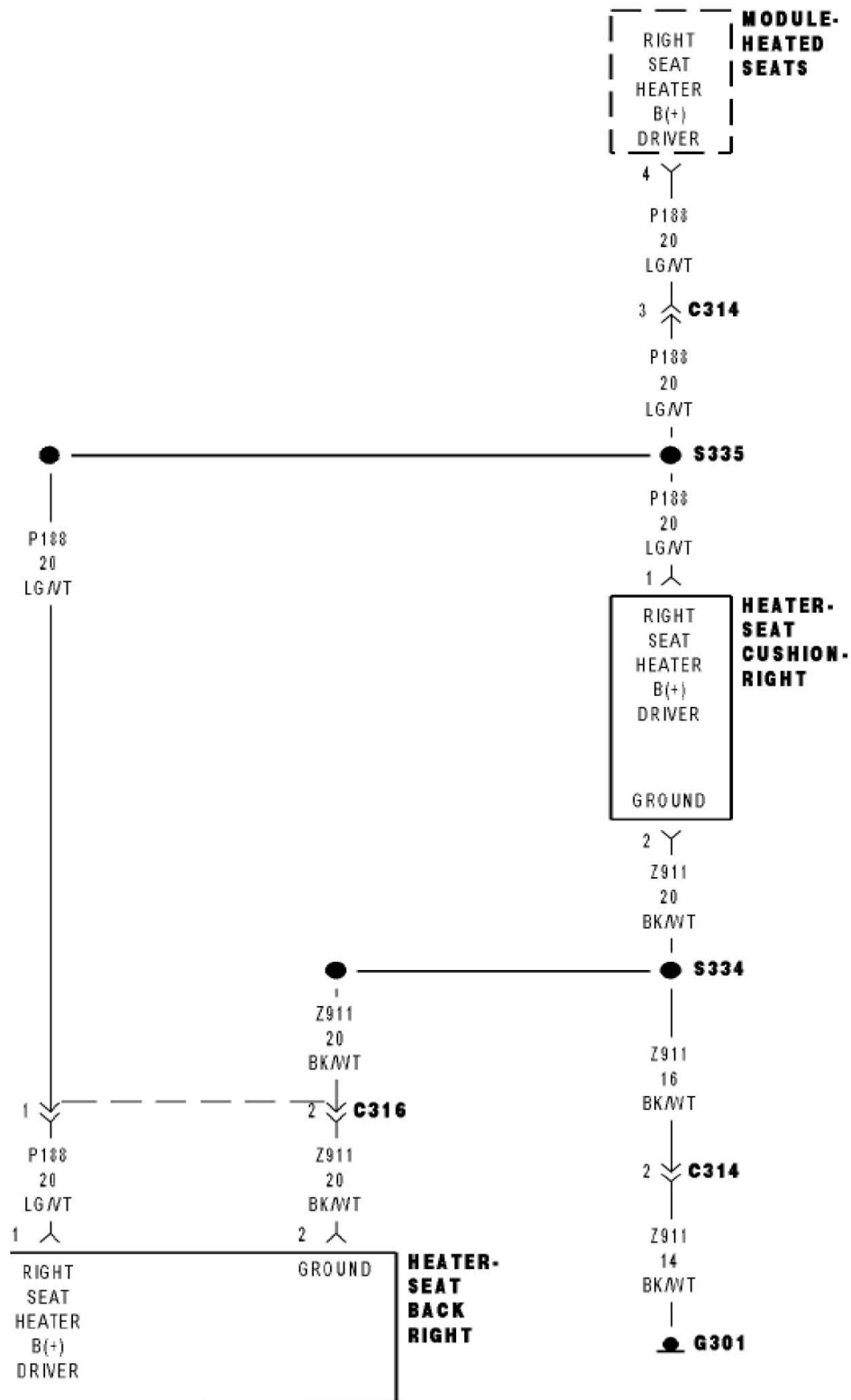
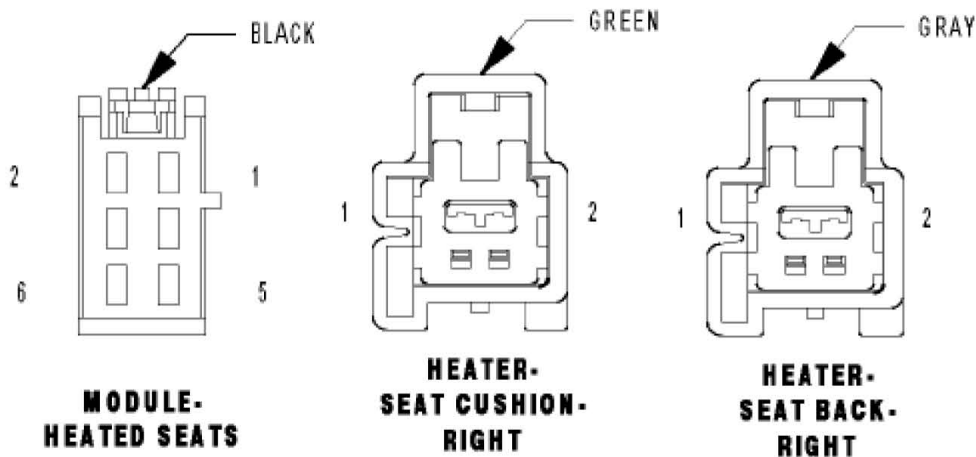


B1098 FRONT RIGHT SEAT HEATER CONTROL CIRCUIT OPEN





- 1). When Monitored:
Ignition on, during the heated seat operation.
- 2). Set Condition:
This code is set immediately after the Heated Seat Module detects an open in the seat heatB(+) driver circuit.

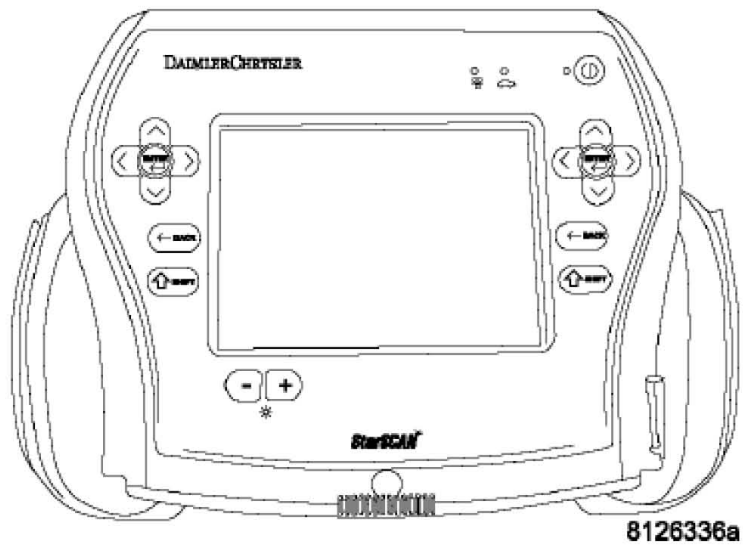
Possible Causes
1. (P188) PASSENGER SEAT HEATER B(+) DRIVER WIRE OPEN 2. (Z911) GROUND WIRE OPEN 3. SEAT CUSHION HEATER ELEMENT OPEN 4. SEAT BACK HEATER ELEMENT OPEN 5. HEATED SEAT MODULE

Diagnostic Test

- 1). VERIFY THAT DTC B1098-FRONT RIGHT SEAT HEATER CONTROL CIRCUIT OPEN IS ACTIVE
 With the scan tool, record and erase DTC's
 Operate the Heated Seat Switch in both positions several times.
 With the scan tool, read DTC's.
 Does the DTC B1098 FRONT RIGHT SEAT HEATER CONTROL CIRCUIT OPEN reset?

Yes >> Go To 2

No >> The conditions that caused this code to set are not present at this time. Using the wiring diagram/schematic as a guide, inspect the wiring and connectors.
 Perform BODY VERIFICATION TEST – VER 1.



2). CHECK FOR AN OPEN SEAT HEATER ELEMENT

Disconnect the Right Seat Cushion Heater 2 – way connector.

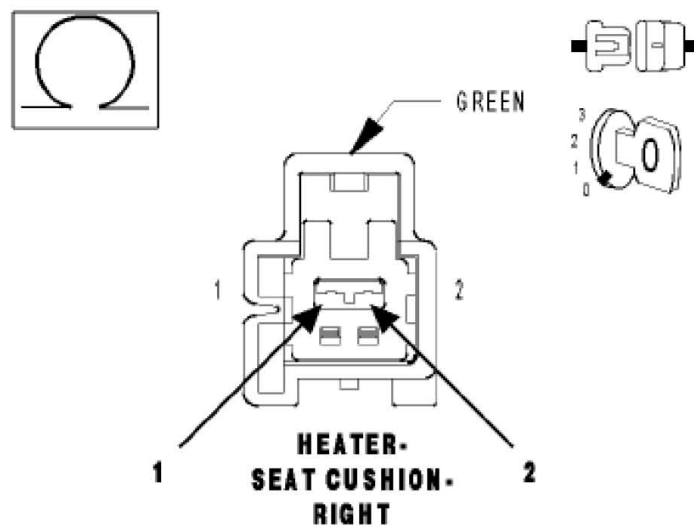
NOTE: Check connectors - Clean and repair as necessary.

Measure the total resistance of the cushion and seat back heater elements at the Right Seat Cushion Heater 2 – way connector (seat side).

Is the total resistance 2.5 ohms + or – .5 ohms?

Yes >> Go To 4

No >> Go To 3



3). CHECK THE RIGHT SEAT BACK PAD HEATER RESISTANCE

Disconnect the Right Seat Back Heater 2 – way connector.

NOTE: Check connectors - Clean and repair as necessary.

Check the resistance of the seat back heater element by measuring between the (P188) Right Seat Heater B(+) Driver and the Ground circuit at the Right seat back heater connector.

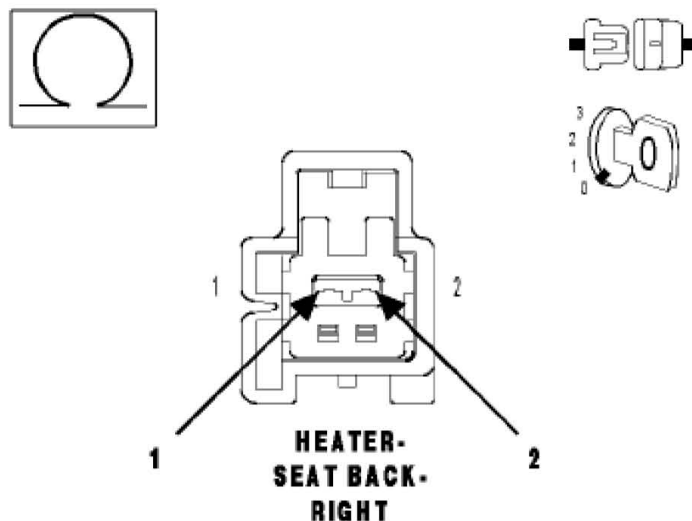
Is the resistance above 5.8 ohms?

Yes >> Repair the open pigtail harness or replace the seat back heater element as necessary.

Perform BODY VERIFICATION TEST – VER 1.

No >> Repair the open pigtail harness or replace the seat cushion heater element as necessary.

Perform BODY VERIFICATION TEST – VER 1.



4). CHECK THE RIGHT SEAT HEATER GROUND CIRCUIT RESISTANCE

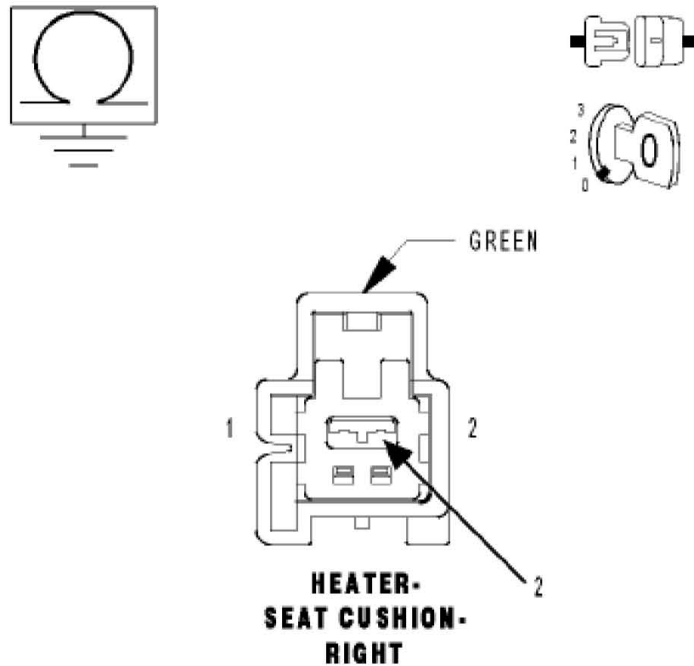
Measure the resistance of the Ground circuit at the Right Seat Cushion Heater 2 – way connector (harness side).

Was the resistance below 5.0 ohms?

Yes >> Go To 5

No >> Repair the open ground circuit.

Perform BODY VERIFICATION TEST – VER 1.



- 5). Check the (P188) Right Seat Heater B(+) Driver circuit for an open.
Disconnect the Heated Seat Module connector.

NOTE: Check connectors - Clean and repair as necessary.

Measure the (P188) Right Seat Heater B(+) Driver circuit from the Right Seat Cushion Heater connector to the HSM connector.

Is the resistance below 5.0 ohms?

Yes >> Replace the Heated Seat Module.

Perform BODY VERIFICATION TEST – VER 1.

No >> Repair the (P188) Right Seat Heater B(+) Driver circuit for an open.

Perform BODY VERIFICATION TEST – VER 1.

