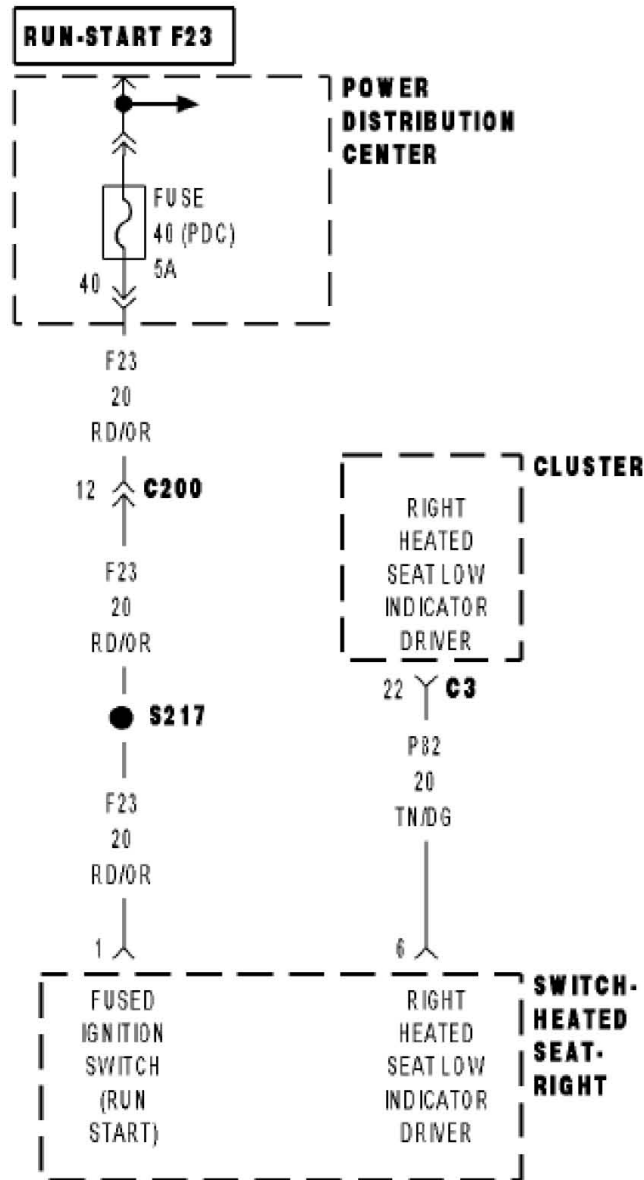
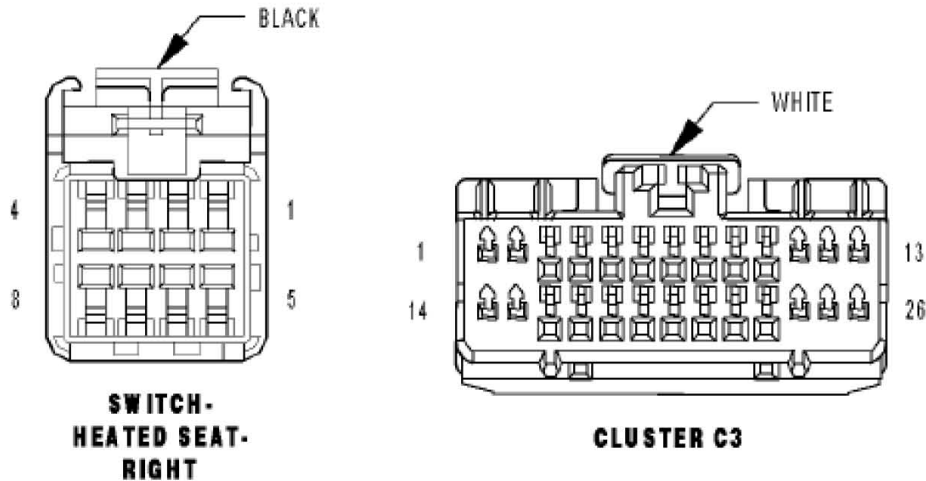


B1223 RIGHT HEATED SEAT LOW INDICATOR CONTROL CIRCUIT OPEN





- 1). When Monitored:
Continuously with the ignition on.
- 2). Set Condition:
This code is set immediately when the Cluster detects excessive voltage on the heated seat indicator control circuit.

Possible Causes

1. PDC FUSE #8
2. PDC FUSE #40
3. (F23) FUSED IGNITION SWITCH OUTPUT (RUN-START) CIRCUIT OPEN
4. (P82) RIGHT HEATED SEAT LOW INDICATOR DRIVER CIRCUIT
OPEN/SHORTED TO GROUND
5. RIGHT HEATED SEAT SWITCH
6. CLUSTER

Diagnostic Test

- 1). VERIFY THAT DTC B1223-RIGHT HEATED SEAT LO INDICATOR CONTROL CIRCUIT OPEN IS ACTIVE
With the scan tool, record and erase DTC's
Operate the Heated Seat Switch in both positions several times.
With the scan tool, read DTC's.

Does the DTC B1223-RIGHT HEATED SEAT LO INDICATOR CONTROL CIRCUIT OPEN reset?

Yes >> Go To 2

No >> The conditions that caused this code to set are not present at this time. Using the wiring diagram/schematic as a guide, inspect the wiring and connectors.
Perform BODY VERIFICATION TEST – VER 1.



2). INSPECT PDC FUSES

Check PDC fuses #8 and #40.

Is either fuse open?

Yes >> Check for a possible short to ground on the (F23) Fused Ignition Switch Output (Run-Start) Circuit and replace the fuse as necessary.
Perform BODY VERIFICATION TEST – VER 1.

No >> Go To 3

3). DISCONNECT THE CLUSTER C-3 CONNECTOR AND CHECK FOR VOLTAGE

Reinstall fuse if removed in previous test.

Disconnect the Cluster C-3 connector.

NOTE: Check connectors - Clean and repair as necessary.

Turn the ignition on.

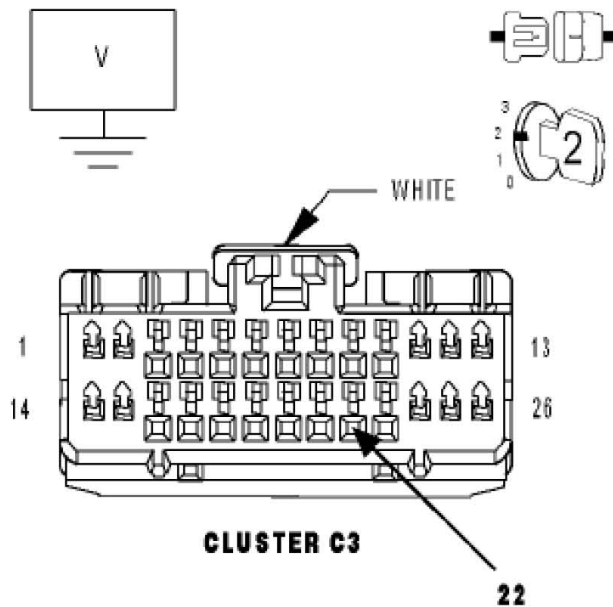
Measure the voltage at the (P82) Right Heated Seat Low Indicator

Driver circuit at the Cluster C-3 connector.

Is the voltage above 10.0 volts?

Yes >> Replace the Cluster in accordance with the Service Information.
Perform BODY VERIFICATION TEST – VER 1.

No >> Go To 4



4). CHECK THE (F23) FUSED IGNITION SWITCH OUTPUT (RUN-START)

Disconnect the Right Heated Seat switch connector.

NOTE: Check connectors - Clean and repair as necessary.

Turn the ignition on.

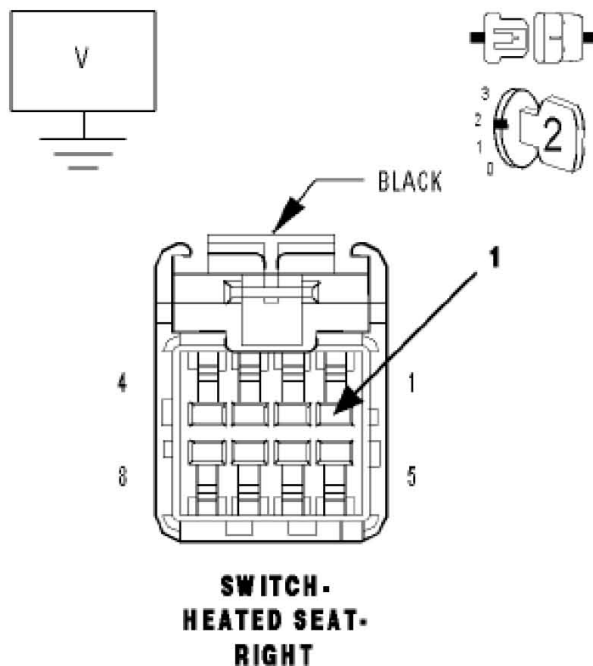
Measure the voltage of the (F23) Fused Ignition Switch Output circuit at the Right Heated Seat Switch connector.

Is the voltage above 10.0 volts ?

Yes >> Go To 5

No >> Repair the (F23) Fused Ignition Switch Output circuit for an open.

Perform BODY VERIFICATION TEST – VER 1.



5). CHECK THE (P82) RIGHT HEATED SEAT LO INDICATOR DRIVER CIRCUIT FOR A SHORT TO GROUND

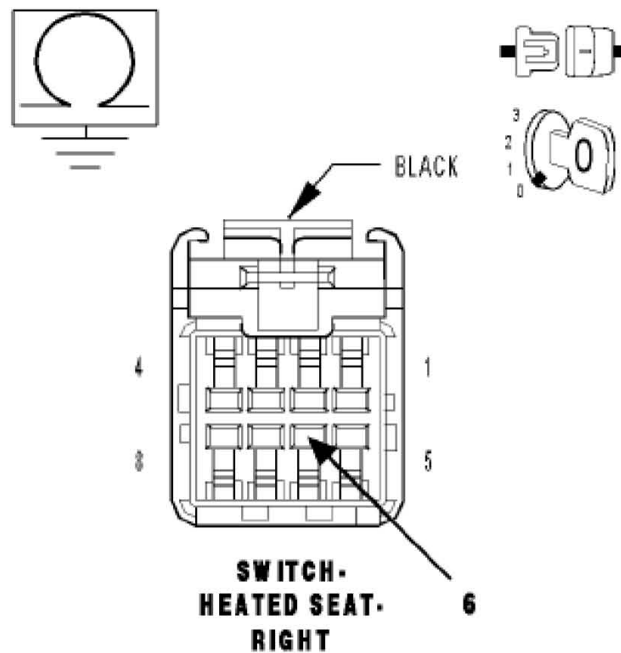
Measure the resistance between ground and the (P82) Right Heated Seat Lo Indicator Driver circuit.

Was the resistance below 5.0 ohms?

Yes >> Repair the (P82) Right Heated Seat Lo Indicator Driver circuit for a short to ground

Perform BODY VERIFICATION TEST – VER 1.

No >> Go To 6



6). CHECK THE (P82) RIGHT HEATED SEAT LO INDICATOR DRIVER CIRCUIT FOR AN OPEN

Measure the resistance of the (P82) Right Heated Seat Lo Indicator Driver circuit between the Cluster C-3 connector and the Right Heated Seat Switch connector.

Is the resistance below 5.0 ohms?

Yes >> Replace the Right Heated Seat Switch.

Perform BODY VERIFICATION TEST – VER 1.

No >> Repair the (P82) Right Heated Seat Lo Indicator Driver circuit for an open.

Perform BODY VERIFICATION TEST – VER 1.

