

## Passenger compartment

### - Front seats

Only electrically adjustable front seats are installed in the E65/E66:

- Basic seat:
- Fore-and-aft adjustment, electric
- Height adjustment, electric
- Backrest angle adjustment, electric
- Headrest height adjustment, electric
- Driver's seat only: seat height adjustment, electric
- Driver's seat only: seat angle adjustment, electric
- Headrest angle adjustment, mechanical

Optional extras available for the basic seat:

- Memory for driver's seat
- Seat heating
- Seat A/C (only in conjunction with seat heating)
- Lumbar support adjustment, electric
- Active seat (only in conjunction with memory)
- Multifunction seat (MFS)
- Fore-and-aft adjustment, electric
- Height adjustment, electric
- Backrest angle adjustment, electric
- Seat angle adjustment, electric
- Headrest height adjustment, electric
- Headrest angle adjustment, electric
- Active head restraint with manual lateral adjustment
- Headrest adjustment, electric
- Lumbar support adjustment, electric
- Seat-cushion adjustment, electric
- Backrest width adjustment, electric

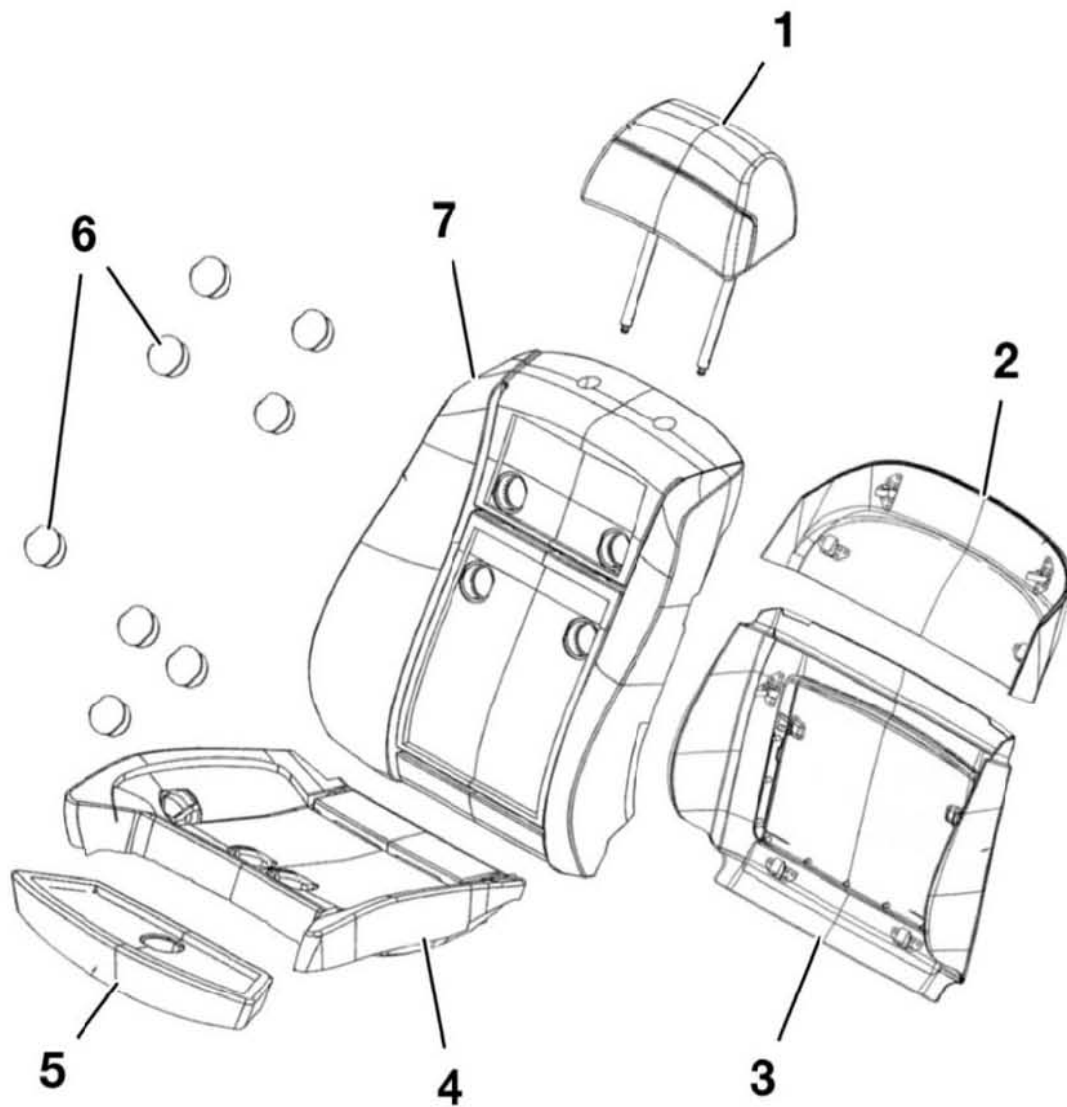
Optional extras available for the multifunction seat:

- Seat heating
- Seat A/C (only in conjunction with seat heating)
- Active seat

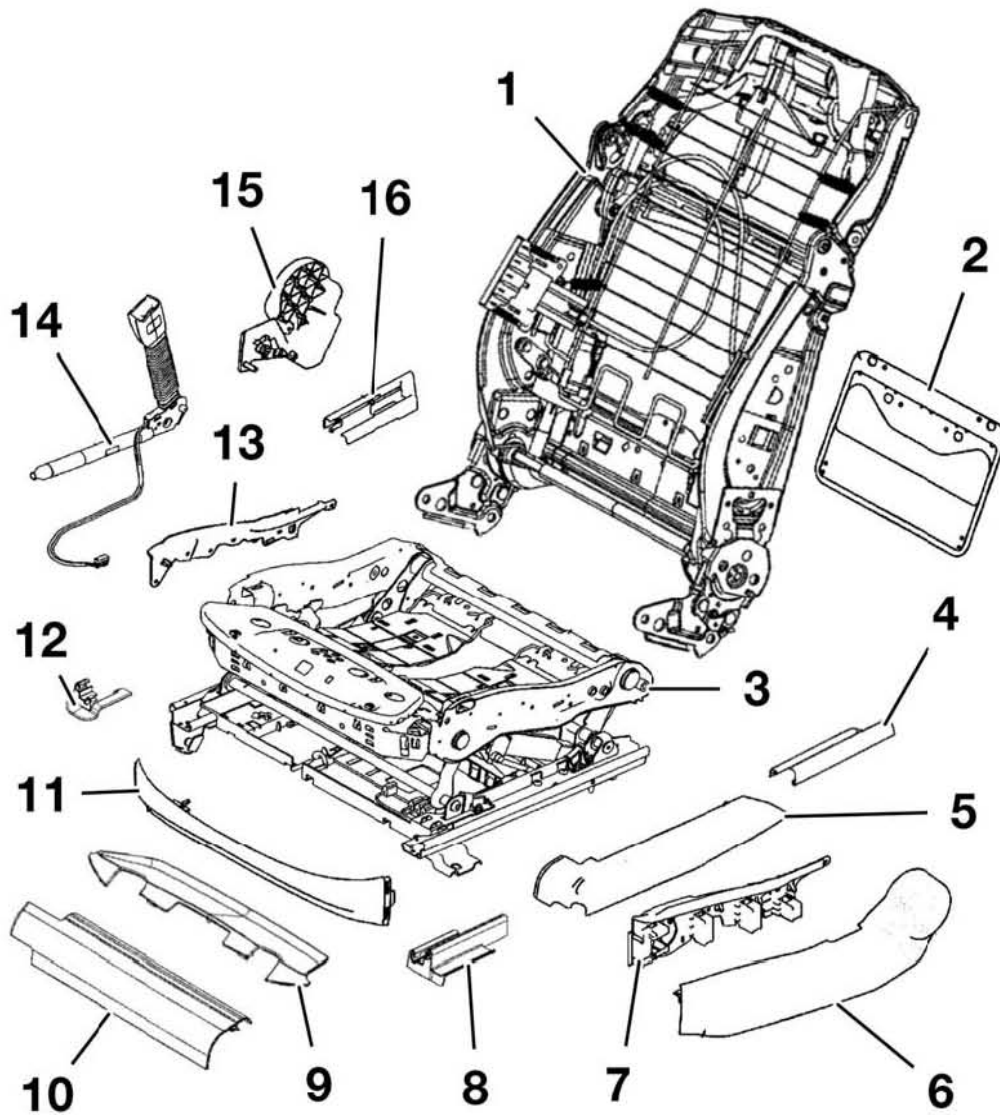


The design of the multifunction seat is represented in the following diagrams. The design of the electric basic seat is correspondingly more straightforward.

LAUNCH



Index	Description
1	Head restraint MFS front
2	Rear panel MFS top
3	Rear panel MFS bottom
4	Upholstered section, seat MFS with A/C / active
5	Upholstered section, MFS with A/C
6	Air outlets
7	Upholstered section, backrest, MFS with A/C

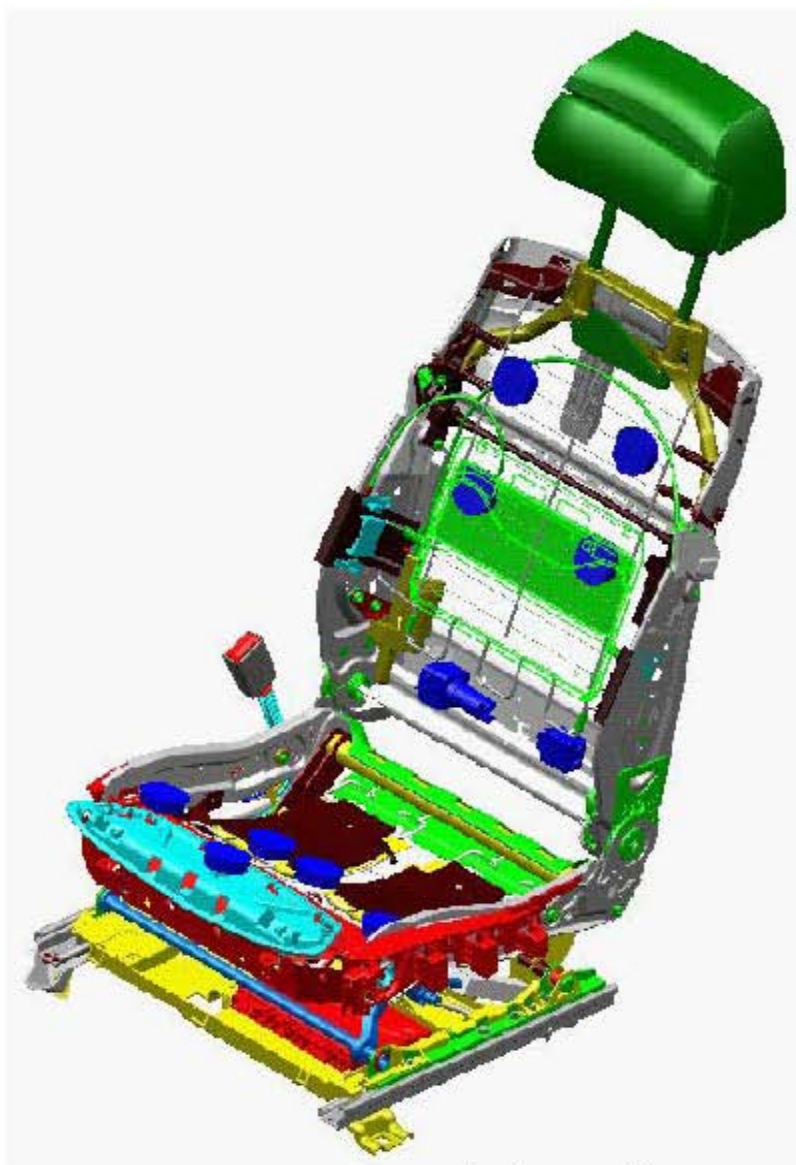


Index	Description
1	Backrest frame, MFS with active head restraint
2	Lumbar support adjustment unit
3	Seat mechanism, MFS Memory active, left
4	Left cover, rear rail
5	Left outer cover, upper rail
6	Left outer cover, seat
7	Cover fastener, basic, outer
8	Left cover for rail, front, door, outboard
9	Seat cover, top MFS
10	Left front cover, upper rail

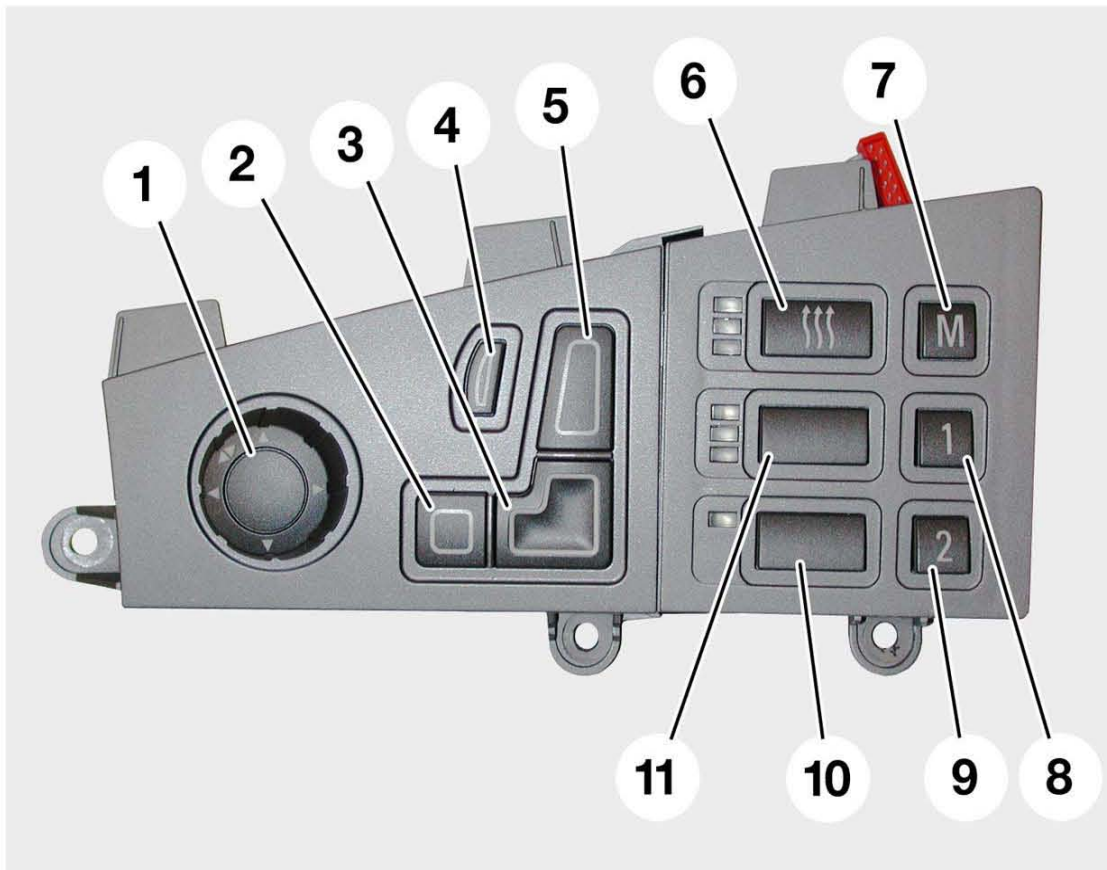
Index	Description
11	Left cover, seat front
12	Left cover for rail, front, door, inboard
13	Cover fastener, basic, inner left
14	Left seat belt tensioner ZAE



15	Left seat cover, inner
16	Right cover, rear rail



Seat operation



Index	Description
1	Seat control switch
2	Menu, seat cushion adjustment
3	Seat basic menu
4	Menu, lumbar adjustment
5	Menu, seat backrest adjustment
6	Seat heating (3-stage)
7	Memory switch
8	Memory call switch 1
9	Memory call switch 2
10	Active seat
11	Seat climate control (3-stage)

A maximum of 3 motors can run simultaneously. The total running time of each adjustment motor is monitored to avoid thermal overload.

The individual seat functions (seat position adjustment) and auxiliary functions (heating, climate control) are controlled by the seat control units. They are beneath the seats. The switches are in the centre armrest. The K-CAN bus carries the data to the servomotors.

## - Airbags

The E65 is equipped with driver's-side and passenger-side airbags.

Two head airbags are also installed as standard.

An extra-long head airbag providing protection for the rear-seat passengers is available as an optional extra.

There is a side airbag in each door.

The US version also has a knee airbag on the driver's side and the passenger side.

The intelligent safety and information system (ISIS) comprises the following components:

- Safety and information module (SIM) under glove compartment
- Satellites in A-pillar and B-pillar on both sides
- Satellite on floor pan in vehicle centre
- Satellites under driver seat and passenger seat
- Satellites in doors
- Satellites for rear seat (optional extra)
- Switch centre steering column (SZL)
- Seat occupancy detection for passenger seat and rear seats (as optional extra)
- Pyrotechnical seat belt force limiter
- Pyrotechnical active head restraint (front) The connection to the vehicle's electrical system is through the central gateway modu

## -Dashboard



The following important controls are grouped in the dashboard:

- Car Access System (CAS) on right next to steering column
- Start button on right next to steering column
- Operating button for parking brake (EMF)
- Steering column switch centre (SZL) with controls on the steering column and/or on the steering wheel
- Steering-column stalk for changing gear
- (CIM) steering-column-mounted at bottom, for steering wheel adjustment
- Instrument cluster in upper area of dashboard
- Control display on right next to instrument cluster
- Operating panel for integrated heater and automatic climate control (IHKA)
- Audio system controller (ASK) below the operating panel for the IHKA
- Compact Disc changer (CDC) above the glove compartment If the dashboard has to be removed or disassembled, always proceed as follows:

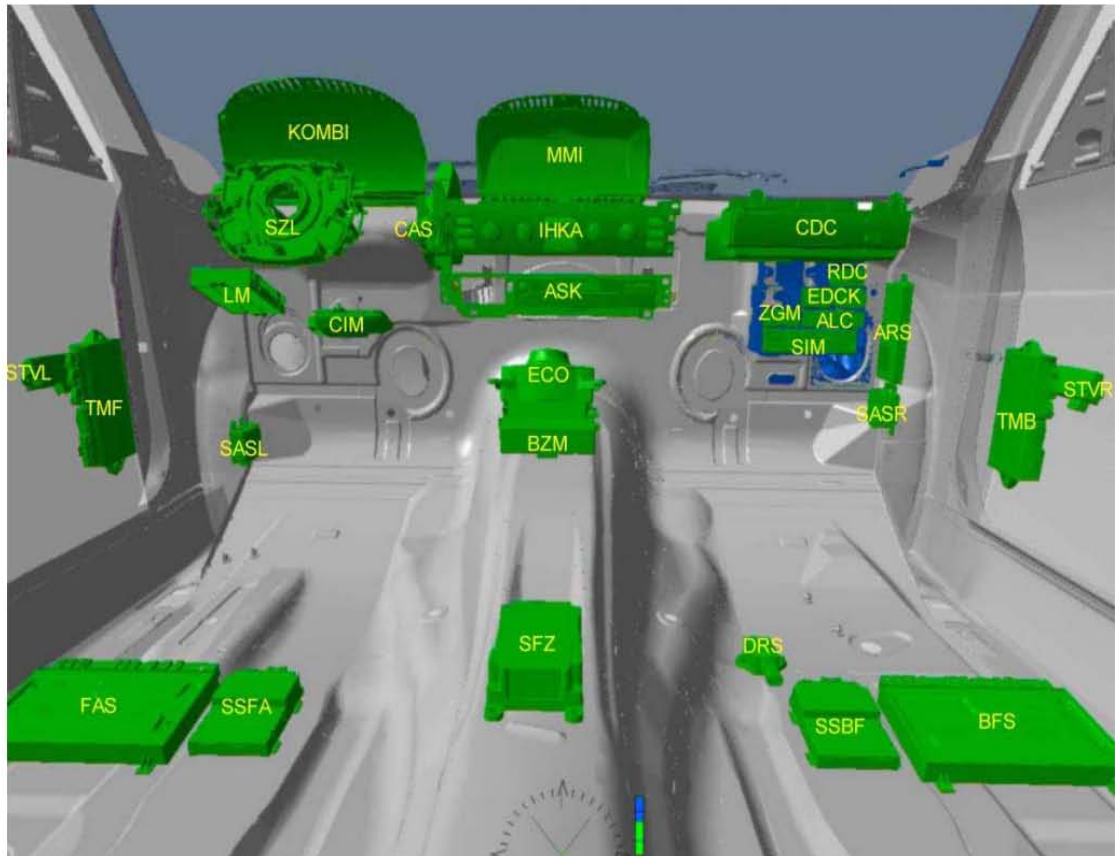




- Remove fan grilles using special tool
- Remove screw-mounted decor strips
- Remove finishers from instrument cluster and control display
- Remove instrument cluster - Caution: optical fibre conductors
- Remove control display - Caution: optical fibre conductors
- Remove steering wheel
- Remove dashboard

The dashboard of the E65 must be removed after the front passenger airbag has triggered.

The following control units are mounted on the dashboard:



Index	Description
ALC	Adaptive Light Control (planned optional extra)
ARS	Now: Dynamic Drive (DD)
ASK	Now: Dynamic Drive (DD)
BFS	Passenger-seat control unit
BZM	Centre armrest control console
CAS	Car Access System
CDC	Compact Disk Changer
CIM	Chassis Integration Module
DRS	Yaw sensor
ECO	Now: Controller (CON)
EDC-K	Electronic shock-absorber control, continuous
FAS	Driver's seat control unit
IHKA	Integrated heating and air conditioning control
Kombi	Instrument cluster
LM	Light module

Index	Description
MMI	Now: Control Display (CD)
RDC	Tyre-pressure check system
SASL SASR	Satellite, A-pillar left Satellite, A-pillar right
SFZ	Satellite, vehicle centre
SIM	Safety Information Module

SSBF SSFA	Satellite, passenger's seat Satellite, driver's seat
STVL STVR	Satellite, front door left Satellite, front door right
SZL	Switching centre, steering column
TMB TMF	Door module, passenger's side Door module, driver's side
ZGM	Central gateway module

**-Interior rear-view mirror**



Index	Description
1	Mirror base with rain/light sensor as optional extra
2	Mirror with sensor for electro-chromatic control as optional extra
3	Indicator LED for anti-theft alarm as optional extra
4	Switch for garage door opener as optional extra

The following functions and components are integrated into the inside mirror:

- Indicator LED for anti-theft alarm (DWA) as optional extra
- Garage door opener as optional extra
- Mirror with electro-chromatic control with sensor as optional extra

-Rain/light sensor in mirror base as optional extra

The mirror base is cemented to the windscreen.



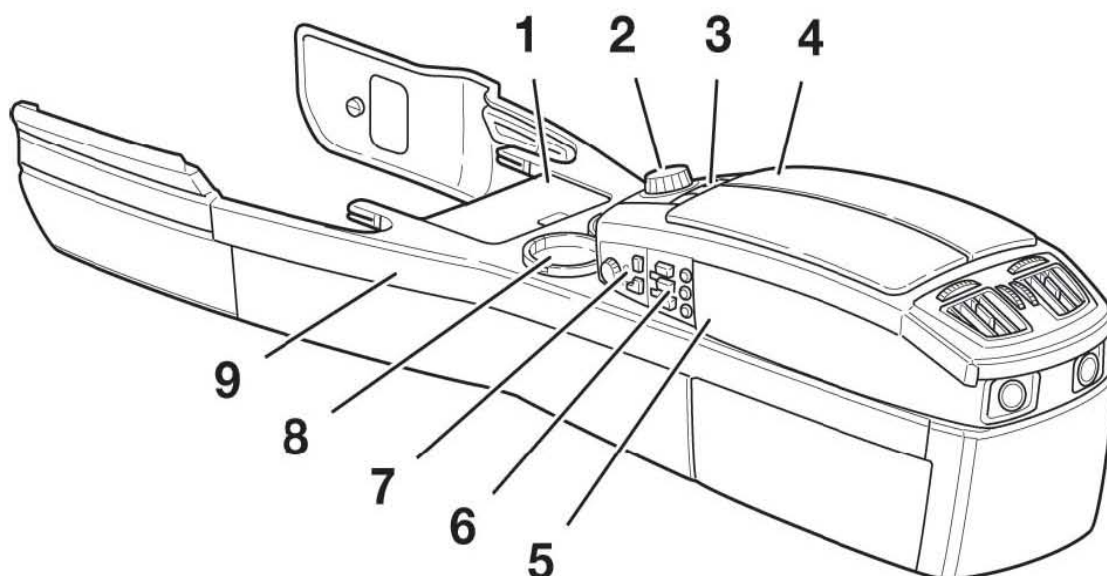
## - Centre armrest

A controller has been introduced on the E65 in order to keep the number of control buttons as low as possible. It is not used for the driving functions as such; it controls only the comfort functions and special driver inputs (e.g. navigation, fine adjustment of air conditioning system, entertainment etc.).

The centre armrest also carries the operating switches for seat adjustment, seat heating, seat A/C, lumbar support, active seats and the memory functions.

Disassembly of the centre armrest entails a considerable amount of preparatory work.

The centre armrest itself must be removed in order to remove the controller. The controller is screwed from the inside to the centre armrest.



Index	Description	Index	Description
1	Ashtray flap	6	Auxiliary seat functions unit
2	Controller	7	Seat adjustment unit
3	Lock and button for oddments box in centre armrest	8	Cup holder
4	Split cover of centre armrest	9	Centre console (MIK)
5	Centre armrest (MAL)		

In the High version, the centre armrest for the rear-seat passengers is similar to the front centre armrest.

## - Glove compartment

An operating cable connects the lock of the glove compartment to the opener button in the dashboard.

The flap in the glove compartment conceals the fuses.



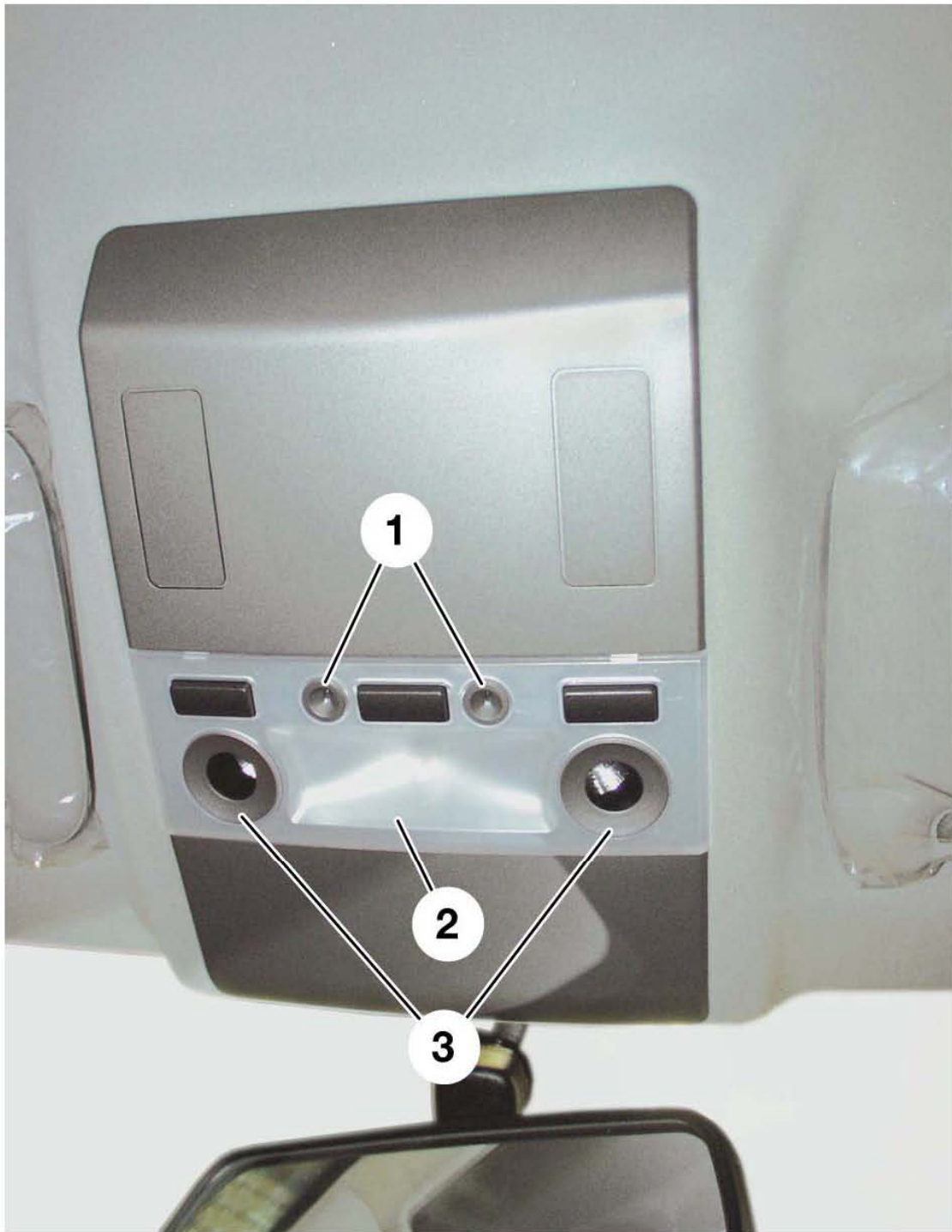


- Safety Information Module (SIM)
- Central gateway module (ZSM)
- Electronic shock-absorber control, continuous (EDC-K)
- Tyre-pressure monitoring system (RDC)
- Intelligent light control (Adaptive Light Control; planned optional extra,

ALC)

### - Roof, inside

There are two consoles set into the headlining, one at the front and one at the rear.



Index	Description
1	Top light for centre armrest
2	Interior lighting
3	Reading lamp

The microphone for the hands-free facility (optional extra) is behind a trim panel on the left or right (LHD/RHD models).



The E65 is the first model with an overhead console for the rear seat passengers.

It accommodates the following components:

- Ultrasonic passenger-compartment sensor (USIS)
- Illuminated, pivoting make-up mirror.
- Interior light/map-reading light



## - Rear seats

There are two rear-seat variants for the E65:

Basic seat:

The basic seat is non-adjustable. Only the height of the headrests can be adjusted by hand.

The backrest and the bench seat are held in place by snap-fit fasteners.

Seat heating is available as an optional extra.

Luxury seat, rear, with memory:

The luxury seat incorporates the following adjustment options:

- Fore-and-aft adjustment, electric
- Backrest angle adjustment, electric
- Seat angle adjustment, electric
- Headrest height adjustment, electric
- Headrest angle adjustment, electric
- Luxury head restraint with manual lateral adjustment
- Headrest adjustment, electric
- Lumbar support adjustment, electric

The following optional extras are available:

- Seat heating
- Seat A/C (only in conjunction with seat heating)





The following options are available for both types of rear seat:

- Rear-seat safety package
- ISOFIX (child-seat anchorage, standard in US version)
- Ski bag
- Mechanical beverage holder in seat centre section (standard equipment for luxury seat)

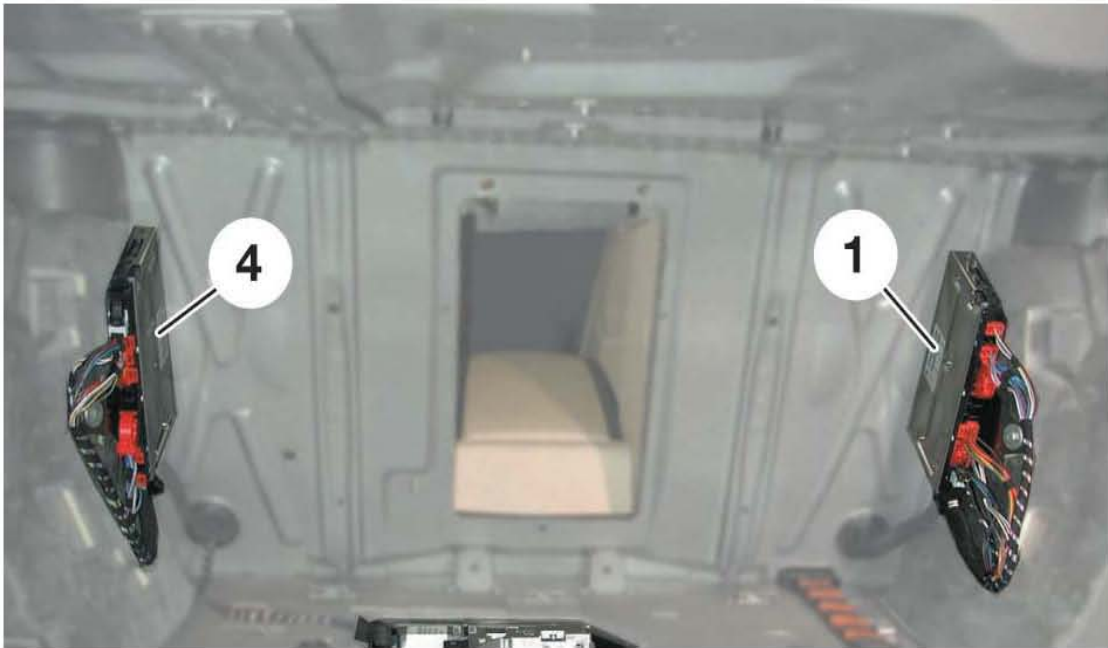
-Footrest (foam-rubber wedge similar to E38) There is a stowage compartment in the centre armrest. The functions integrated into the multi-function centre armrest depend on the special equipment ordered with the car, and can include:



- Switch unit for seat adjustment and seat functions (heating system, air conditioner, memory)
- Controller
- Headset socket
- Telephone (in the stowage compartment)

The Control Display for the rear seat passengers (planned optional extra) will be set into the rear of the front centre armrest.

The luxury rear seats adjust in the same way as the front seats. To save space, however, the control units are in the luggage compartment.



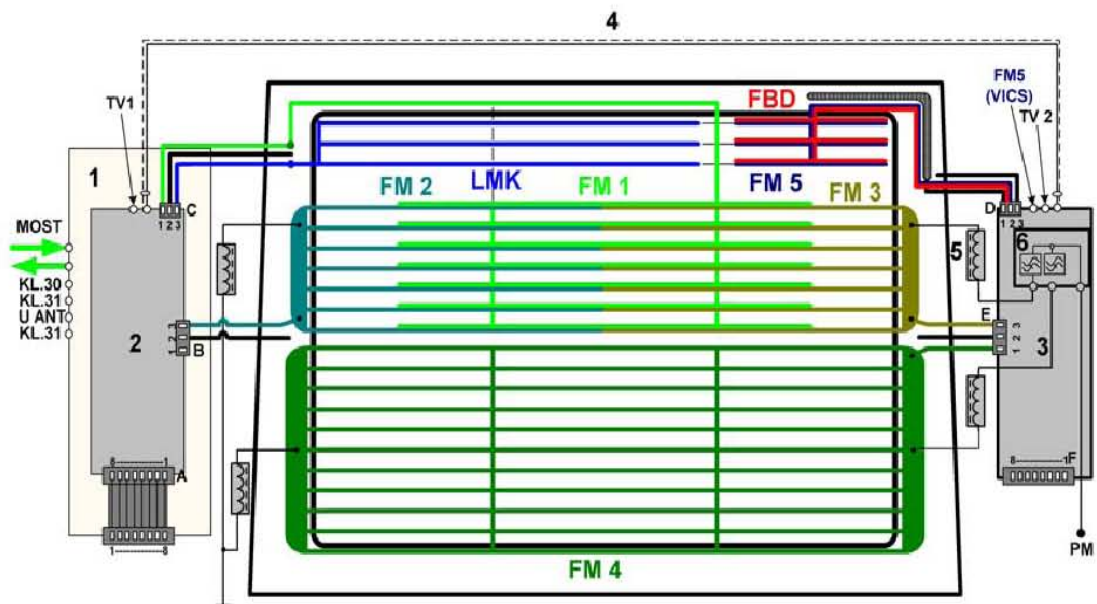
Index	Description
1	Seat control unit for front seat, right
2	Seat control unit for front seat, left

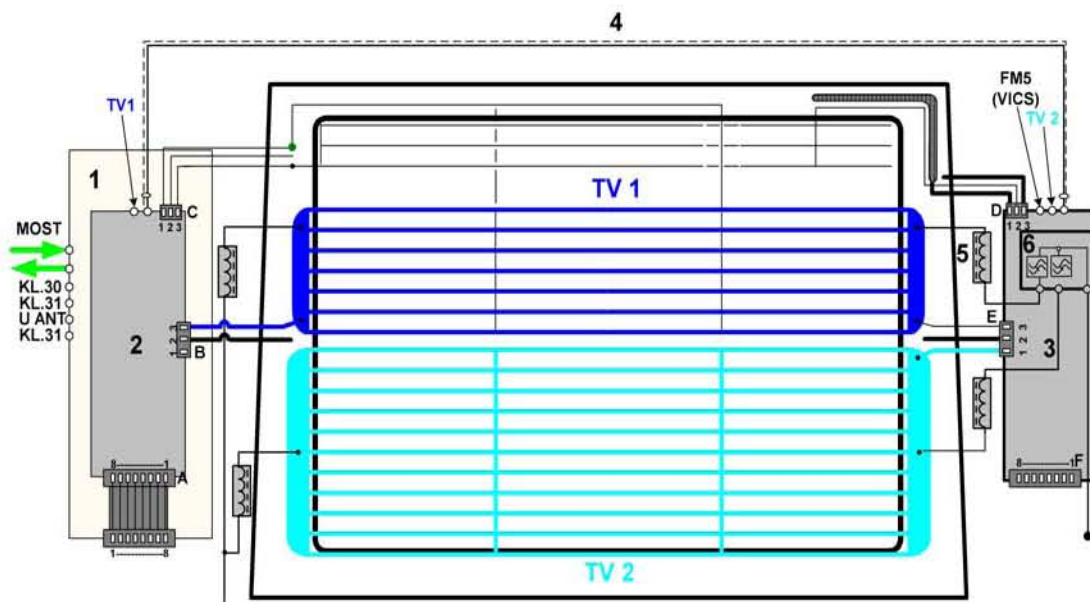
Another new feature of the luxury rear seat is a buckle tensioner with a pyrotechnical trigger for the rear seat belt.

**- C-pillar, inside**

The C-pillar panels on the left side conceal the antenna amplifier/tuner (AVT) and the Diversity antennas.

A second antenna amplifier is mounted in the same way on the right-hand side.





Index	Description
1	Antenna amplifier/tuner
2	Diversity antennas
3	Antenna amplifier
4	Coaxial cable
5	Rejector circuit chokes (integrated into the connecting cables)
6	Blocking circuit
LMK	AM antenna for long wave, medium wave and short wave
FM1-4	FM antennas 1-4 for very high frequency (VHF)

Index	Description
FM5	FM antenna for traffic information announcements Japan VICS
FBD	Antenna for radio control services
TV1-2	TV antennas for worldwide television reception
PM	Power module
KL. 30	Power supply, battery positive
KL. 31	Earth contact
U ANT	Power supply for antenna modules



### **-Rear window**

The rear window, which is bonded to the body, is made of 4 mm toughened safety glass with a silk-screen printed spot pattern bordering the edge.

The electrically heated 2-part heating section has a rated heating power of 4.5 W/dm<sup>2</sup> - approximately 300 W/12 V.

The following antennas are integrated into the rear window:

- AM
- 4 x FM
- 4 x TV
- Radio-operated central locking (FZV)

### **- Roof antenna**

The E65 has its antenna for the Global Positioning System (GPS) integrated into the roof antenna. The telephone antenna is also integrated into the roof antenna.

