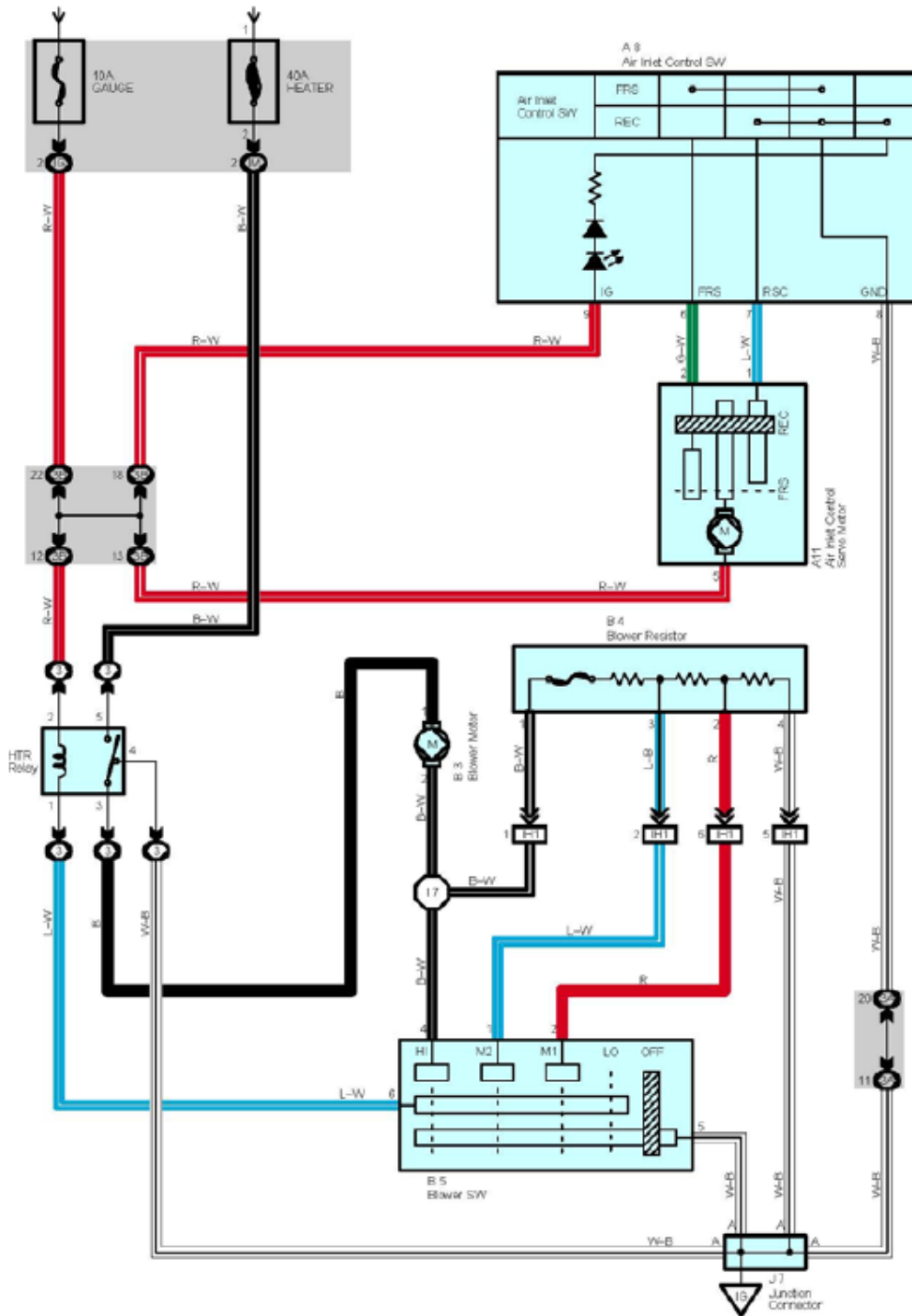


Heater

From Power Source System (See Page 48)



ServiceHints**HTR Relay**

5-3 : Closed with the ignition SW at ON position and the blower SW on

Relay Blocks

Code	Relay Blocks (Relay Block Location)
3	RH R/B (Right Side of the Instrument Panel Reinforcement)

Junction Block and Wire Harness Connector

Code	Junction Block and Wire Harness (Connector Location)
IG	Instrument Panel Wire and Instrument Panel J/B (Lower Finish Panel) Instrument Panel Wire and Instrument Panel J/B (Lower Finish Panel)
IM	
3A	Instrument Panel Wire and RH J/B (Right Side of the Instrument Panel Reinforcement) Instrument Panel Wire and RH J/B (Right Side of the Instrument Panel Reinforcement)
3B _	

Connector Joining Wire Harness and Wire Harness

Code	Joining Wire Harness and Wire Harness (Connector Location)
IH1	Instrument Panel Wire and A/C Sub Wire (Left Upper Side of the Blower Unit)

Ground Points

Code	Ground Points Location
IG	Right Kick Panel

Splice Points

Code	Wire Harness with Splice Points	Code	See Page	Wire Harness with Splice Points
I7	Instrument Panel Wire			