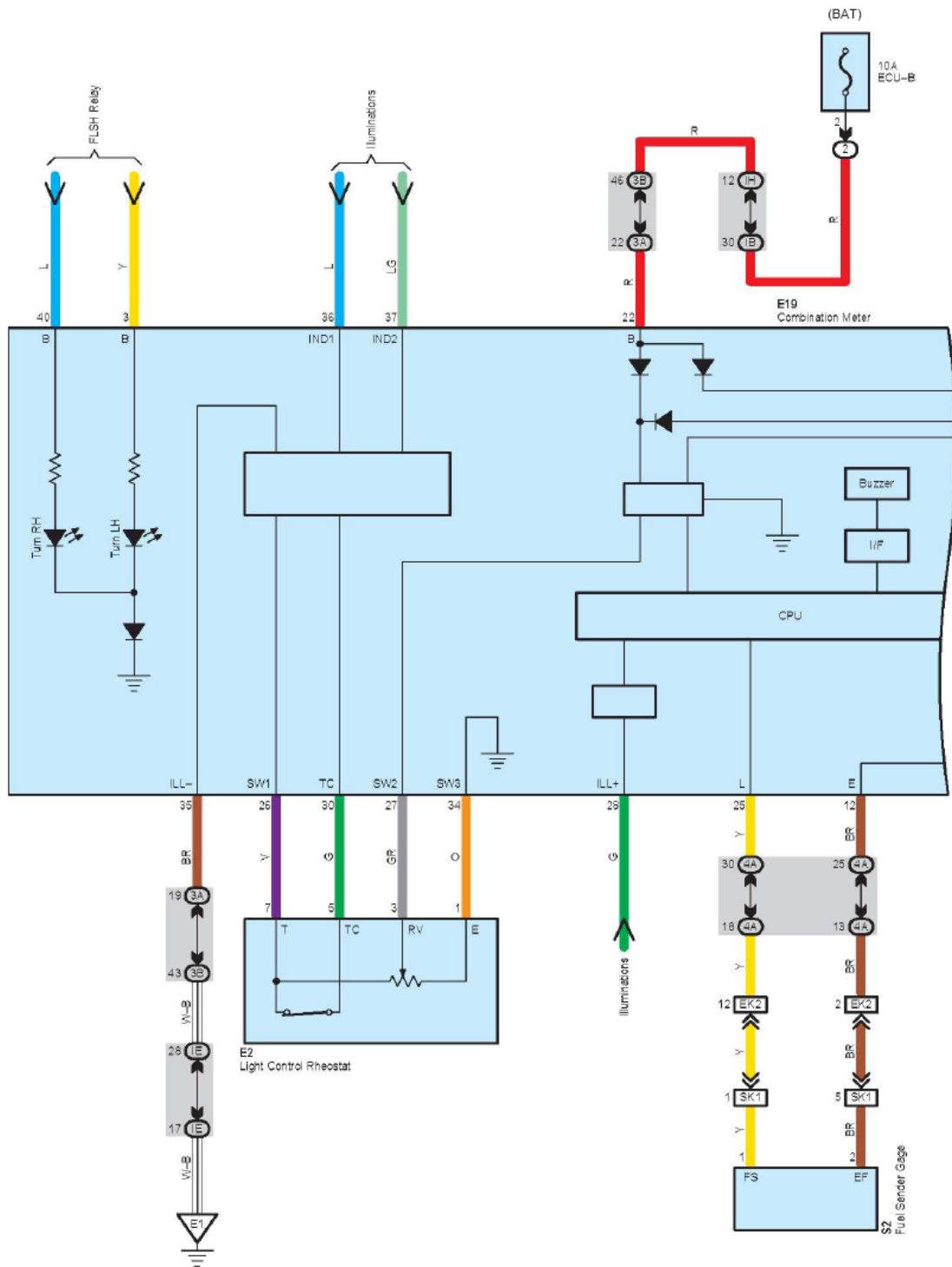
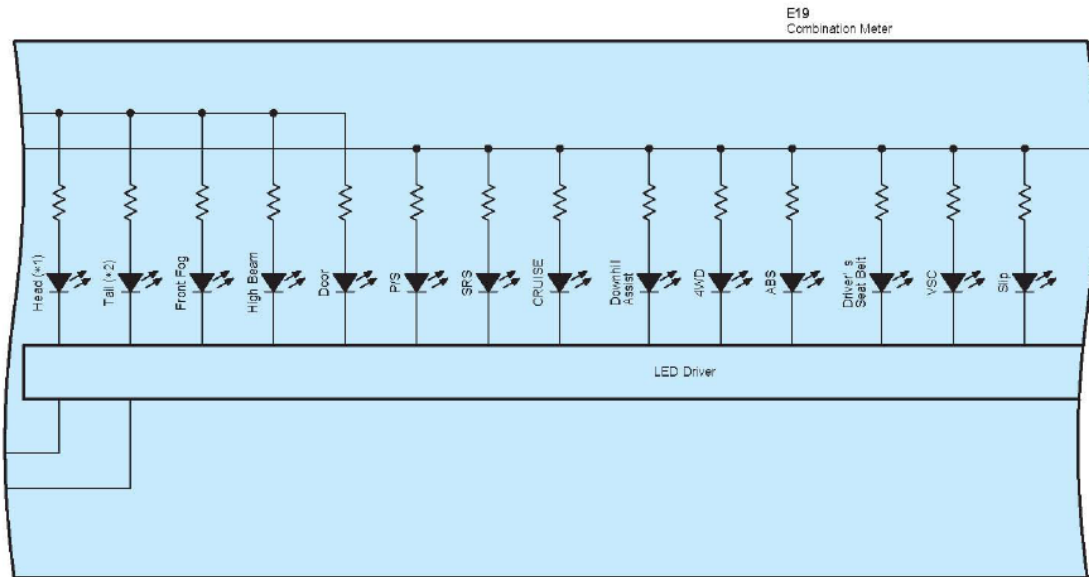


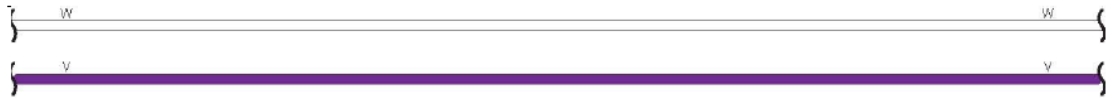
Combination Meter



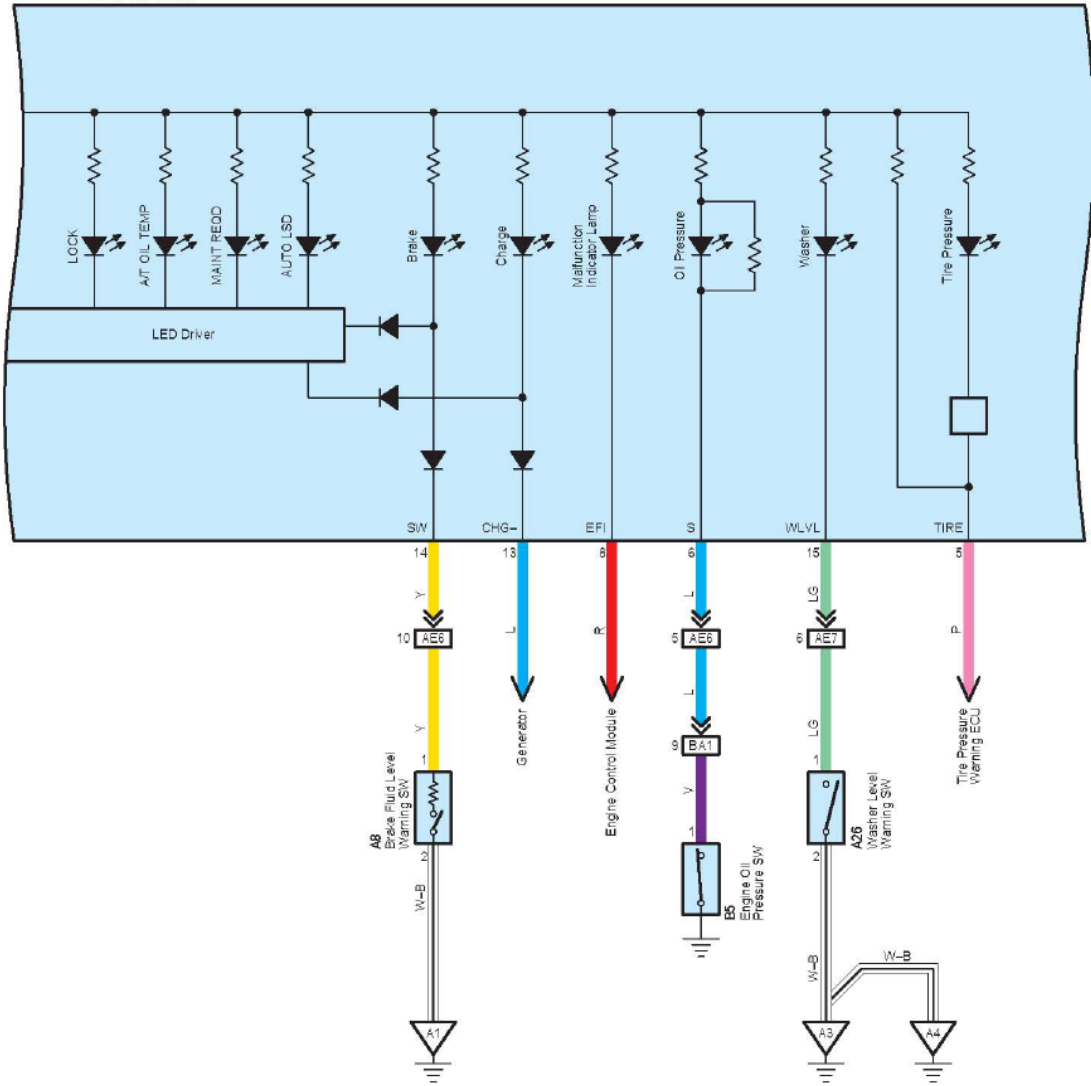
- * 1 : USA
- * 2 : Except USA

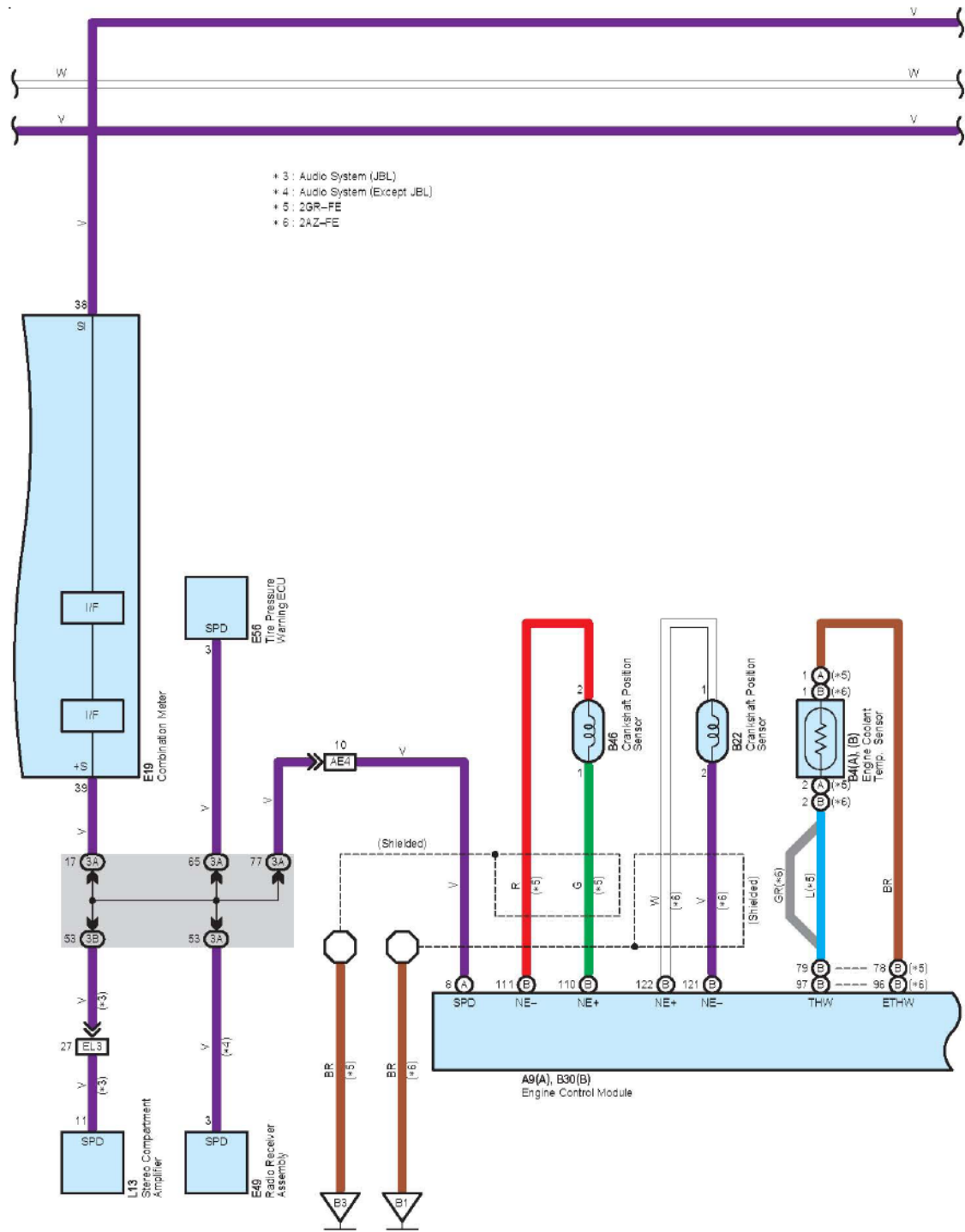


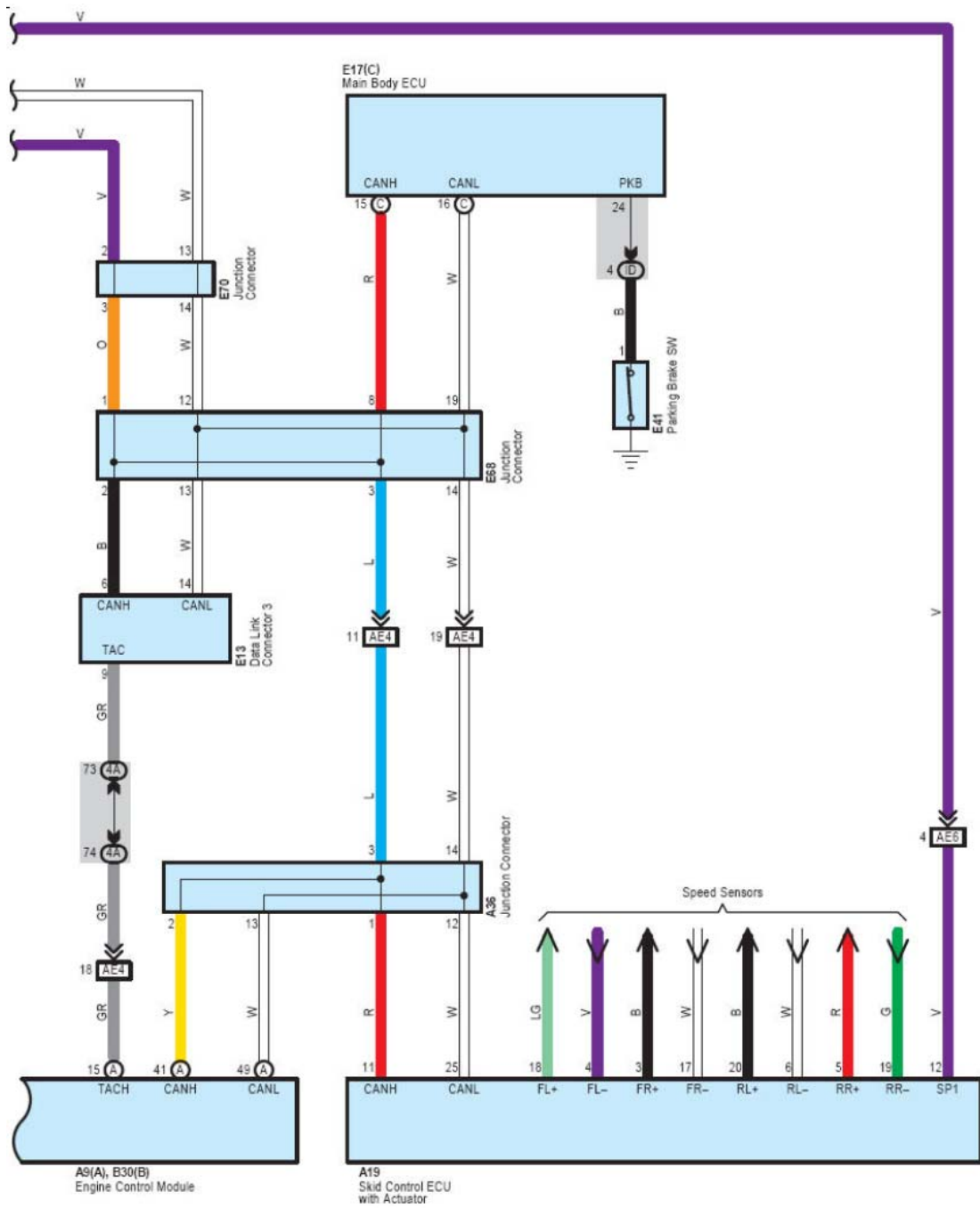
LAUNCH



E19
Combination Meter







Relay Blocks

Code	Relay Blocks (Relay Block Location)
2	Engine Room R/B No.2 (Engine Compartment Right)Engine Room R/B No.2 (Engine Compartment Right)

Junction Block and Wire Harness Connector

Code	Junction Block and Wire Harness (Connector Location)
3A	Instrument Panel Wire and J/B No.3 (Instrument Panel Center)Instrument Panel Wire and J/B No.3 (Instrument Panel Center)
3B _	
4A	Instrument Panel Wire and J/B No.4 (Instrument Panel Center)
IB	Engine Room Main Wire and Instrument Panel J/B (Cowl Side Left)
ID	Instrument Panel Wire and Instrument Panel J/B (Cowl Side Left)Instrument Panel Wire and Instrument Panel J/B (Cowl Side Left)
IE _	
IH _	
IM	

Connector Joining Wire Harness and Wire Harness

Code	Joining Wire Harness and Wire Harness (Connector Location)
AE4	Engine Room Main Wire and Instrument Panel Wire (Left Side of the Instrument Panel)Engine Room Main Wire and Instrument Panel Wire (Left Side of the Instrument Panel)
AE6 _	
AE7	Engine Room Main Wire and Instrument Panel Wire (Right Side of the Instrument Panel)
BA1	Engine Wire and Engine Room Main Wire (Inside of the Engine Room R/B No.1 and Engine Room J/B No.1)Engine Wire and Engine Room Main Wire (Inside of the Engine Room R/B No.1 and Engine Room J/B No.1)
EK2	Instrument Panel Wire and Floor Wire (Left Kick Panel)
EL3	Instrument Panel Wire and Floor No.2 Wire (Right Kick Panel)
SK1	Fuel Gauge Wire and Floor Wire (Under the Console Box)

Ground Points

Code	Ground Points Location
A1	Front Left Fender
A3	Front Right FenderFront Right Fender
A4	
B1	Left Side of the Cylinder HeadLeft Side of the Cylinder Head
B3	
E1	Left Kick Panel