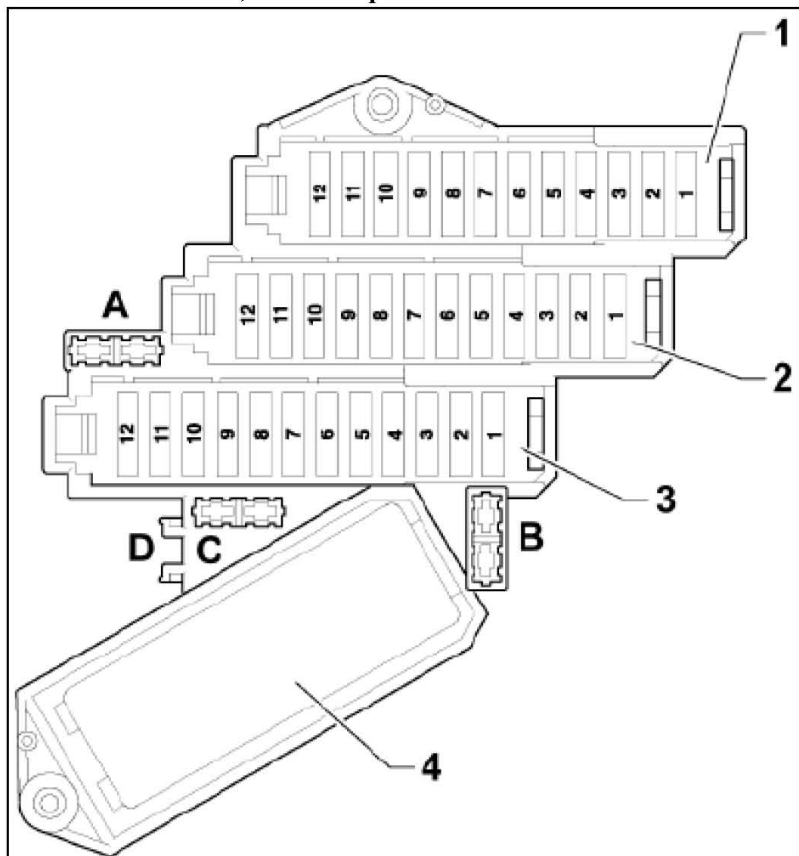


Position of relays and fuses

Position of fuses in fuse carrier, left dash panel



Fuse colours:

- | | | | | |
|------------------------------|-----------|-----------------------------------|------------|-----------|
| 40A-orange | 30A-green | 25A-white | 20A-yellow | 3A-purple |
| 15A-blue | 10A-red | 7.5A-brown | 5A-beige | |
| 1 - Fuse carrier ST1 (red) | | 2 - Fuse carrier ST2 (brown) | | |
| 3 - Fuse carrier ST3 (black) | | 4 - CAN separating connector T46a | | |
| - A up to D - vacant | | | | |

Position of fuses in fuse carrier, left dash panel (left-hand drive)

Current Flow Diagram designation	Nominal value	Function/component	Terminal
Fuse carrier ST1 (red)			
SB1 - Fuse 1 on fuse holder B	-	Vacant	30
SB2 - Fuse 2 on fuse holder B	-	Vacant	30
SB3 - Fuse 3 on fuse holder B	-	Vacant	30
SB4 - Fuse 4 on fuse holder B	5A	J502-Tyre pressure monitor control unit	30
SB5 - Fuse 5 on fuse holder B	20A	J364 -Auxiliary heater control unit	30
SB6 -Fuse 6 on fuse holder B	10A	E176-Driver seat lumbar support adjustment switch	30
SB7 - Fuse 7 on fuse holder B	35A	J386-Driver door control unit V147-Driver side window regulator motor	30

		J388-Rear left door control unit V26-Rear left window regulator motor	
SB8 - Fuse 8 on fuse holder B	15A	J386-Driver door control unit J388-Rear left door control unit	30
SB9 - Fuse 9 on fuse holder B	5A	J644-Energy management control unit	30
SB10 - Fuse 10 on fuse holder B	30A	J518-Entry and start authorisation control unit E415-Entry and start authorisation switch	30
SB11 - Fuse 11 on fuse holder B	10A	J527-Steering column electronics control unit	30
SB12 - Fuse 12 on fuse holder B	5A	G273- Interior monitoring sensor H12- Alarm horn	30

Position of fuses in fuse carrier, left dash panel (left-hand drive)

Current Flow Diagram designation Fuse carrier ST2 (brown)	Nominal value	Function/component	Terminal
SB1 - Fuse 1 on fuse holder B	-	Vacant	30
SB2 - Fuse 2 on fuse holder B	-	Vacant	30
SB3 - Fuse 3 on fuse holder B	-	Vacant	30
SB4 - Fuse 4 on fuse holder B	30A	J400-Wiper motor control unit V-Windscreen wiper motor	30
SB5 - Fuse 5 on fuse holder B	5A	G397- Rain and light detector sensor	30
SB6 - Fuse 6 on fuse holder B	25A	J4-Dual tone horn relay H2-Treble tone horn H7-Bass tone horn	30
SB7 - Fuse 7 on fuse holder B	30A	J519-Onboard power supply control unit	30
SB8 - Fuse 8 on fuse holder B	25A	J519-Onboard power supply control unit	30
SB9 - Fuse 9 on fuse holder B	25A	J519-Onboard power supply control unit	30
SB10 - Fuse 10 on fuse holder B	10A	J285-Control unit in dash panel insert Y24-Display in dash panel insert	30
SB11 - Fuse 11 on fuse holder B	30A	J39 -Headlight washer system relay	30
SB12 - Fuse 12 on fuse holder B	10A	T16-Diagnostic connector	30

Position of fuses in fuse carrier, left dash panel (left-hand drive)

Current Flow Diagram designation Fuse carrier ST3 (black)	Nominal value	Function/component	Terminal
SB1 - Fuse 1 on fuse holder B	10A	J745-Cornering light and headlight range control unit	15
SB2 - Fuse 2 on fuse holder B	5A	J428-Adaptive cruise control unit Z47-Sensor heater for adaptive cruise control system	15
SB3 - Fuse 3 on fuse holder B	10A	Vacant	15
SB4 - Fuse 4 on fuse holder B	5A	Lane-Departure-Warning J759-Lane departure warning control unit Z67-Windscreen heater for lane departure	15

		warning	
SB5 - Fuse 5 on fuse holder B	5A	Vacant	15
SB6 - Fuse 6 on fuse holder B	5A	J527-Steering column electronics control unit J518-Entry and start authorisation control unit E1-Light switch J393-Convenience system central control unit J345-Trailer detector control unit	15
SB7 - Fuse 7 on fuse holder B	5A	G226 -Oil level and oil temperature sender	15
SB8 - Fuse 8 on fuse holder B	5A	T16-Diagnostic connector	15
SB9 - Fuse 9 on fuse holder B	5A	Y7 -Automatic anti-dazzle interior mirror	15
SB10 - Fuse 10 on fuse holder B	5A	J530-Garage door operation control unit E284-Garage door operating unit	15
SB11 - Fuse 11 on fuse holder B	5A	J533-Data bus diagnostic interface	15
SB12 - Fuse 12 on fuse holder B	5A	E102-Headlight range control regulator V48 -Left headlight range control motor V49 -Right headlight range control motor	15

Position of fuses in fuse carrier, left dash panel (right-hand drive)

Current Flow Diagram designation Fuse carrier ST1 (red)	Nominal value	Function/component	Terminal
SB1 - Fuse 1 on fuse holder B	-	Vacant	
SB2 - Fuse 2 on fuse holder B	-	Vacant	
SB3 - Fuse 3 on fuse holder B	-	Vacant	
SB4 - Fuse 4 on fuse holder B	5A	J502-Tyre pressure monitor control unit	30
SB5 - Fuse 5 on fuse holder B	20A	J364 -Auxiliary heater control unit	30
SB6 -Fuse 6 on fuse holder B	10A	E177-Front passenger seat lumbar support adjustment switch	30
SB7 - Fuse 7 on fuse holder B	35A	J387-Front passenger side door control unit	30
SB8 - Fuse 8 on fuse holder B	15A	J387-Front passenger door control unit V148-Front passenger side window regulator motor J389-Rear right door control unit V27-Rear right window regulator motor	30
SB9 - Fuse 9 on fuse holder B	5A	J644-Energy management control unit J389-Rear right door control unit	30
SB10 - Fuse 10 on fuse holder B	5A	R118-Media player in position 1 R119-Media player in position 2 R41-CD changer R153-Mini Disc player R129-Video recorder and DVD player	30
SB11 - Fuse 11 on fuse holder B	10A	E265-Rear Climatronic operating and display unit J391-Rear fresh air blower control unit	30

SB12 - Fuse 12 on fuse holder B	5A	J393-Convenience system central control unit	30
---------------------------------	----	--	----

Position of fuses in fuse carrier, left dash panel (right-hand drive)

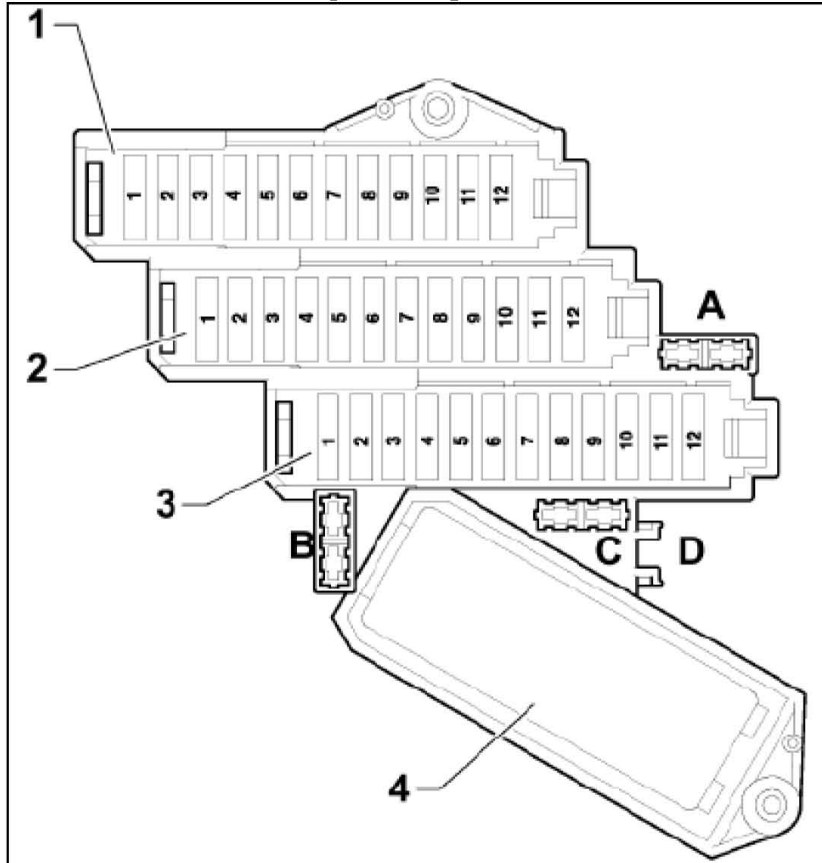
Current Flow Diagram designation Fuse carrier ST2 (brown)	Nominal value	Function/component	Terminal
SB1 - Fuse 1 on fuse holder B	-	Vacant	
SB2 - Fuse 2 on fuse holder B	-	Vacant	
SB3 - Fuse 3 on fuse holder B	-	Vacant	
SB4 - Fuse 4 on fuse holder B	30A	J400-Wiper motor control unit V-Windscreen wiper motor	30
SB5 - Fuse 5 on fuse holder B	5A	G397- Rain and light detector sensor	30
SB6 -Fuse 6 on fuse holder B	25A	H2 -Treble tone horn H7 - Bass tone horn J4 -Dual tone horn relay	30
SB7 - Fuse 7 on fuse holder B	-	Vacant	30
SB8 - Fuse 8 on fuse holder B	20A	U1-Cigarette lighter	30
SB9 - Fuse 9 on fuse holder B	25A	U5 -12 V socket U18 -12 V socket 2	30
SB10 - Fuse 10 on fuse holder B	10A	J255-Climatronic control unit J126-Fresh air blower control unit	30
SB11 - Fuse 11 on fuse holder B	30A	J39 -Headlight washer system relay	30
SB12 - Fuse 12 on fuse holder B	10A	T16-Diagnostic connector	30

Position of fuses in fuse carrier, left dash panel (right-hand drive)

Current Flow Diagram designation Fuse carrier ST3(black)	Nominal value	Function/component	Terminal
SB1 - Fuse 1 on fuse holder B	10A	J745-Cornering light and headlight range control unit	15
SB2 - Fuse 2 on fuse holder B	5A	J428-Adaptive cruise control unit Z47-Sensor heater for adaptive cruise control system	15
SB3 - Fuse 3 on fuse holder B	-	Vacant	15
SB4 - Fuse 4 on fuse holder B	10A	J759-Lane departure warning control unit Z67-Windscreen heater for lane departure warning	15
SB5 - Fuse 5 on fuse holder B	-	Vacant	15
SB6 -Fuse 6 on fuse holder B	5A	Z10-Heated bench seat cushion for rear left seat Z11-Heated rear left seat backrest Z12-Heated bench seat cushion for rear right seat Z13-Heated backrest for rear right seat	15
SB7 - Fuse 7 on fuse holder B	5A	G226 -Oil level and oil temperature sender	15
SB8 - Fuse 8 on fuse holder B	5A	T16-Diagnostic connector	15
SB9 - Fuse 9 on fuse holder B	5A	Y7 -Automatic anti-dazzle interior mirror	15

SB10 - Fuse 10 on fuse holder B	5A	J530-Garage door operation control unit E284-Garage door operating unit	15
SB11 - Fuse 11 on fuse holder B	5A	J234-Airbag control unit	15
SB12 - Fuse 12 on fuse holder B	5A	G238-Air quality sensor E265-Rear Climatronic operating and display unit J255-Climatronic control unit	15

Position of fuses in fuse carrier, right dash panel



Fuse colours

40 A - orange 30 A - green 25 A - white 20 A - yellow 15 A - blue

10 A - red 7,5 A -brown 5 A -beige 3 A -purple

1 - Fuse carrier ST1 (black)

2 - Fuse carrier ST2 (brown)

3 - Fuse carrier ST3 (red)

4 - CAN separating connector T46b

- A up to D – vacant

Position of fuses in fuse carrier, right dash panel (left-hand drive)

Current Flow Diagram designation Fuse carrier ST1 (black)	Nominal value	Function/component	Terminal
SC1 - Fuse 1 on fuse holder C	20A	Z10-Heated bench seat cushion for rear left seat Z11-Heated rear left seat backrest Z12-Heated bench seat cushion for rear	30

		right seat Z13-Heated backrest for rear right seat	
SC2-Fuse 2 on fuse holder C	10A	J217-Automatic gearbox control unit (0AT)	30
	5A	J217-Automatic gearbox control unit (09D)	30
SC3 - Fuse 3 on fuse holder C	30A	Z45-Heated seat cushion for front left seat Z46-Heated seat cushion for front right seat	30
SC4 - Fuse 4 on fuse holder C	20A	J104 -ABS control unit	30
SC5 - Fuse 5 on fuse holder C	15A	J387-Front passenger door control unit J389-Rear right door control unit	30
SC6 - Fuse 6 on fuse holder C	25A	U19-12 V socket 3 U20-12 V socket 4	30
SC7 - Fuse 7 on fuse holder C	10A	E177-Front passenger seat lumbar support adjustment switch	30
SC8 - Fuse 8 on fuse holder C	20A	U1-Cigarette lighter	30
SC9 - Fuse 9 on fuse holder C	25A	U5 -12 V socket U18 -12 V socket 2	30
SC10 - Fuse 10 on fuse holder C	10A	J255-Climatronic control unit J126-Fresh air blower control unit	30
SC11 - Fuse 11 on fuse holder C	5A	F-Brake light switch F47-Brake pedal switch J104-ABS control unit	30
SC12 - Fuse 12 on fuse holder C	15A	J520-Onboard supply control unit 2	30

Position of fuses in fuse carrier, right dash panel (left-hand drive)

Current Flow Diagram designation Fuse carrier ST2(brown)	Nominal value	Function/component	Terminal
SC1 - Fuse 1 on fuse holder C	10A	J745-Cornering light and headlight range control unit	15
SC2-Fuse 2 on fuse holder C	5A	J197-Adaptive suspension control unit	15
SC3 - Fuse 3 on fuse holder C	-	Vacant	15
SC4 - Fuse 4 on fuse holder C	5A	J769-Lane change assist control unit J770-Lane change assist control unit 2	15
SC5 - Fuse 5 on fuse holder C	5A	J508-Brake light suppression relay F36-Clutch pedal switch	15
SC6 - Fuse 6 on fuse holder C	5A	J217-Automatic gearbox control unit (0AT)	15
	20A	J217-Automatic gearbox control unit (09D)	15
SC7 - Fuse 7 on fuse holder C	5A	J104 -ABS control unit	15
SC8 - Fuse 8 on fuse holder C	5A	F125-Multifunction switch F189-Tiptronic switch J587-Selector lever sensors control unit	15
SC9 - Fuse 9 on fuse holder C	5A	J446-Parking aid control unit	15
SC10 - Fuse 10 on fuse holder C	5A	J234-Airbag control unit	15
SC11 - Fuse 11 on fuse holder C	5A	E128-Heated rear left seat switch with regulator	15

		E129-Heated rear right seat switch with regulator	
SC12 - Fuse 12 on fuse holder C	5A	G238-Air quality sensor E265-Rear Climatronic operating and display unit J255-Climatronic control unit	15

Position of fuses in fuse carrier, right dash panel (left-hand drive)

Current Flow Diagram designation Fuse carrier ST3(red)	Nominal value	Function/component	Terminal
SC1 - Fuse 1 on fuse holder C	15A	V12 -Rear window wiper motor	75
SC2-Fuse 2 on fuse holder C	5A	Z20 -Left washer jet heater element Z21 -Right washer jet heater element	75
SC3 - Fuse 3 on fuse holder C	-	Vacant	
SC4 - Fuse 4 on fuse holder C	-	Vacant	
SC5 - Fuse 5 on fuse holder C	5A	R36-Telephone transmitter and receiver unit	30
SC6 - Fuse 6 on fuse holder C	15A	J523-Front information display and operating unit control unit R24-Aerial amplifier	30
	5A	J523-Front information display and operating unit control unit	30
SC7 - Fuse 7 on fuse holder C	20A	J245-Sliding sunroof adjustment control unit	30
SC8 - Fuse 8 on fuse holder C	20A	J245-Sliding sunroof adjustment control unit	30
SC9 - Fuse 9 on fuse holder C	20A	J394-Sunroof roller blind control unit	30
SC10 - Fuse 10 on fuse holder C	5A	R118-Media player in position 1 R119-Media player in position 2 R41-CD changer R153-Mini Disc player R129-Video recorder and DVD player	30
SC11 - Fuse 11 on fuse holder C	35A	J387-Front passenger door control unit V148-Front passenger side window regulator motor J389-Rear right door control unit V27-Rear right window regulator motor	30
SC12 - Fuse 12 on fuse holder C	10A	E265-Rear Climatronic operating and display unit J391-Rear fresh air blower control unit	30

Position of fuses in fuse carrier, right dash panel (right-hand drive)

Current Flow Diagram designation Fuse carrier ST1(black)	Nominal value	Function/component	Terminal
SC1 - Fuse 1 on fuse holder C	20A	Z10-Heated bench seat cushion for rear left seat	30

		Z11-Heated rear left seat backrest Z12-Heated bench seat cushion for rear right seat Z13-Heated backrest for rear right seat	
SC2-Fuse 2 on fuse holder C	10A	J217-Automatic gearbox control unit (0AT)	30
	5A	J217-Automatic gearbox control unit (09D)	30
SC3 - Fuse 3 on fuse holder C	30A	Z45-Heated seat cushion for front left seat Z46-Heated seat cushion for front right seat	30
SC4 - Fuse 4 on fuse holder C	20A	J104 -ABS control unit	30
SC5 - Fuse 5 on fuse holder C	15A	J386-Driver door control unit J388-Rear left door control unit	30
SC6 - Fuse 6 on fuse holder C	25A	U19-12 V socket 3 U20-12 V socket 4	30
SC7 - Fuse 7 on fuse holder C	10A	E176-Driver seat lumbar support adjustment switch	30
SC8 - Fuse 8 on fuse holder C	25A	J519-Onboard power supply control unit	30
SC9 - Fuse 9 on fuse holder C	25A	J519-Onboard power supply control unit	30
SC10 - Fuse 10 on fuse holder C	10A	J285 -Control unit in dash panel insert	30
SC11 - Fuse 11 on fuse holder C	5A	F-Brake light switch F47-Brake pedal switch J104-ABS control unit	30
SC12 - Fuse 12 on fuse holder C	15A	J520-Onboard supply control unit 2	30

Position of fuses in fuse carrier, right dash panel (right-hand drive)

Current Flow Diagram designation Fuse carrier ST2(brown)	Nominal value	Function/component	Terminal
SC1 - Fuse 1 on fuse holder C	10A	J745-Cornering light and headlight range control unit	15
SC2-Fuse 2 on fuse holder C	5A	J197-Adaptive suspension control unit	15
SC3 - Fuse 3 on fuse holder C	-	Vacant	15
SC4 - Fuse 4 on fuse holder C	5A	J769-Lane change assist control unit J770-Lane change assist control unit 2	15
SC5 - Fuse 5 on fuse holder C	5A	J508-Brake light suppression relay F36-Clutch pedal switch	15
SC6 - Fuse 6 on fuse holder C	5A	J217-Automatic gearbox control unit (0AT)	15
	20A	J217-Automatic gearbox control unit (09D)	15
SC7 - Fuse 7 on fuse holder C	5A	J104 -ABS control unit	15
SC8 - Fuse 8 on fuse holder C	5A	F125-Multifunction switch F189-Tiptronic switch J587-Selector lever sensors control unit	15
SC9 - Fuse 9 on fuse holder C	5A	J446-Parking aid control unit	15
SC10 - Fuse 10 on fuse holder C	5A	J533-Data bus diagnostic interface	15
SC11 - Fuse 11 on fuse holder C	5A	J527-Steering column electronics control unit	15