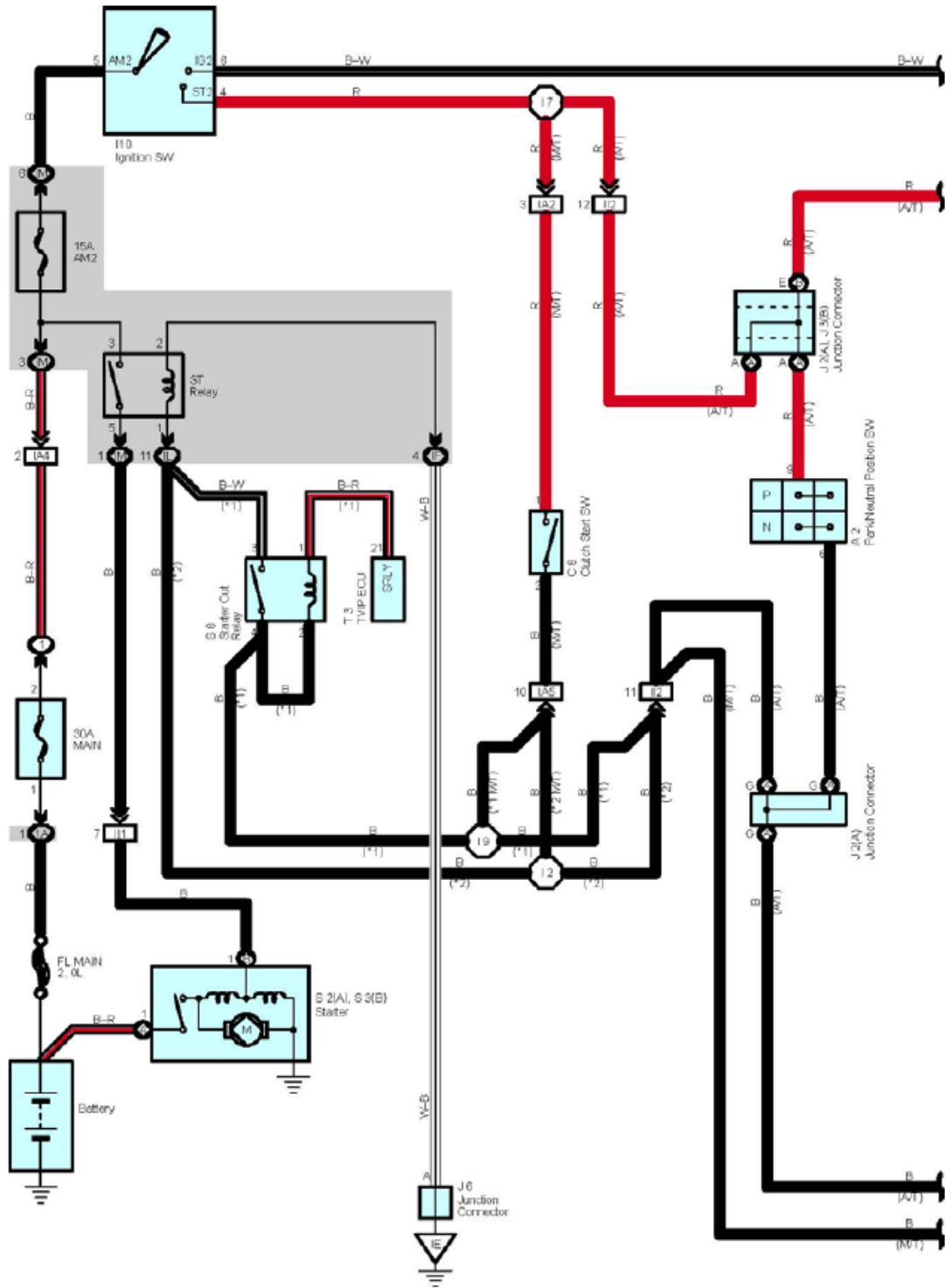
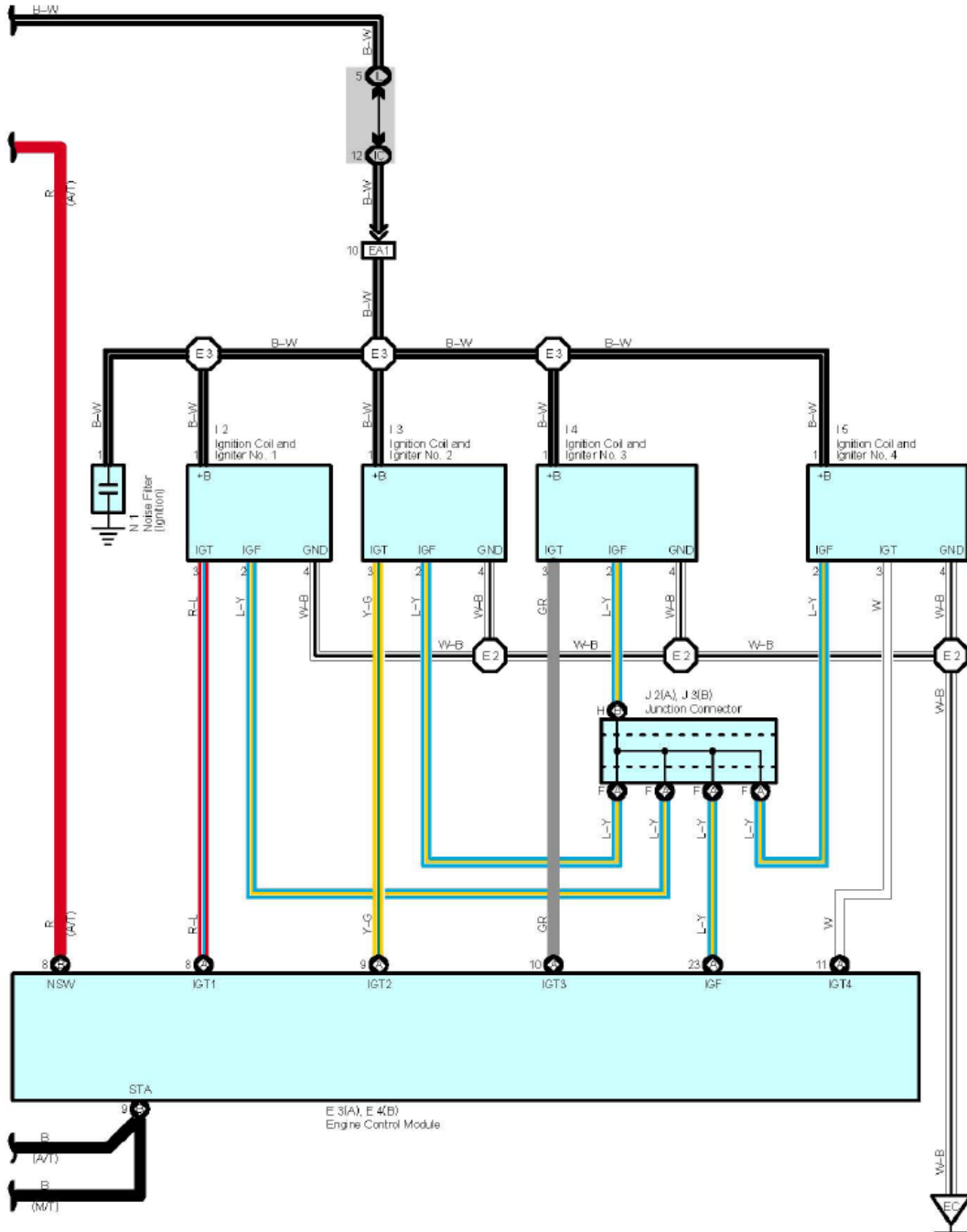


Starting and Ignition





ServiceHints

I10 Ignition SW

5-4 : Closed with the ignition SW at ST position

5-6 : Closed with the ignition SW at ON or ST position

S2 (A), S3 (B) Starter

Points closed with the shift lever at P or N position and the ignition SW at ST

position (A/T) Points closed with the clutch pedal depressed and the ignition SW at ST position (M/T)

Relay Blocks

Code	Relay Blocks (Relay Block Location)
1	Engine Room R/B (Engine Compartment Left)

Junction Block and Wire Harness Connector

Code	Junction Block and Wire Harness (Connector Location)
IC	Engine Room Main Wire and Instrument Panel J/B (Lower Finish Panel)
IF	Instrument Panel Wire and Instrument Panel J/B (Lower Finish Panel)()
IL	
IM _	
1A	Engine Wire and Engine Room J/B (Engine Compartment Left)

Connector Joining Wire Harness and Wire Harness

Code	Joining Wire Harness and Wire Harness (Connector Location)
EA1	Engine Wire and Engine Room Main Wire (Inside of the Engine Room R/B)
IA2	Engine Room Main Wire and Instrument Panel Wire (Left Side of the Instrument Panel Reinforcement)g ()
IA4 _	
IA5 _	
II1	Engine Wire and Instrument Panel Wire (Blower Unit RH) Engine Wire and Instrument Panel Wire (Blower Unit RH)
II2 _	

Ground Points

Code	Ground Points Location
EC	Left Side of the Cylinder Head
IE	Behind the Combination Meter

Splice Points

Code	Wire Harness with Splice Points	Code	See Page	Wire Harness with Splice Points
E2	Engine Wire	I7	4242	Instrument Panel Wire Instrument Panel Wire
E3 _	19			
I2	Instrument Panel Wire			