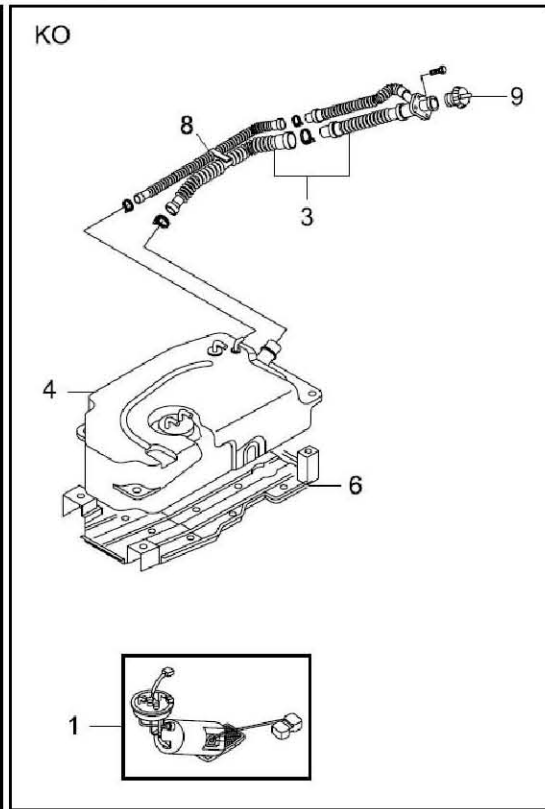
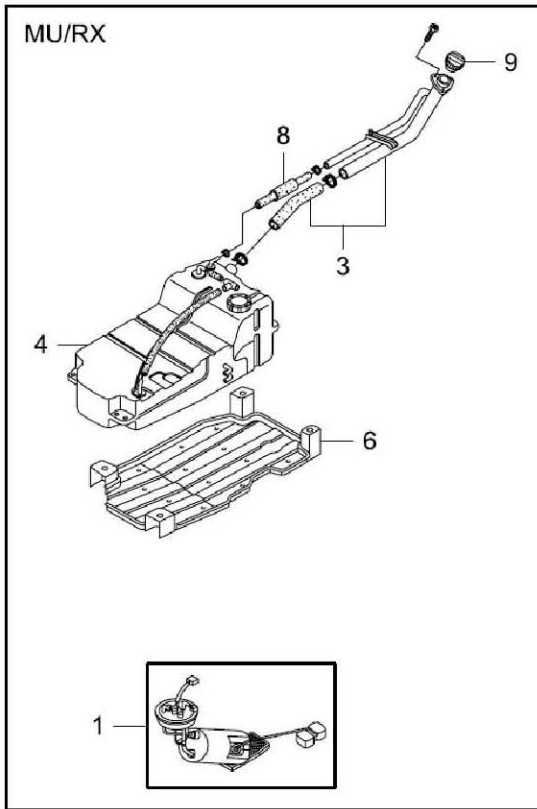
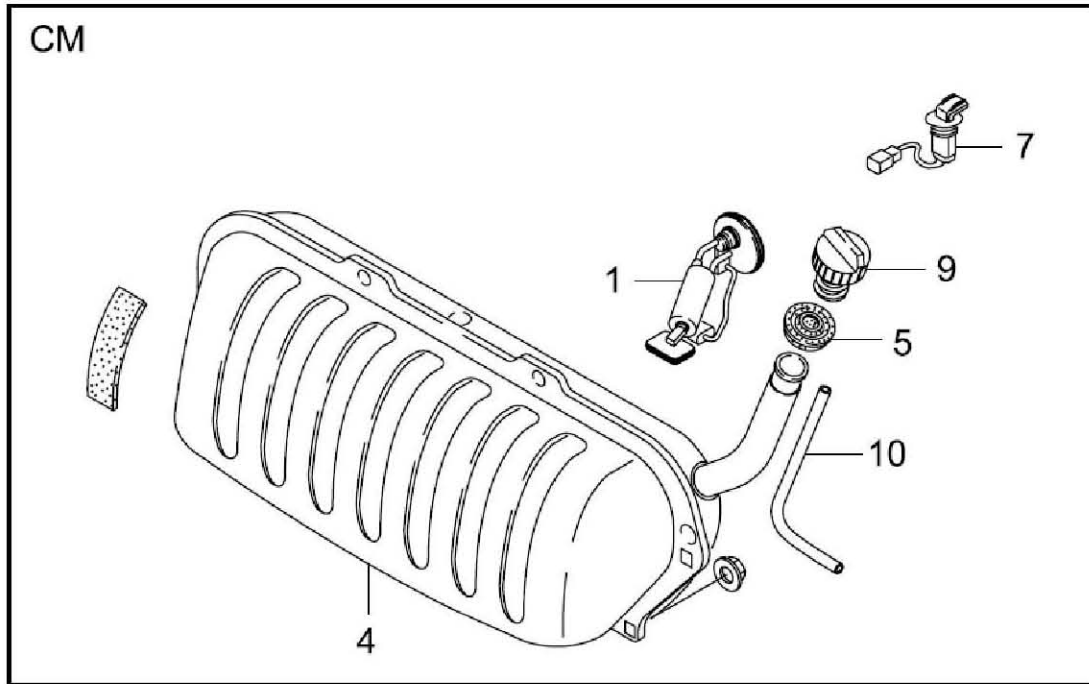


1F - ENGINE CONTROLS

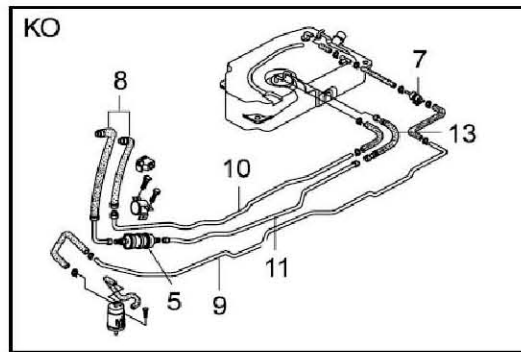
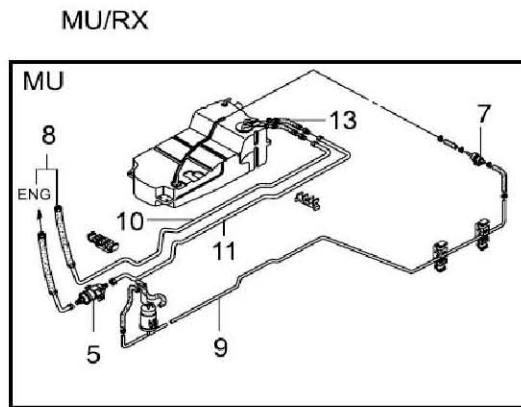
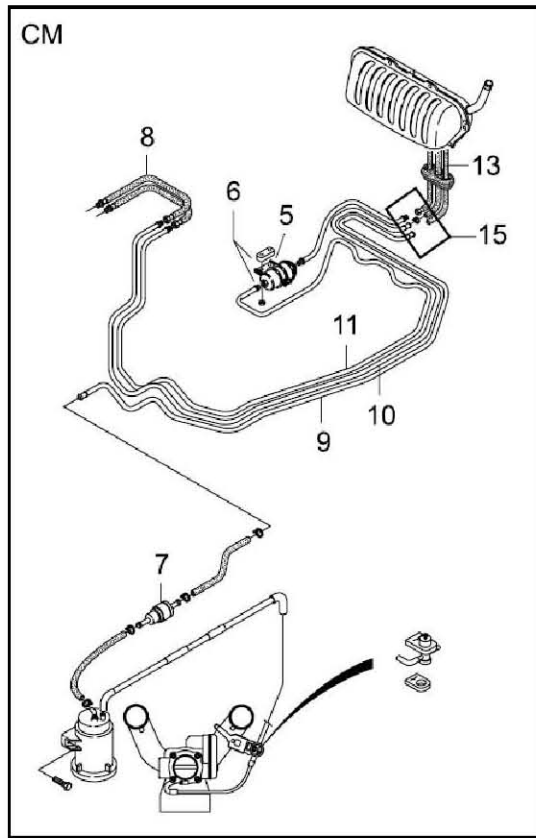
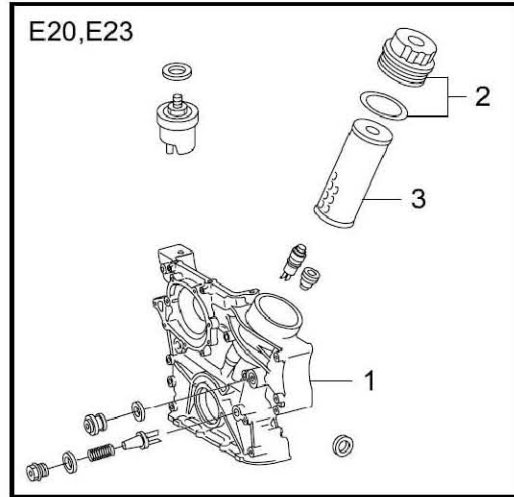
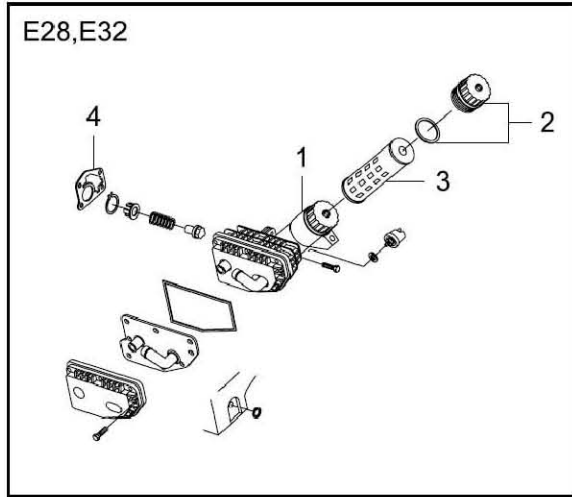
LAUNCH

LAUNCH

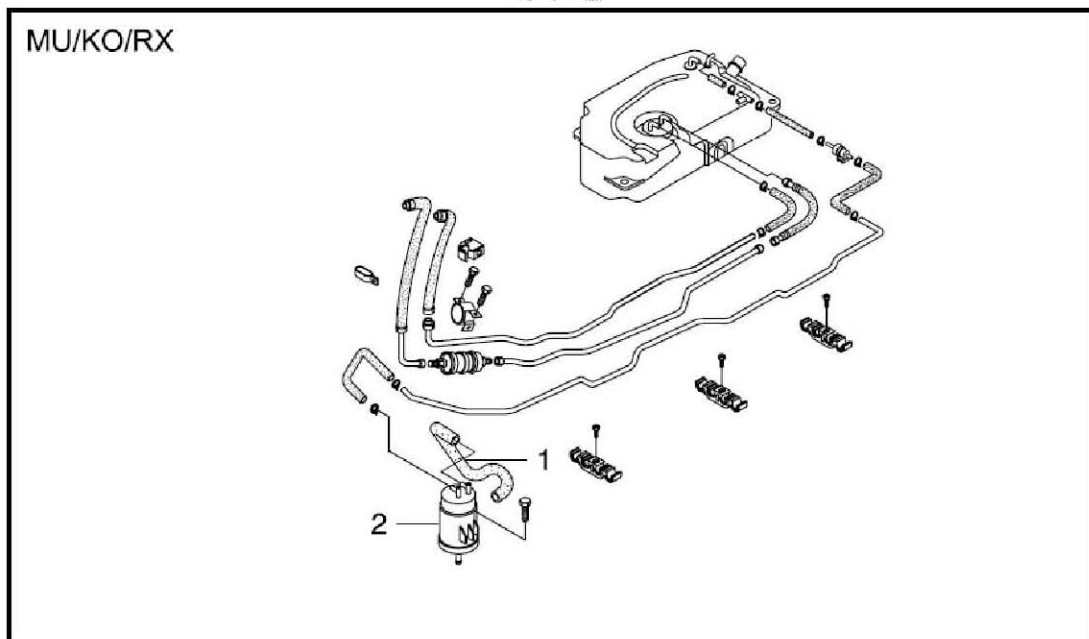
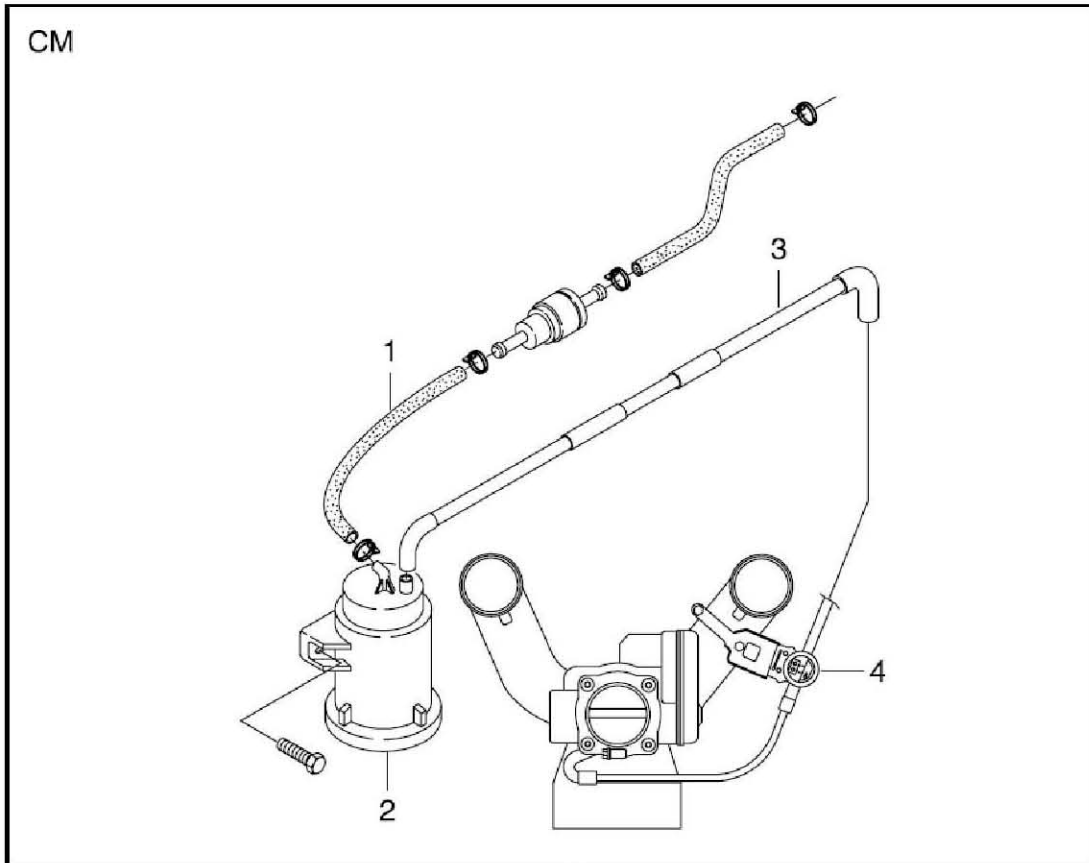


ENGINE CONTROLS - FUEL TANK (171)								
NO.	OPERATION DESCRIPTION	OPERATION CODE	CM		MU/KO		RX	
			2.0/ 2.3	2.8/ 3.2	2.0/ 2.3	2.8/ 3.2	2.0/ 2.3	2.8/ 3.2
1	PUMP, FUEL AND/OR GAUGE, ORING - REPLACE	1710300	0.7	0.7	0.7	0.7	0.7	0.7
2	AIR BLEEDING, FUEL	1710400	-	-	0.5	0.5	0.5	0.5
3	NECK, FUEL TANK FILLER - REPLACE	1710500	-	-	0.7	0.7	0.7	0.7
4	TANK, FUEL - REPLACE	1710900	1.1	1.1	1.3	1.3	1.3	1.3
5	GROMMET, FUEL FILLER - REPLACE	1711300	0.2	0.2	-	-	-	-
6	PROTECTOR, FUEL TANK - REPLACE	1712200	-	-	0.3	0.3	0.3	0.3
7	VALVE, ROLLOVER - REPLACE	1712410	0.3	0.3	-	-	-	-
8	HOSE, AIR VENT - REPLACE	1713500	-	-	0.7	0.7	0.7	0.7
9	CAP, FUEL TANK - REPLACE	1713600	0.2	0.2	0.2	0.2	0.2	0.2

CM : CHAIRMAN, MU : MUSSO, KO : KORANDO, RX : REXTON



ENGINE CONTROLS - FUEL LINE (172)								
NO.	OPERATION DESCRIPTION	OPERATION CODE	CM		MU/KO		RX	
			2.0/ 2.3	2.8/ 3.2	2.0/ 2.3	2.8/ 3.2	2.0/ 2.3	2.8/ 3.2
1	HOUSING, OIL FILTER - REPLACE	1720200	2.7	2.7	2.7	2.7	2.7	2.7
2	COVER, OIL FILTER HOUSING - REPLACE	1720230	0.2	0.2	0.2	0.2	0.2	0.2
3	FILTER, OIL - REPLACE	1720240	0.5	0.5	0.5	0.5	0.5	0.5
4	GASKET, OIL FILTER - REPLACE	1720250	2.7	2.7	2.7	2.7	2.7	2.7
5	FILTER, FUEL ELEMENT - REPLACE	1720300	0.3	0.3	0.2	0.2	0.2	0.2
6	BRACKET, FUEL FILTER - REPLACE	1720310	0.4	0.4	-	-	-	-
7	VALVE, 2WAY CHECK - REPLACE	1720330	0.5	0.5	0.5	0.5	0.5	0.5
8	HOSE, FUEL RETURN OR SUPPLY - REPLACE	1720340	0.3	0.3	0.3	0.3	0.3	0.3
9	PIPE, FUEL VAPOR - REPLACE	1720600	1.0	1.0	1.0	1.0	1.0	1.0
10	PIPE, FUEL RETURN - REPLACE	1720700	1.0	1.0	0.7	0.7	0.7	0.7
11	PIPE, FUEL SUPPLY - REPLACE	1720760	1.0	1.0	0.7	0.7	0.7	0.7
12	ANOTHER HOSE, FUEL - REPLACE each	1720870	0.3	0.3	0.3	0.3	0.3	0.3
13	HOSE, FUEL(TANK TO PIPE) - REPLACE each	1721300	0.3	0.3	0.3	0.3	0.3	0.3
14	HOSE, 2WAY CHECK VALVE INLET - REPLACE	1723400	0.2	0.2	-	-	-	-

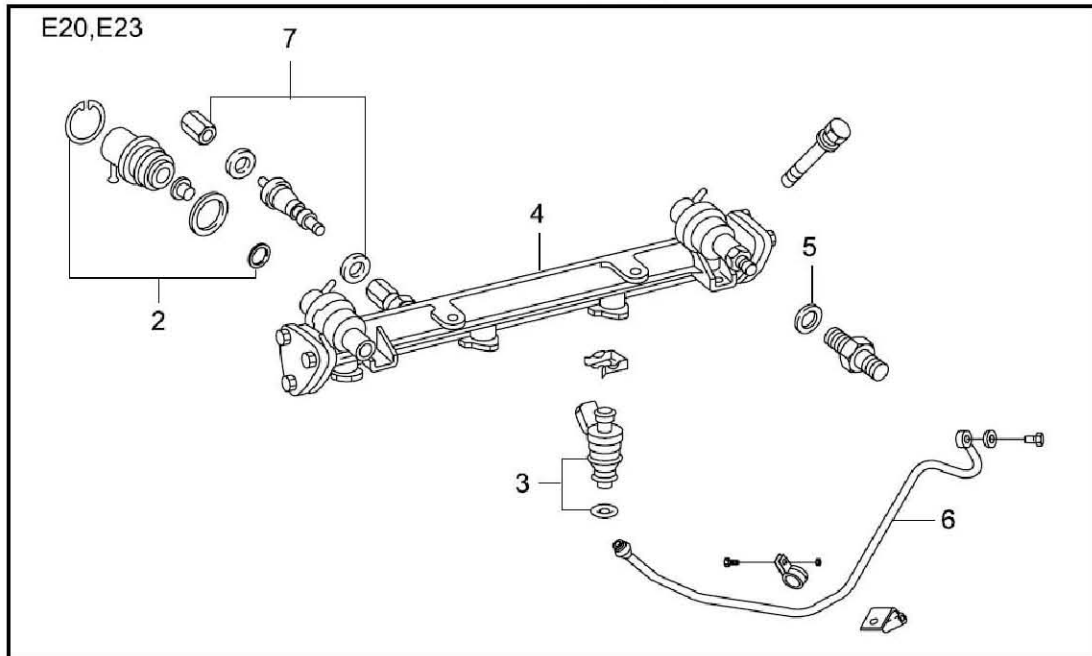
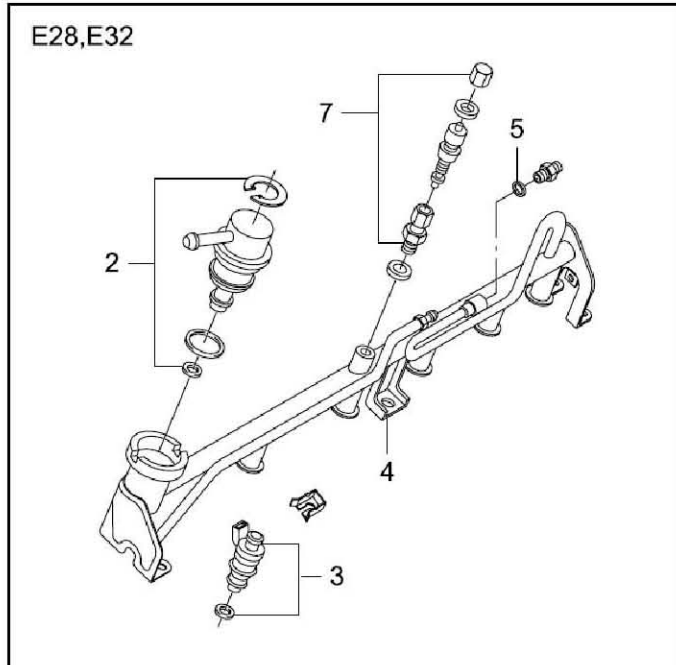
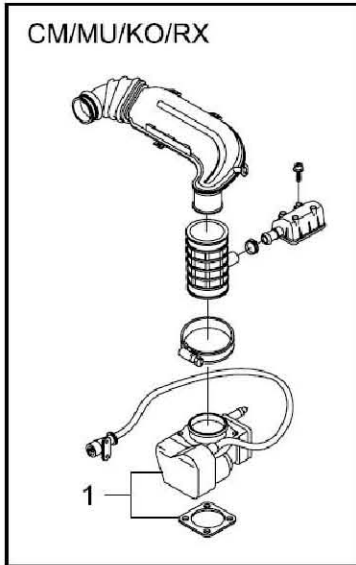


ENGINE CONTROLS - CANISTER & FUEL VACUUM (173)

NO.	OPERATION DESCRIPTION	OPERATION CODE	CM		MU/KO		RX	
			2.0/ 2.3	2.8/ 3.2	2.0/ 2.3	2.8/ 3.2	2.0/ 2.3	2.8/ 3.2
1	HOSE OR PIPE, 2WAY CHECK VALVE TO CANISTER - REPLACE	1731410	0.2	0.2	0.3	0.3	0.3	0.3
2	CANISTER, FUEL VAPOR - REPLACE	1731500	0.3	0.3	0.4	0.4	0.4	0.4
3	PIPE, CANISTER TO PURGE CONTROL VALVE - REPLACE	1731910	0.3	0.3	0.3	0.3	0.3	0.3
4	SOLENOID, EVAP EMISSION PURGE - REPLACE	1732700	0.3	0.3	0.3	0.3	0.3	0.3

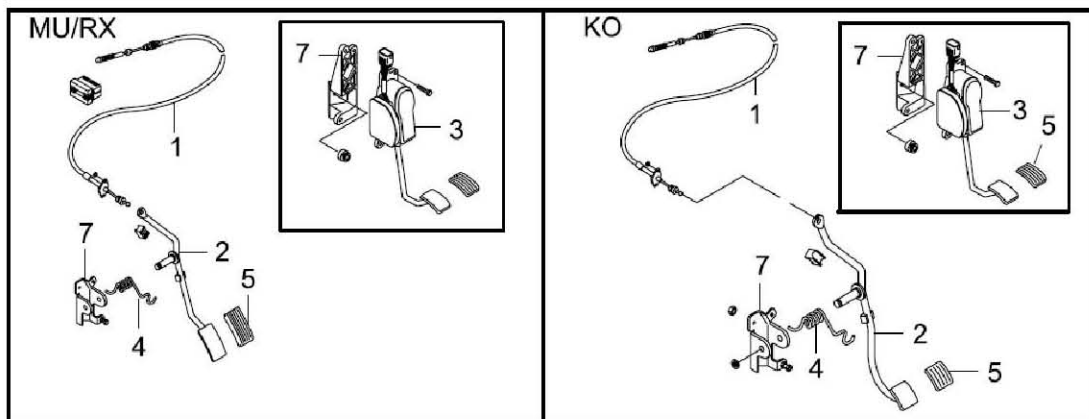
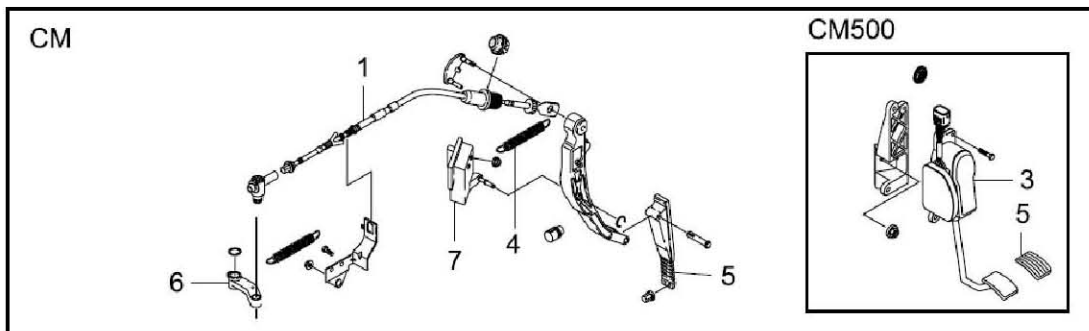
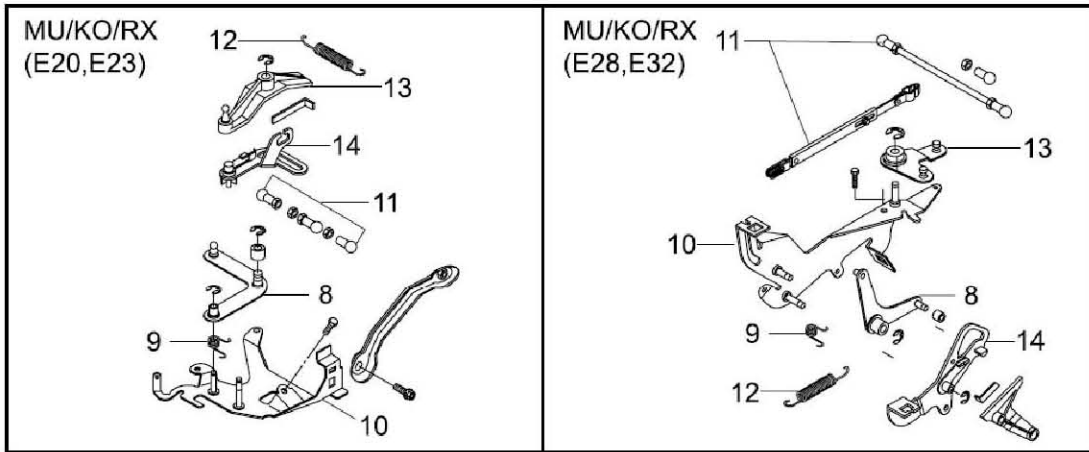
LAUNCH

CM : CHAIRMAN, MU : MUSSO, KO : KORANDO, RX : REXTON



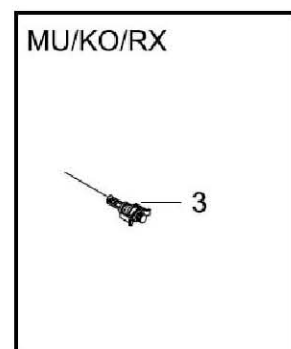
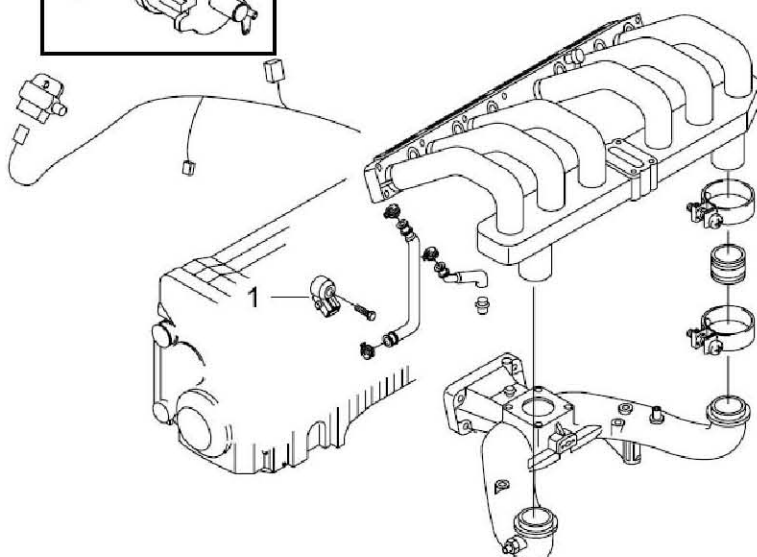
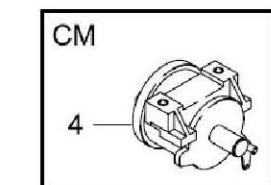
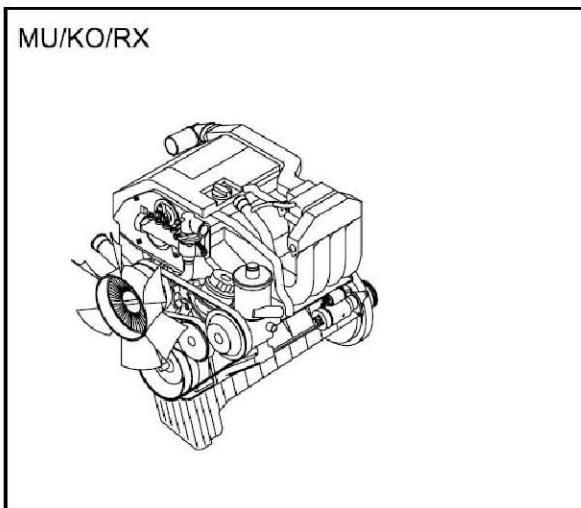
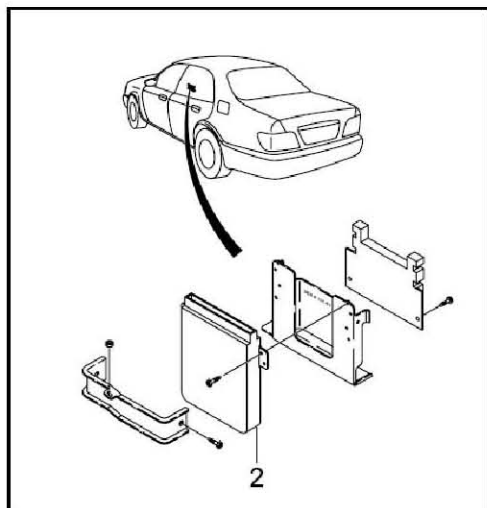
ENGINE CONTROLS - FUEL INJECTION (181)								
NO.	OPERATION DESCRIPTION	OPERATION CODE	CM		MU/KO		RX	
			2.0/ 2.3	2.8/ 3.2	2.0/ 2.3	2.8/ 3.2	2.0/ 2.3	2.8/ 3.2
1	BODY, THROTTLE DOHC - REPLACE	1810300	1.8	1.8	0.8	0.8	0.8	0.8
2	REGULATOR AND/OR GASKETS DOHC - REPLACE	1810900	0.3	0.3	0.3	0.3	0.3	0.3
3	INJECTOR, FUEL (ONE OR ALL) DOHC - REPLACE	1811200	1.1	1.1	1.1	1.1	1.1	1.1
4	RAIL, FUEL DOHC - REPLACE	1811400	1.1	1.1	1.0	1.0	1.0	1.0

CM : CHAIRMAN, MU : MUSSO, KO : KORANDO, RX : REXTON



ENGINE CONTROLS - ACCELERATOR CONTROL (182)								
NO.	OPERATION DESCRIPTION	OPERATION CODE	CM		MU/KO		RX	
			2.0/ 2.3	2.8/ 3.2	2.0/ 2.3	2.8/ 3.2	2.0/ 2.3	2.8/ 3.2
1	CABLE, ACCELERATOR CONTROL - REPLACE	1820300	0.4	0.4	0.4	0.4	-	-
2	PEDAL, ACCELERATOR - REPLACE	1820500	0.2	0.2	0.4	0.4	-	-
3	MODULE, ACCELERATOR PEDAL - REPLACE	1820600	0.2	0.2	0.3	0.3	0.3	0.3
4	SPRING, THROTTLE RETURN - REPLACE	1820700	0.2	0.2	0.2	0.2	-	-
5	PAD, ACCELERATOR PEDAL - REPLACE	1821100	0.4	0.4	0.2	0.2	0.2	0.2
6	ARM AND GUIDE, ACCELERATOR CABLE - REPLACE	1821200	0.6	0.6	-	-	-	-
7	BRACKET, ACCELERATOR PEDAL MOUNT - REPLACE	1821230	0.5	0.5	0.4	0.4	-	-
8	LEVER, ACCELERATOR CONTROL - REPLACE	1822310	-	-	0.3	0.3	-	-
9	SPRING, ACCELERATOR CONTROL - REPLACE	1822330	-	-	0.2	0.2	-	-
10	BRACKET, ACCELERATOR CONTROL LEVER BEARING-REPLACE	1822340	-	-	0.5	0.5	-	-
11	ROD, CONNECTING - REPLACE	1822350	-	-	0.3	0.3	-	-
12	LEVER, REVERSING - REPLACE	1822380	-	-	0.4	0.4	-	-
13	LEVER, SLOTTED GATE - REPLACE	1822400	-	-	0.4	0.4	-	-

CM : CHAIRMAN, MU : MUSSO, KO : KORANDO, RX : REXTON



ENGINE CONTROLS - EMISSION CONTROL (186)								
NO.	OPERATION DESCRIPTION	OPERATION CODE	CM		MU/KO		RX	
			2.0/ 2.3	2.8/ 3.2	2.0/ 2.3	2.8/ 3.2	2.0/ 2.3	2.8/ 3.2
1	SENSOR, KNOCK - REPLACE	1861300	1.6	1.6	0.8	each 0.8	0.8	each 0.8
2	ECU (ENGINE) - REPLACE	1862110	0.5	0.5	0.8	0.8	0.8	0.8
3	SENSOR, AIR TEMPERATURE - REPLACE	1862120	-	-	0.8	0.8	-	-
4	SENSOR, ACCELERATOR - REPLACE	1862130	1.2	1.2	-	-	-	-

LAUNCH

CM : CHAIRMAN, MU : MUSSO, KO : KORANDO, RX : REXTON

LAUNCH