

## EXTERIOR

### HOOD

#### REPLACEMENTS

##### HOOD ASSEMBLY REPLACEMENT

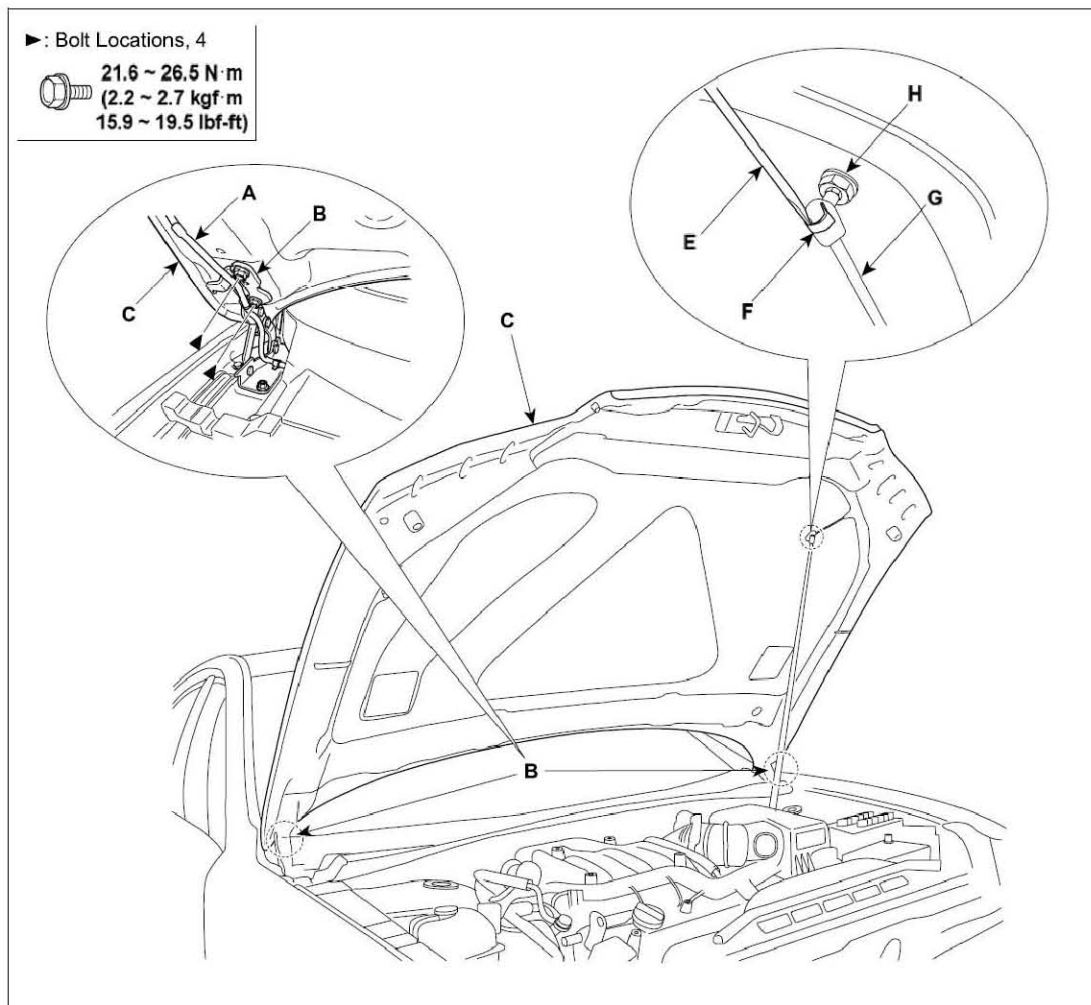
###### NOTE

- When removing and installing the hood, an assistant is necessary.
- Take care not to damage the hood and body.
- When removing the clips, use a clip remover.

1. Disconnect the windshield washer nozzle connecting tube (A).
2. After loosen the hood hinge (B) mounting bolts, remove the hood (C).
3. Using a screwdriver (E), lift up slightly the socket clips (F) of both ends on the lifer (G), and then remove the lifter from the bracket (H).
4. Installation is the reverse of removal.

###### NOTE

- Make sure the hood opens properly and locks securely.
- Adjust the hood alignment(See page BD-13).



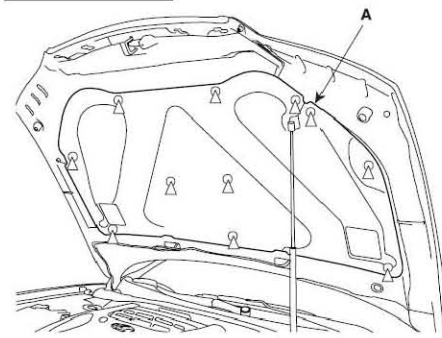
**HOOD INSULATOR REPLACEMENT**

1. Using a clip remover, detach the clips, and remove the hood insulator (A).

**NOTE**

- Take care not to scratch the hood panel.

▷ : Clip Locations, 11



2. Installation is the reverse of removal.

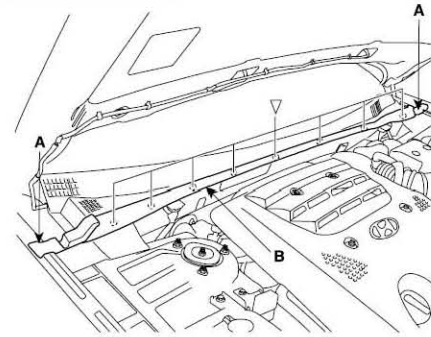
**NOTE**

- Replace any damaged clips.

**HOOD SEAL WEATHERSTRIP REPLACEMENT**

1. Detach the clips, then remove the hood weatherstrip (A).  
Take care not to scratch the hood.

▷ : Clip Locations, 12



2. Installation is the reverse of removal.

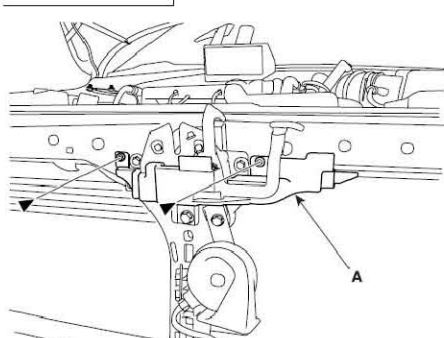
**NOTE**

- Replace any damaged clips.

**HOOD LATCH REPLACEMENT**

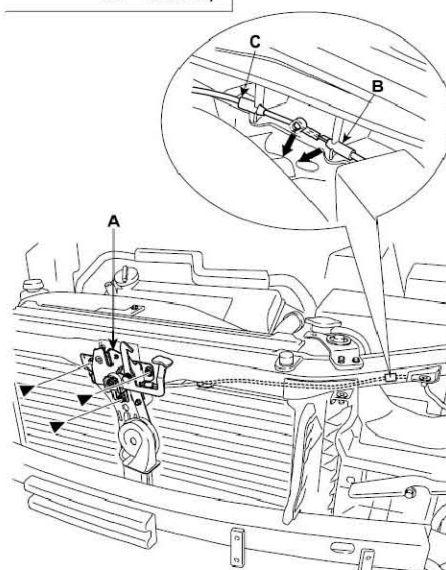
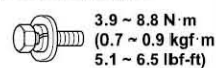
1. Remove the front bumper cover (See page BD-88).
2. Detach the clips, then remove the hood latch cover (A).

▶ : Clip Locations, 2



3. Remove the hood latch (A) mounting bolts.
4. Disconnect the hood latch cable (B) and release cable (C).

▶ : Bolt Locations, 3



5. Installation is the reverse of removal.

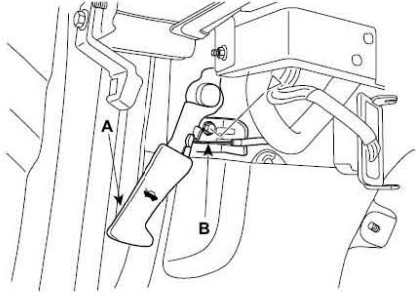
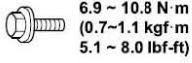
**NOTE**

- Make sure the hood latch cable is connected properly.
- Make sure the hood locks securely.

**HOOD RELEASE HANDLE REPLACEMENT**

1. Remove the mounting bolt, then remove the hood release handle (A).
2. Disconnect the hood latch cable (B) from the hood release handle. Take care not to bend the cable.

▷ Bolt Locations, 1



3. Installation is the reverse of removal.

**NOTE**

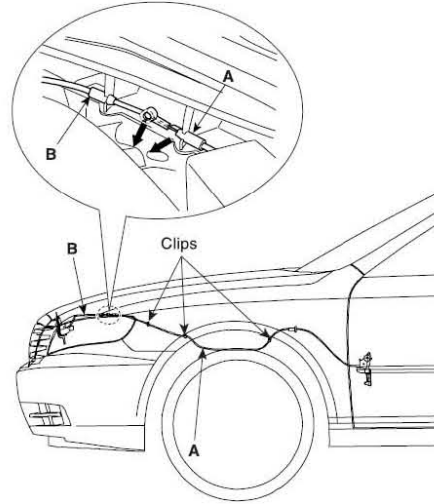
- Make sure the hood latch cable is connected properly.
- Make sure the hood locks securely.

**HOOD LATCH CABLE REPLACEMENT**

1. Remove the following items.
  - Hood release handle(See page BD-11).
  - Wheel guard(See page BD-42).
2. Using a clip remover, detach the clips from the body, then disconnect the hood latch cable (A) and release cable (B).

**NOTE**

Take care not to bend the cable.



3. Installation is the reverse of removal.

**NOTE**

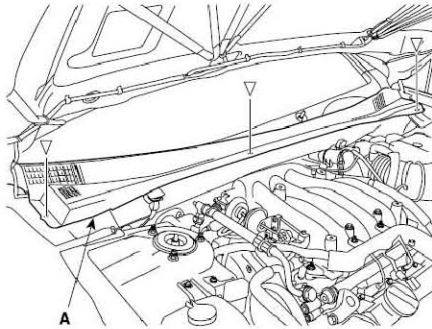
- Make sure the hood latch cable is connected properly.
- Replace any damaged clips.

LAC

**COWL TOP COVER REPLACEMENT**

1. Remove the wiper (See page BE-"Windshield Wiper").
2. Remove the hood seal weatherstrip(See page BD-8).
3. Detach the clips, then remove the cowl top cover (A).

▷: Clip Locations, 3



4. Installation is the reverse of removal.

LAUNCH  
LAU.

**ADJUSTMENT****ADJUST HOOD**

1. After loosening the hinge (A) mounting bolt, adjust the hood (B) by moving it up or down, or right or left.
2. Adjust the hood height by turning the hood overslam bumpers (C).
3. After loosening the hood latch (D) mounting bolts, adjust the latch by moving it up or down, or right or left.

