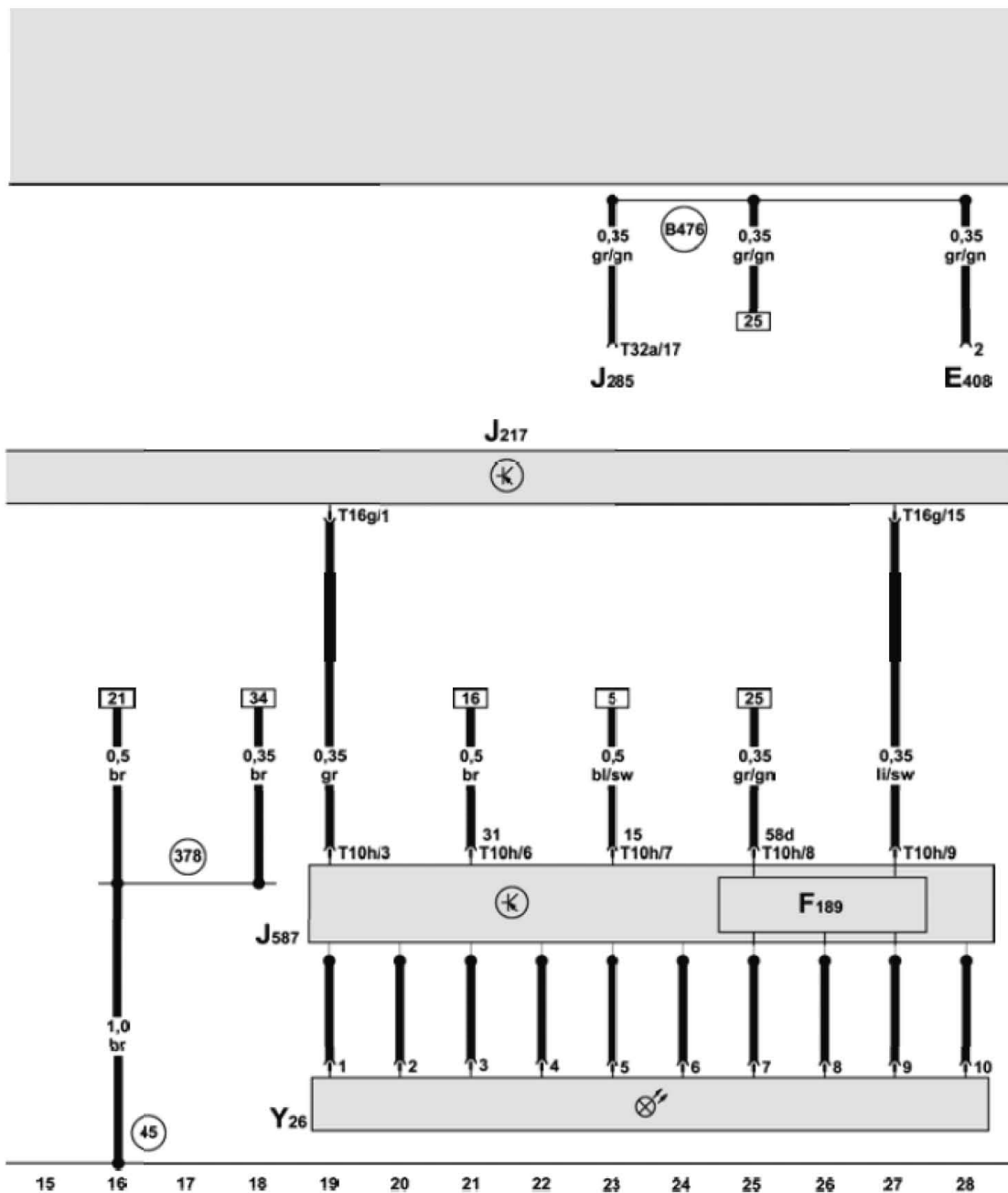


- T46b - 46-pin connector, black, CAN separating connector right
- 35 - Earth point, under front passenger seat
- 387 - Earth connection 22, in main wiring harness
- B163 - Positive connection 1 (15), in interior wiring harness
- B273 - Positive connection (15), in main wiring harness
- B283 - Positive connection 7 (15a), in main wiring harness
- B299 - Positive connection 3 (30), in main wiring harness
- B300 - Positive connection 4 (30), in main wiring harness
 - CAN bus (data wire)
 - Relay and fuse carrier under driver seat



ws = white sw = black ro = red br = brown gn = green bl = blue
 gr = grey li = purple ge = yellow or = orange rs = pink

Automatic gearbox control unit, selector lever sensors control unit, Tiptronic switch, selector lever position display

E408 - Entry and start authorisation button

F189 - Tiptronic switch

J217 - Automatic gearbox control unit

J285 - Control unit in dash panel insert

J587 - Selector lever sensors control unit

T10h - 10-pin connector, black, on selector lever sensors control unit

T16g - 16-pin connector, black, on automatic gearbox control unit

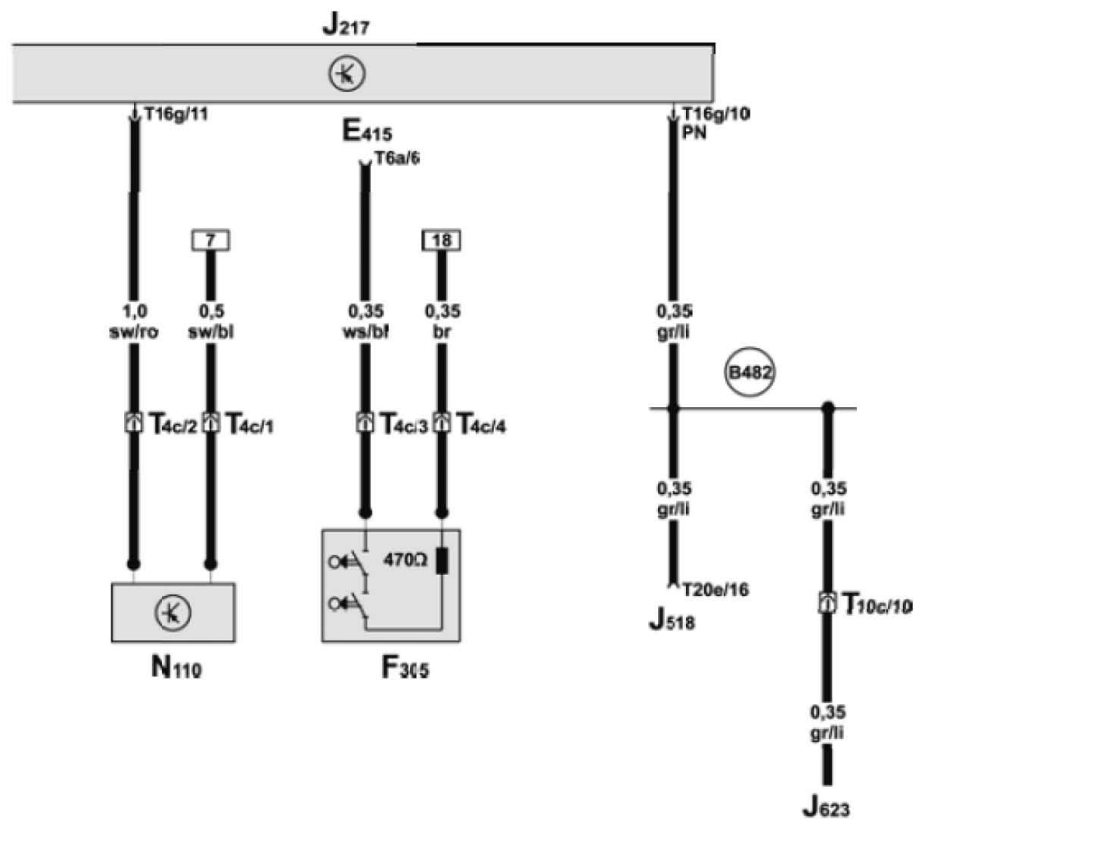
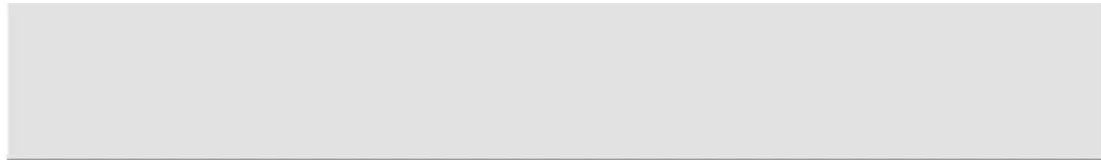
T32a - 32-pin connector, grey, on control unit in dash panel insert

Y26 - Selector lever position display

45 - Earth point, centre behind dash panel

378 - Earth connection 13, in main wiring harness

B476 - Connection 12, in main wiring harness



29	30	31	32	33	34	35	36	37	38	39	40	41	42
ws = white	sw = black	ro = red	br = brown	gn = green	bl = blue								
gr = grey	li = purple	ge = yellow	or = orange	rs = pink									

Automatic gearbox control unit, gear selector position P switch, selector lever lock solenoid

E415 - Entry and start authorisation switch

F305 - Gear selector position P switch

J217 - Automatic gearbox control unit

J518 - Entry and start authorisation control unit

J623 - Engine control unit

N110 - Selector lever lock solenoid

T4c - 4-pin connector, black, in centre console on selector lever console

T6a - 6-pin connector, on entry and start authorisation switch

T10c - 10-pin connector, pink, coupling station on electronics box, plenum chamber

T16g - 16-pin connector, black, on automatic gearbox control unit

T20e - 20-pin connector, black, on entry and start authorization control unit

B482 - Connection 18, in main wiring harness

- see engine Current Flow Diagram

LAUNCH