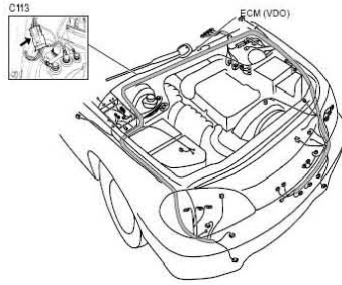


c. POSITION OF CONNECTORS AND GROUNDS

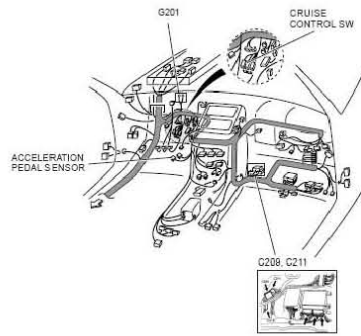
CRUISE CONTROL SW



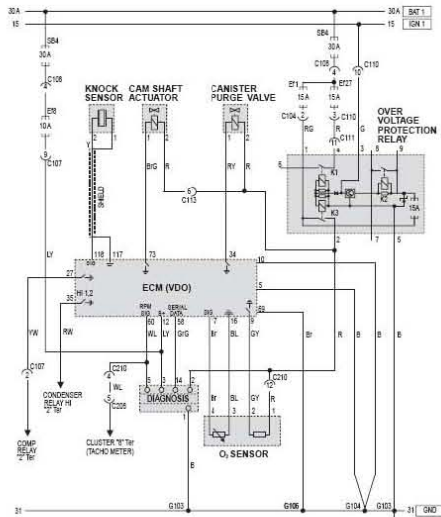
• WITH ENGINE ROOM



• WITH MAIN : FRONT



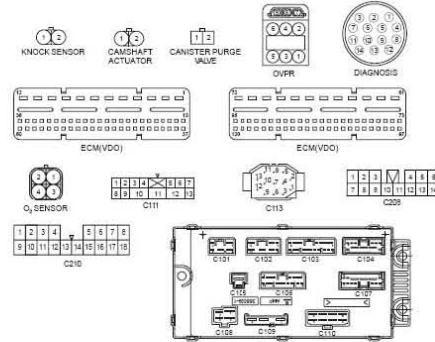
2) KNOCK SENSOR, CAMSHAFT ACTUATOR, CANISTER PURGE VALVE, DIAGNOSIS, O₂ SENSOR (HFM)



a. CONNECTOR INFORMATION

CONNECTOR NUMBER	WIRING HARNESS	GROUND POSITION
G103	Engine Room	Behind Right Head Lamp
G104	Engine Room	Front ECM of Engine Room
G106	Engine Control	Front ECM of Engine Room

b. CONNECTOR IDENTIFICATION SYMBOL & PIN NUMBER POSITION

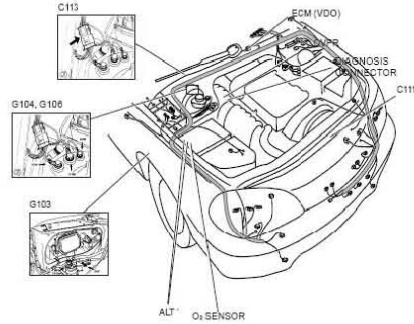


c. POSITION OF CONNECTORS AND GROUNDS

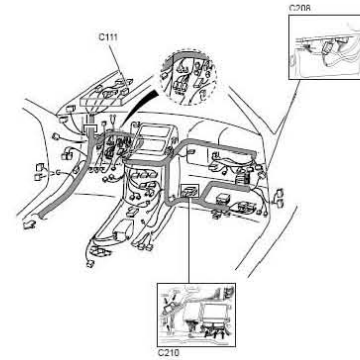
DIAGNOSIS CONTROL



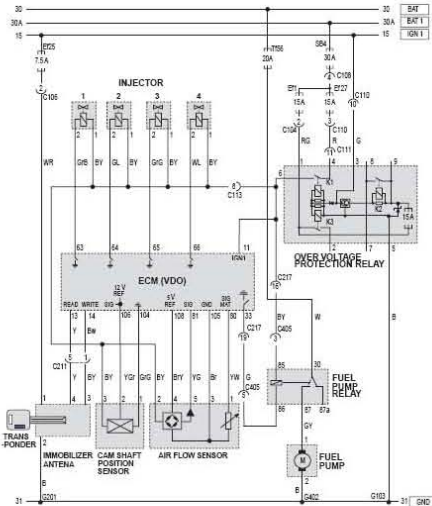
• WIH ENGINE ROOM



• WIH MAIN : FRONT



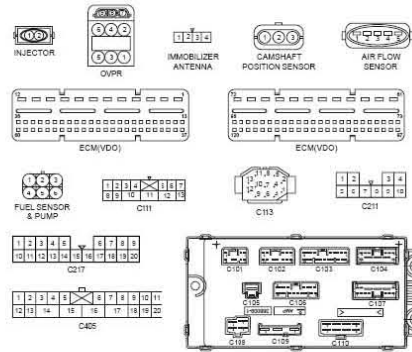
3) IMMOBILIZER, INJECTOR, CAMSHAFT POSITION SENSOR, AIR FLOW METER, FUEL PUMP



a. CONNECTOR INFORMATION

CONNECTOR NUMBER	WIRING HARNESS	GROUND POSITION
G103	Engine Room	Behind Right Head Lamp
G201	Main	Above Driver Seat Leg Room
G402	Trunk	Right side Panel of Trunk

b. CONNECTOR IDENTIFICATION SYMBOL & PIN NUMBER POSITION



c. POSITION OF CONNECTORS AND GROUNDS

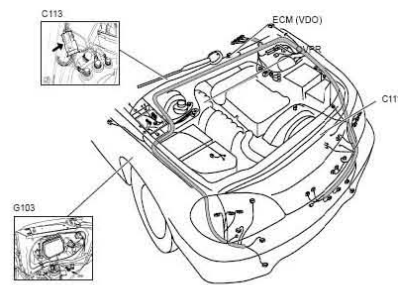
OVPR



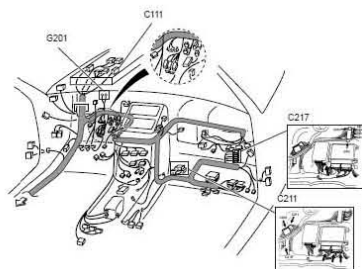
FUEL PUMP



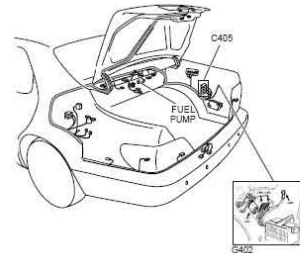
• W/ENGINE ROOM



• W/MAIN : FRONT

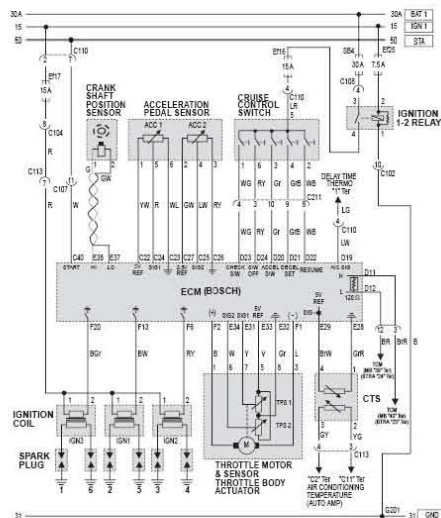


• W/ TRUNK



5. ECM (600,BOSCH)

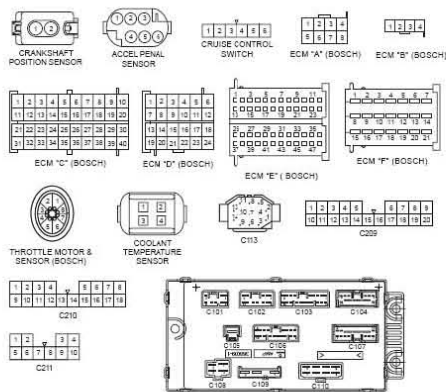
1) CPS, APS, CRUISE CONTROL, IGNITION COIL, TPS, CTS



a. CONNECTOR INFORMATION

CONNECTOR NUMBER	WIRING HARNESS	GROUND POSITION
G201	Main	Above Driver Seat Leg Room

b. CONNECTOR IDENTIFICATION SYMBOL & PIN NUMBER POSITION

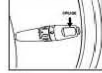


c. POSITION OF CONNECTORS AND GROUNDS

ACCELERATION PEDAL SENSOR



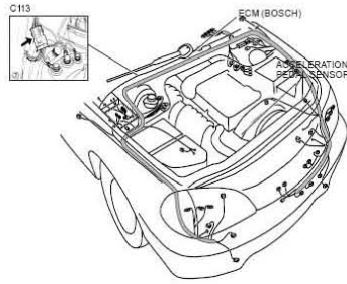
CRUISE CONTROL SW



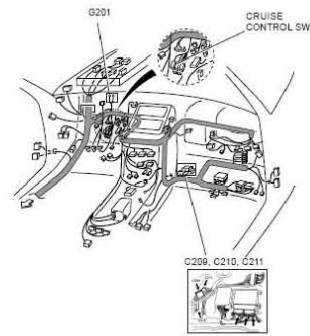
ECM



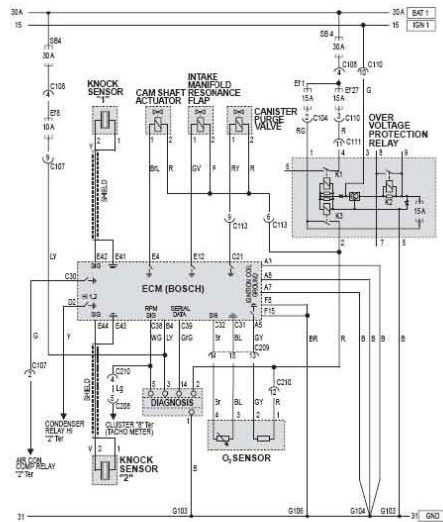
• WITH ENGINE ROOM



• WITH MAIN : FRONT



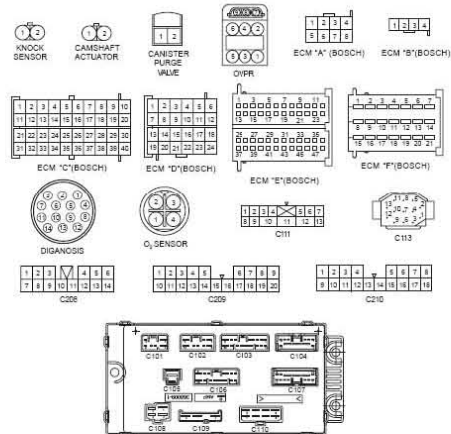
2) KNOCK SENSOR "1", "2", RESONANCE FLAP, CAMSHAFT ACTUATOR, O₂ SENSOR, CANISTER PURGE VALVE, DIAGNOSIS



a. CONNECTOR INFORMATION

CONNECTOR NUMBER	WIRING HARNESS	GROUND POSITION
G103	Engine Room	Behind Right Head Lamp
G104	Engine Room	Front ECM of Engine Room
G106	Engine Control	Front ECM of Engine Room

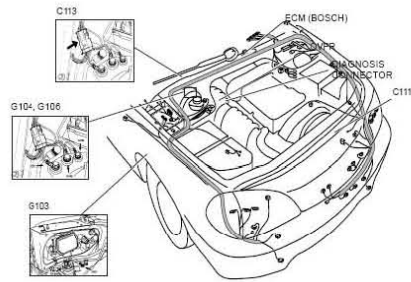
b. CONNECTOR IDENTIFICATION SYMBOL & PIN NUMBER POSITION



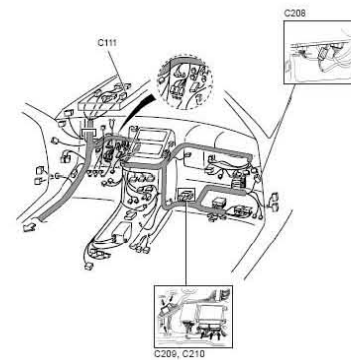
c. POSITION OF CONNECTORS AND GROUNDS

• WITH ENGINE ROOM

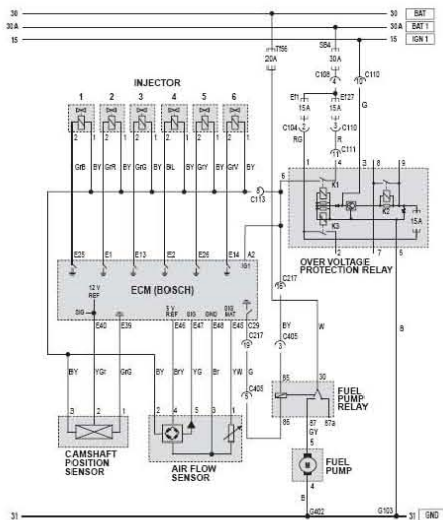
DIAGNOSIS CONNECTOR



• WITH MAIN : FRONT



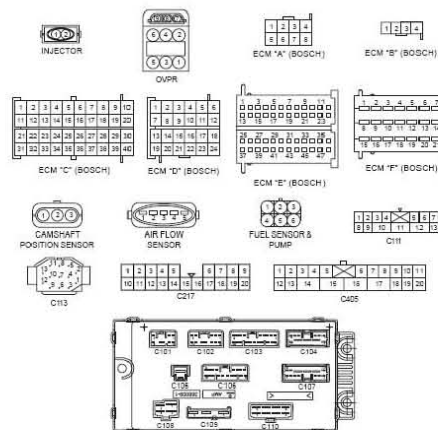
3) INJECTOR, CAMSHAFT POSITION SENSOR, AIR FLOW METER, FUEL PUMP



a. CONNECTOR INFORMATION

CONNECTOR NUMBER	WIRING HARNESS	GROUND POSITION
G103	Engine Room	Behind Right Head Lamp
G402	Trunk	Right Side Panel of Trunk

b. CONNECTOR IDENTIFICATION SYMBOL & PIN NUMBER POSITION



c. POSITION OF CONNECTORS AND GROUNDS

OVR



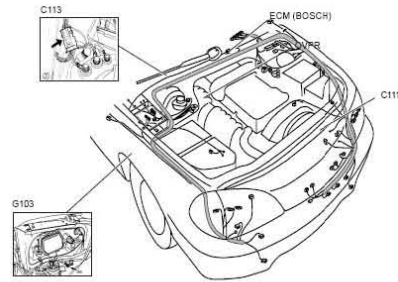
FUEL PUMP



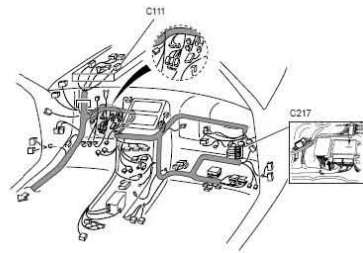
ECM



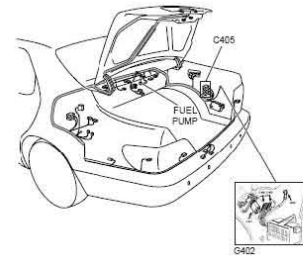
• W/ENGINE ROOM



• W/H MAIN : FRONT

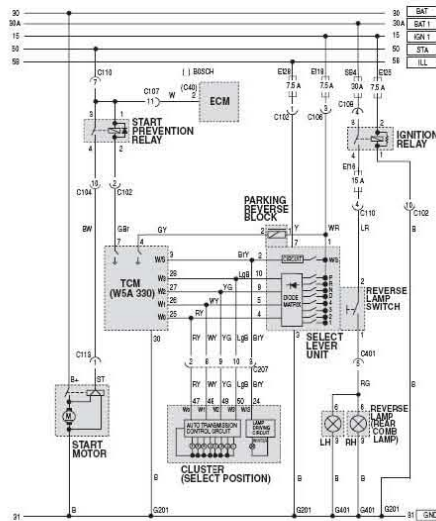


• W/H TRUNK



6. TCM (W5A 330, EGS)

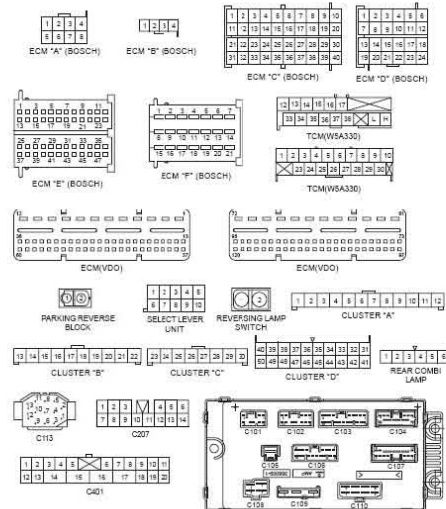
1) START MOTOR, SELECT POSITION, REVERSE LAMP, PARKING BLOCK



a. CONNECTOR INFORMATION

CONNECTOR NUMBER	WIRING HARNESS	GROUND POSITION
G201	Main	Above Driver Seat Leg Room
G401	Trunk	Left Side Panel of Trunk

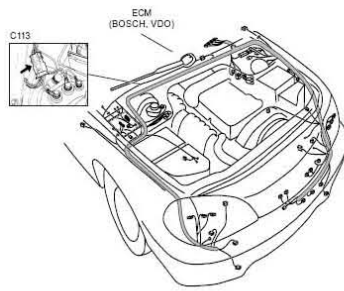
b. CONNECTOR IDENTIFICATION SYMBOL & PIN NUMBER POSITION



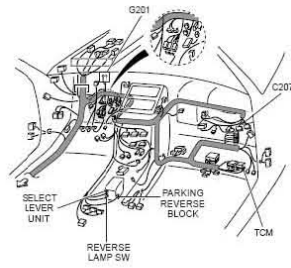
c. POSITION OF CONNECTORS AND GROUNDS



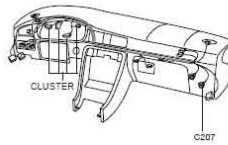
• WH ENGINE ROOM



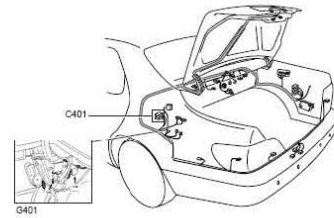
• WH MAIN : FRONT



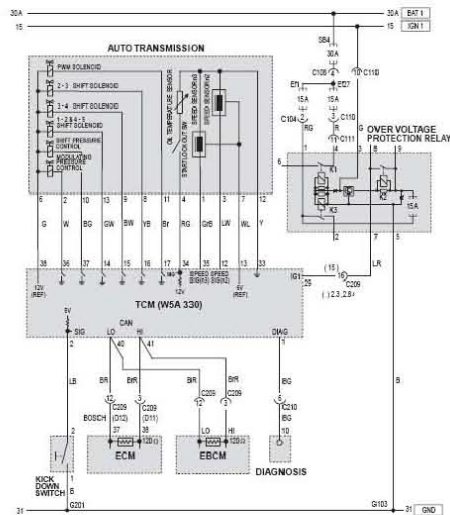
• WH INSTRUMENT PANEL



• WH TRUNK



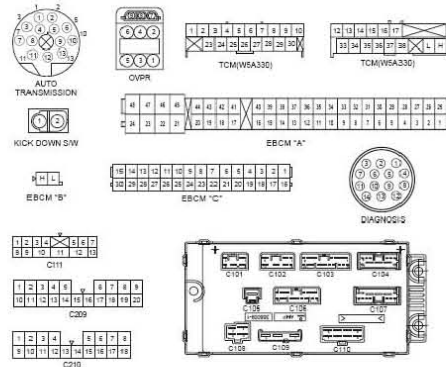
2) VALVE SOLENOID, SPEED SENSOR, KICK-DOWN SWITCH



a. CONNECTOR INFORMATION

CONNECTOR NUMBER	WIRING HARNESS	GROUND POSITION
G103	Engine Room	Behind Right Head Lamp
G201	Main	Above Driver Seat/Leg Room

b. CONNECTOR IDENTIFICATION SYMBOL & PIN NUMBER POSITION



c. POSITION OF CONNECTORS AND GROUNDS

EBCM



OVPR



DIAGNOSIS CONNECTOR



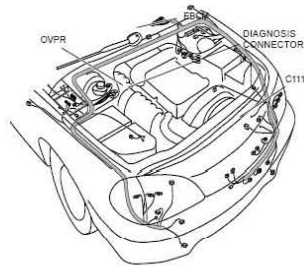
KICK DOWN SW



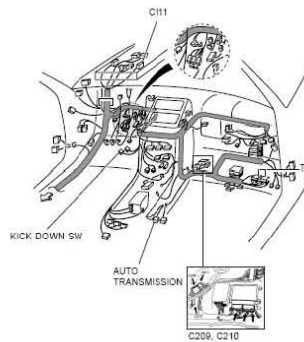
TCM



• WITH ENGINE ROOM

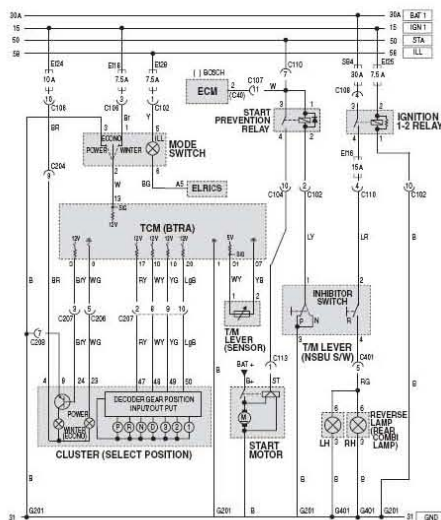


• WITH MAIN : FRONT



7. TCM (BTRA 4 SPEED)

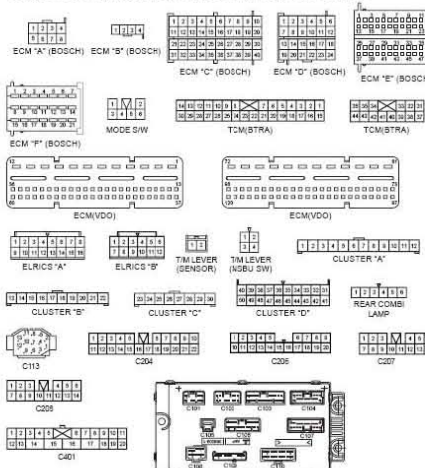
1) MODE SWITCH, SELECT POSITION, REVERSE LAMP, TM LEVER



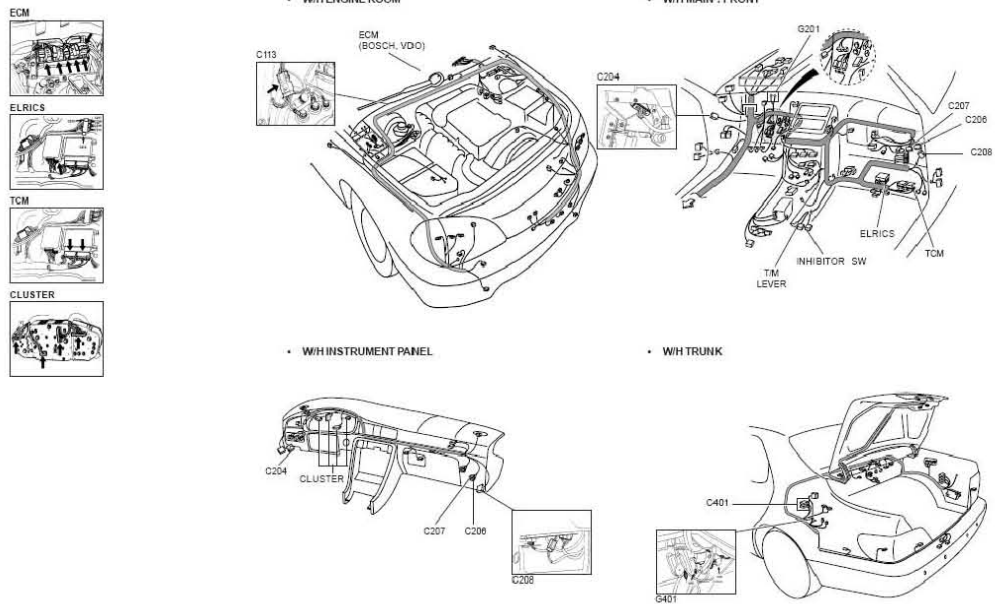
a. CONNECTOR INFORMATION

CONNECTOR NUMBER	WIRING HARNESS	GROUND POSITION
G201	Main	Above Driver Seat Leg Room
G401	Trunk	Left Side Panel of Trunk

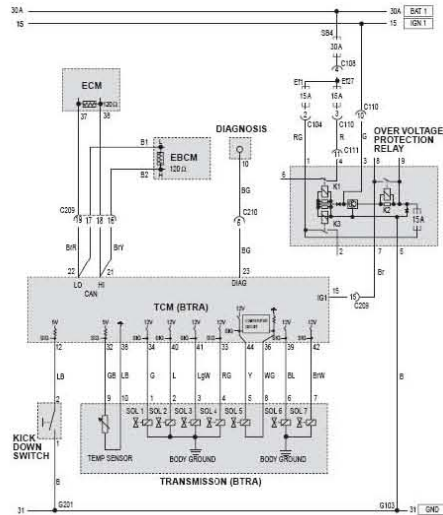
b. CONNECTOR IDENTIFICATION SYMBOL & PIN NUMBER POSITION



c. POSITION OF CONNECTORS AND GROUNDS



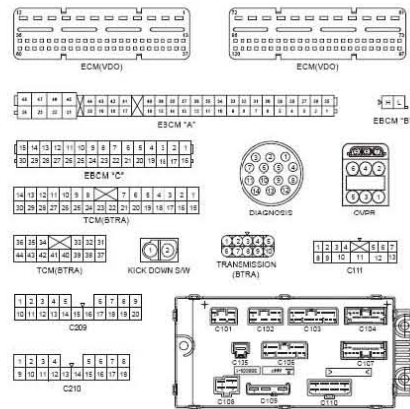
2) SOLENOIDS, TEMP SENSOR, KICK-DOWN SWITCH, DIAGNOSIS



a. CONNECTOR INFORMATION

CONNECTOR NUMBER	WIRING HARNESS	GROUND POSITION
G103	Engine Room	Behind Right Head Lamp
G201	Main	Above Driver Seat Leg Room

b. CONNECTOR IDENTIFICATION SYMBOL & PIN NUMBER POSITION



c. POSITION OF CONNECTORS AND GROUNDS

EBCM



OVPR



DIAGNOSIS CONNECTOR



KICK DOWN SW



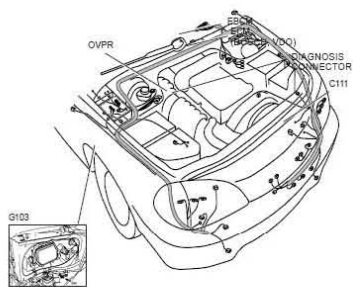
TCM



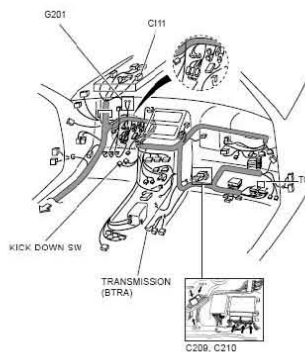
ECM



• WH ENGINE ROOM

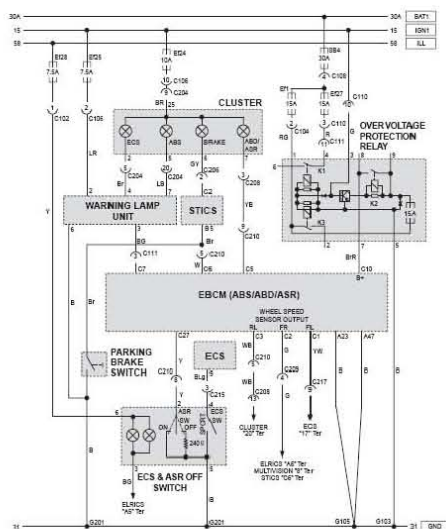


• WH MAIN : FRONT



8. ABS/ABD/ASR

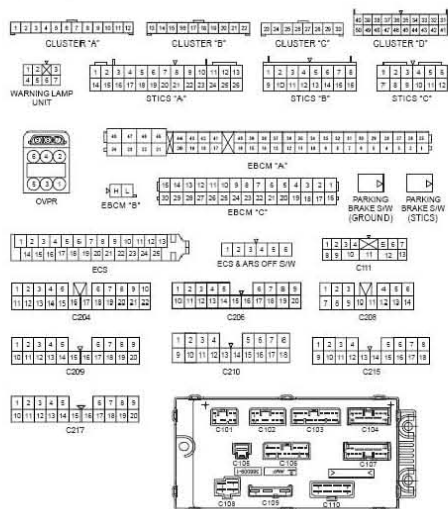
1) WARNING LAMP, ASR OFF SWITCH, INDICATOR



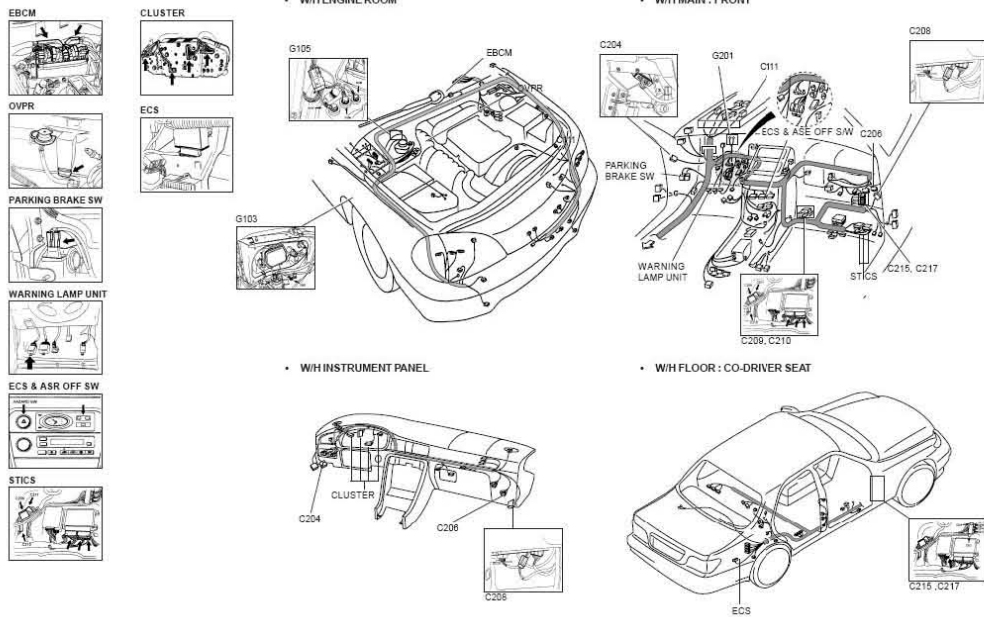
a. CONNECTOR INFORMATION

CONNECTOR NUMBER	WIRING HARNESS	GROUND POSITION
G103	Engine Room	Behind Right Head Lamp
G105	Engine Room	Front ECM Engine Room
G201	Main	Below Driver Seat Leg Room

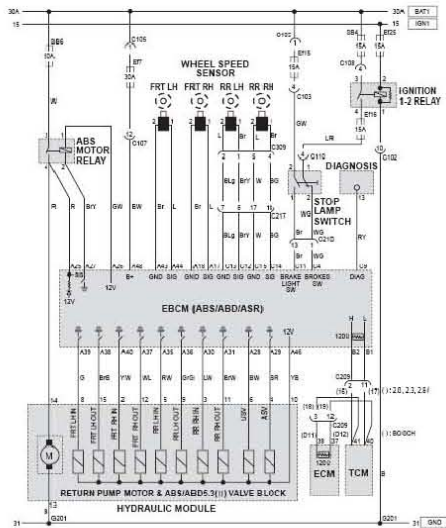
b. CONNECTOR IDENTIFICATION SYMBOL & PIN NUMBER POSITION



c. POSITION OF CONNECTORS AND GROUNDS



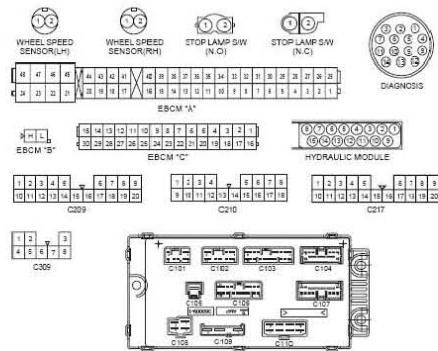
2) WHEEL SPEED SENSOR, HYDRAULIC MODULATOR, STOP SWITCH, MOTOR RELAY



a. CONNECTOR INFORMATION

CONNECTOR NUMBER	WIRING HARNESS	GROUND POSITION
G201	Main	Above Driver Seat Leg Room

b. CONNECTOR IDENTIFICATION SYMBOL & PIN NUMBER POSITION



c. POSITION OF CONNECTORS AND GROUNDS

EBCM



WHEEL SPEED SENSOR (RH)



DIAGNOSIS CONNECTOR



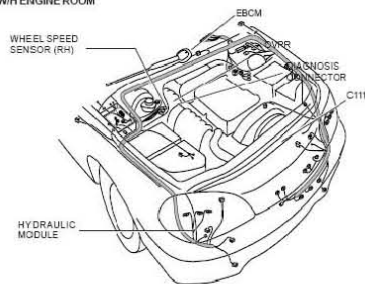
WHEEL SPEED SENSOR (LH)



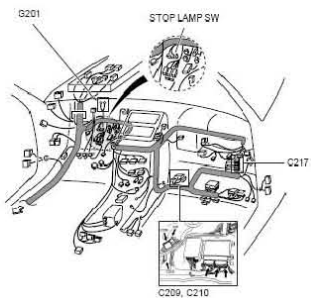
HYDRAULIC MODULE



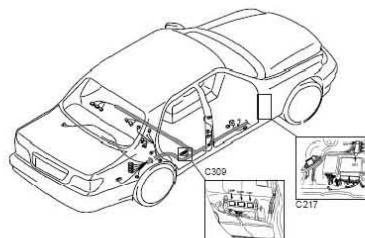
• W/ENGINE ROOM



• W/MAIN : FRONT

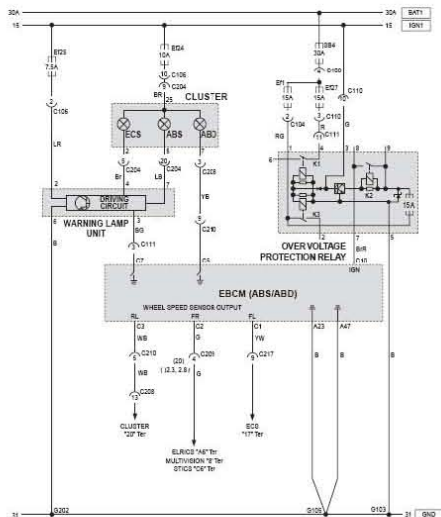


• W/FLOOR : CO-DRIVER SEAT



9. ABS/ABD

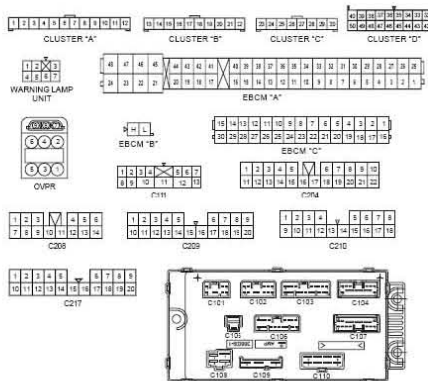
1) WARNING LAMP, INDICATOR



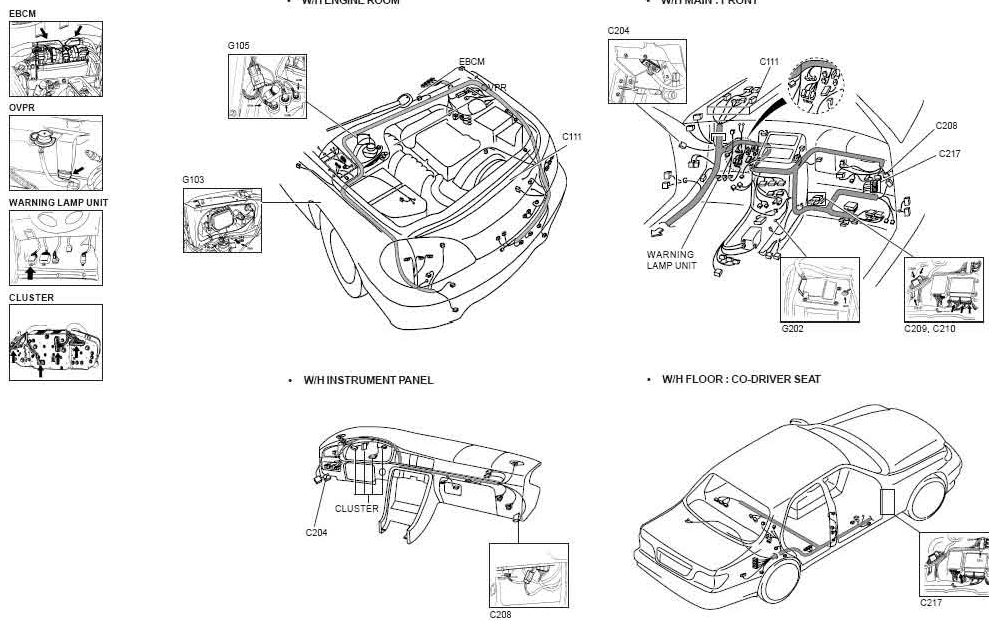
a. CONNECTOR INFORMATION

CONNECTOR NUMBER	WIRING HARNESS	GROUND POSITION
G103	Engine Room	Behind Right Head Lamp
G105	Engine Room	Front ECM Engine Room
G202	Main	Below Center Console Box

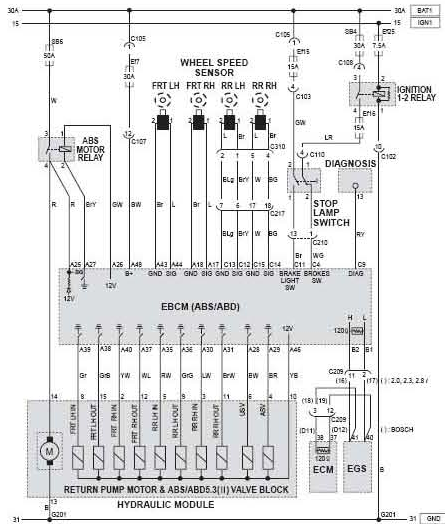
b. CONNECTOR IDENTIFICATION SYMBOL & PIN NUMBER POSITION



c. POSITION OF CONNECTORS AND GROUNDS



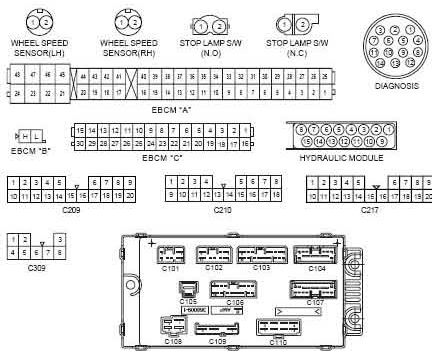
2) WHEEL SPEED SENSOR, HYDRAULIC MODULATOR, STOP SWITCH, MOTOR RELAY, DIAGNOSIS



a. CONNECTOR INFORMATION

CONNECTOR NUMBER	WIRING HARNESS	GROUND POSITION
G201	Main	Above Driver Seat Leg Room

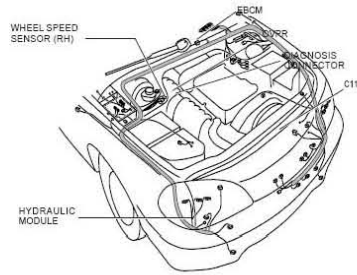
b. CONNECTOR IDENTIFICATION SYMBOL & PIN NUMBER POSITION



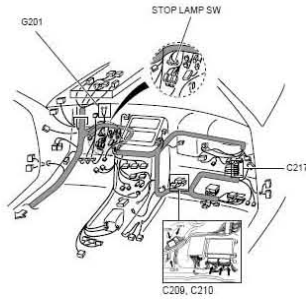
c. POSITION OF CONNECTORS AND GROUNDS



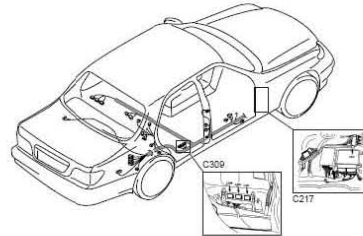
WH ENGINE ROOM



WH MAIN : FRONT

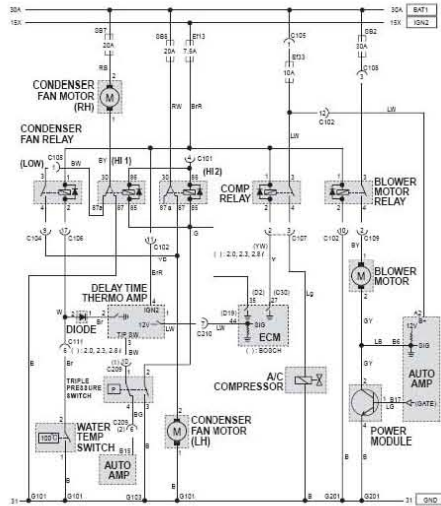


WH FLOOR : CO-DRIVER SEAT



11. FATC (FULL AUTOMATIC TEMPERATURE CONTROL)

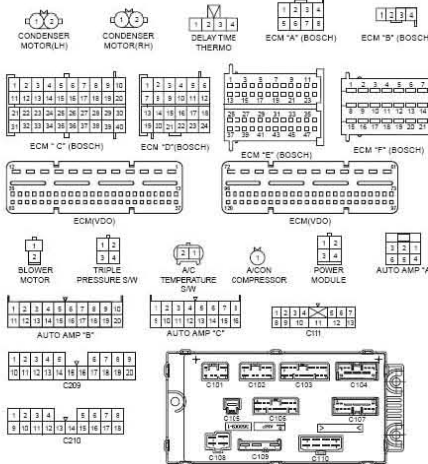
1) CONDENSER FAN MOTOR, A/C COMPRESSOR, BLOWER MOTOR, TRIPLE PRESSURE SWITCH, A/C TEMPERATURE SWITCH



a. CONNECTOR INFORMATION

CONNECTOR NUMBER	WIRING HARNESS	GROUND POSITION
G101	Engine Room	Behind Left Head Lamp
G103	Engine Room	Behind Right Head Lamp
G201	Main	Above Driver Seat Leg Room

b. CONNECTOR IDENTIFICATION SYMBOL & PIN NUMBER POSITION



c. POSITION OF CONNECTORS AND GROUNDS

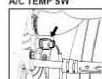
ECM



TRIPLE PRESSURE SW



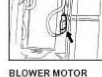
A/C TEMP SW



AUTO AMP



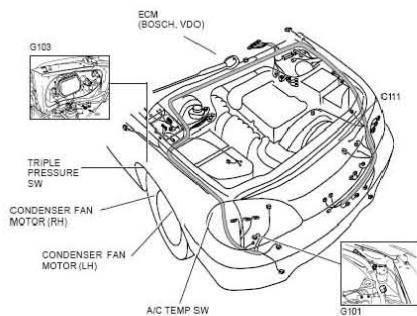
DELAY TIME THERMO



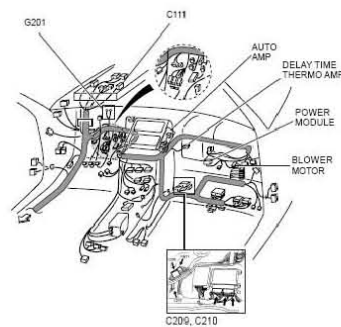
BLOWER MOTOR



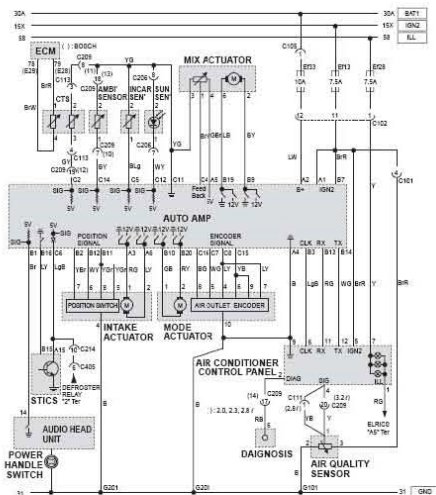
• WITH ENGINE ROOM



• WITH MAIN : FRONT



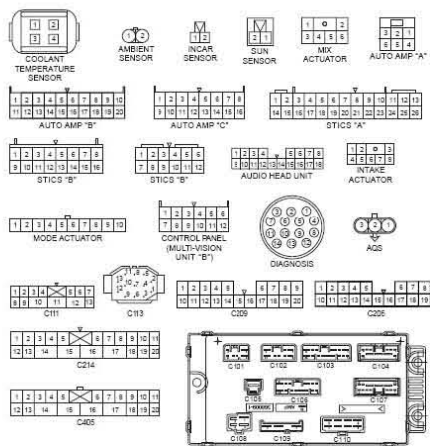
2) SENSOR (CTS, AMBI, INCAR, SUN), ACTUATOR (MIX, INTAKE, MODE), A/C CONTROL PANEL



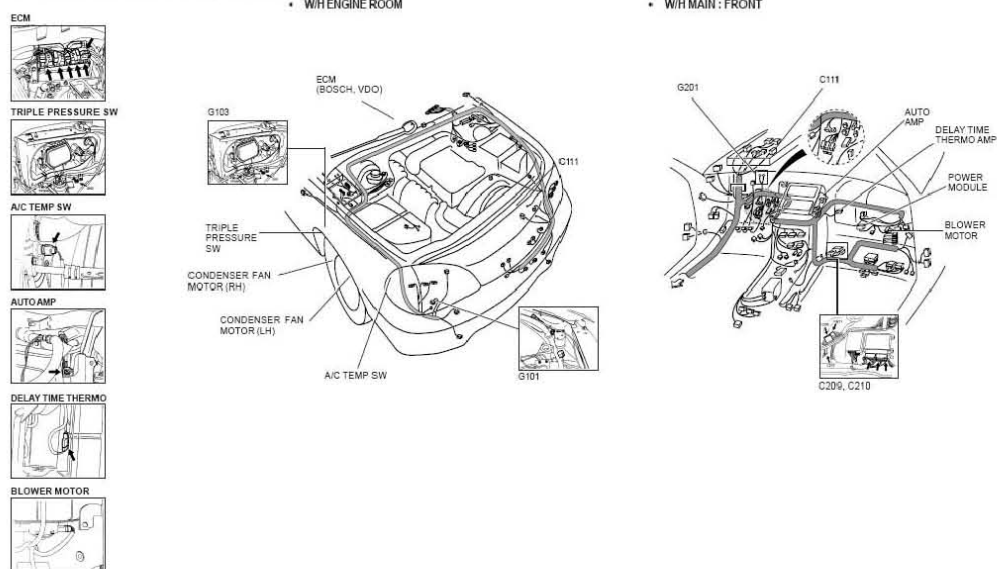
a. CONNECTOR INFORMATION

CONNECTOR NUMBER	WIRING HARNESS	GROUND POSITION
G101	Engine Room	Behind Left Head Lamp
G201	Main	Above Driver Seat Leg Room

b. CONNECTOR IDENTIFICATION SYMBOL & PIN NUMBER POSITION

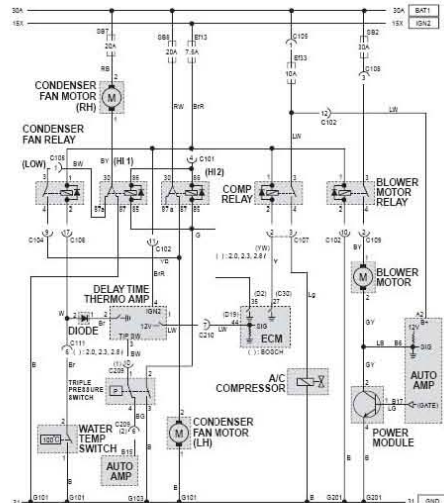


c. POSITION OF CONNECTORS AND GROUNDS



11. FATC (FULL AUTOMATIC TEMPERATURE CONTROL)

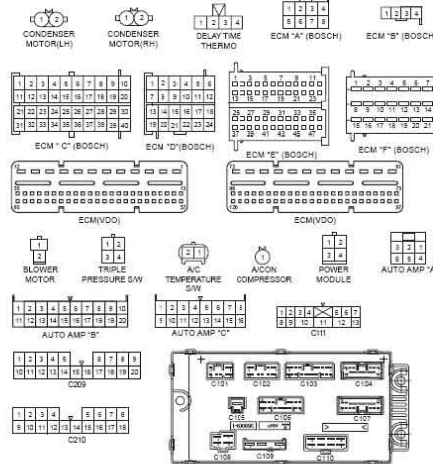
1) CONDENSER FAN MOTOR, A/C COMPRESSOR, BLOWER MOTOR, TRIPLE PRESSURE SWITCH, A/C TEMPERATURE SWITCH



a. CONNECTOR INFORMATION

CONNECTOR NUMBER	WIRING HARNESS	GROUND POSITION
G101	Engine Room	Behind Left Head Lamp
G103	Engine Room	Behind Right Head Lamp
G201	Main	Above Driver Seat Leg Room

b. CONNECTOR IDENTIFICATION SYMBOL & PIN NUMBER POSITION

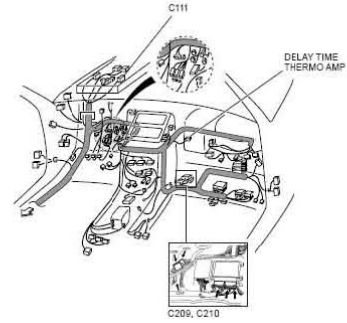
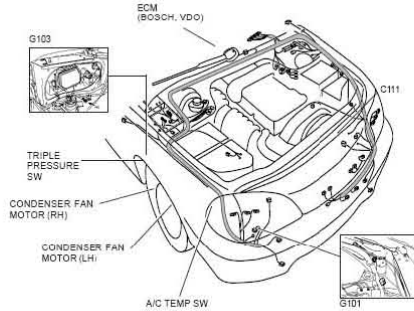
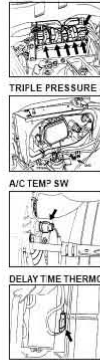


c. POSITION OF CONNECTORS AND GROUNDS

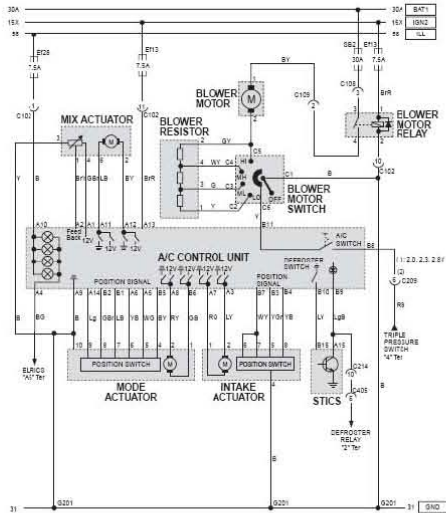
• WITH ENGINE ROOM

• WITH MAIN : FRONT

ECM



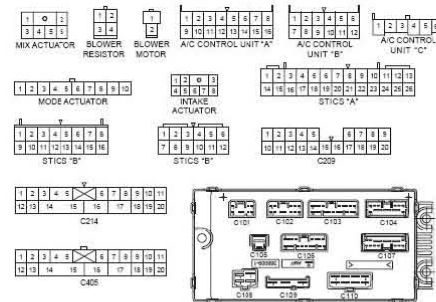
2) ACTUATOR (MIX, MODE, INTAKE), BLOWER (MOTOR, RESISTOR, SWITCH)



a. CONNECTOR INFORMATION

CONNECTOR NUMBER	WIRING HARNESS	GROUND POSITION
G201	Main	Above Driver Seat Leg Room

b. CONNECTOR IDENTIFICATION SYMBOL & PIN NUMBER POSITION



c. POSITION OF CONNECTORS AND GROUNDS

MODEACTUATOR



MIX ACTUATOR



INTAKE ACTUATOR



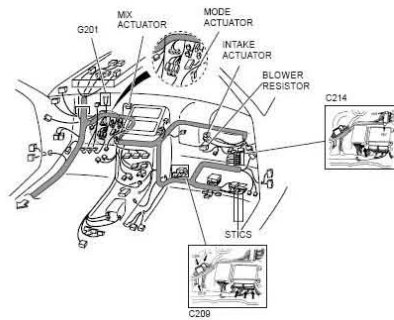
BLOWER MOTOR



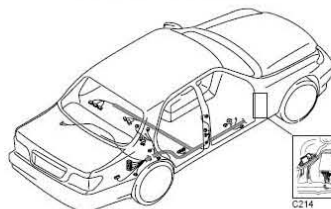
STICS



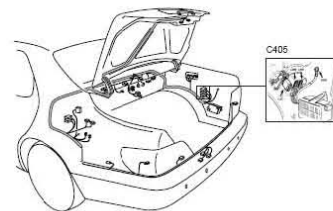
• WIH MAIN : FRONT



• WIH FLOOR : CO-DRIVER SEAT

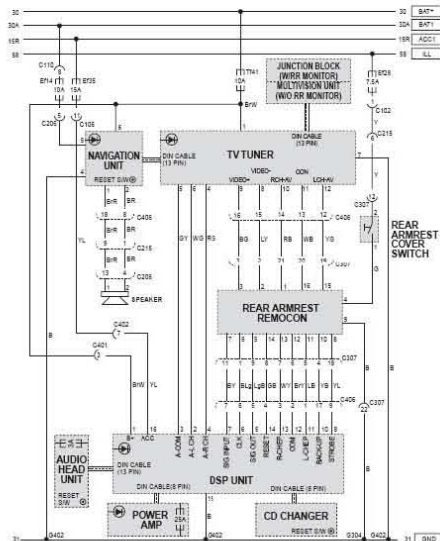


• WIH FLOOR : TRUNK



13. AV (AUDIO/VIDEO 600L)

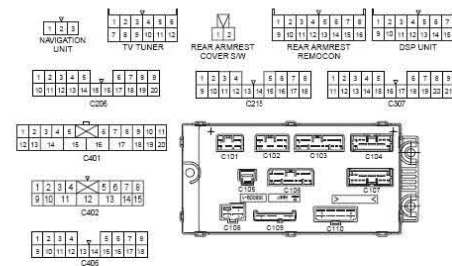
1) NAVIGATION, TV TUNER, REAR ARMREST REMOTE CONTROL, DSP UNIT



a. CONNECTOR INFORMATION

CONNECTOR NUMBER	CONNECTING WIRING HARNESS	CONNECTOR POSITION
G304	Floor	Above Co-Driver Seat 'C' Pillar
G402	Trunk	Right Side Panel of Trunk

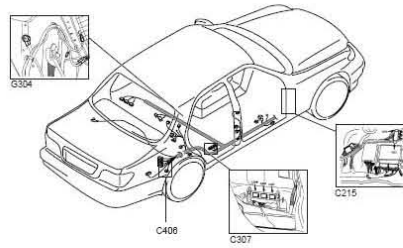
b. CONNECTOR IDENTIFICATION SYMBOL & PIN NUMBER POSITION



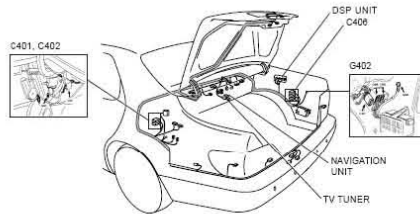
c. POSITION OF CONNECTORS AND GROUNDS



• W/H FLOOR : CO-DRIVER SEAT



• W/H FLOOR : TRUNK



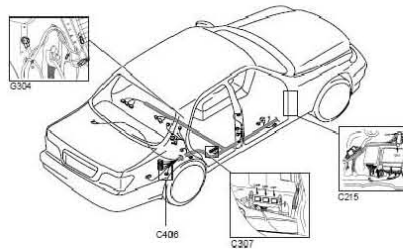
• W/H RR SEAT



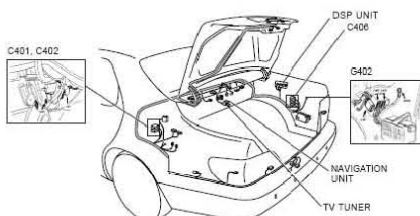
c. POSITION OF CONNECTORS AND GROUNDS



• W/H FLOOR : CO-DRIVER SEAT



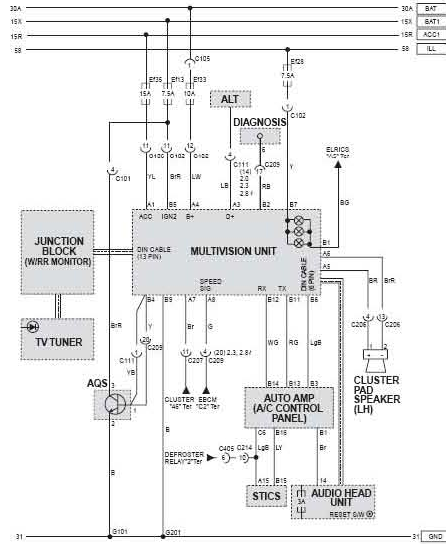
• W/H FLOOR : TRUNK



• W/H RR SEAT



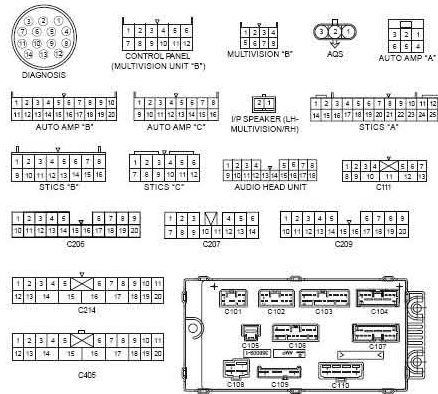
2) MULTIVISION DISPLAY UNIT, AUTO AMP, AQS



a. CONNECTOR INFORMATION

CONNECTOR NUMBER	CONNECTING WIRING HARNESS	CONNECTOR POSITION
G101	Engine Room	Behind Left Head Lamp
G201	Main	Above Driver Seat Leg Room

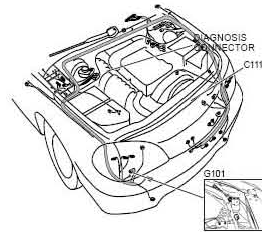
b. CONNECTOR IDENTIFICATION SYMBOL & PIN NUMBER POSITION



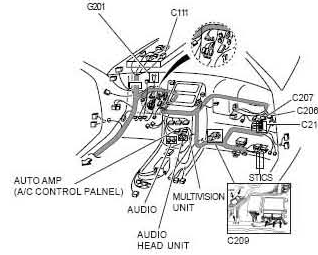
c. POSITION OF CONNECTORS AND GROUNDS

• W/ ENGINE ROOM

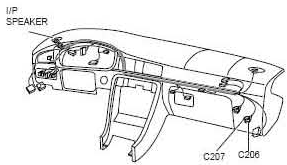
DIAGNOSIS CONNECTOR



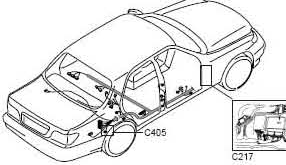
• W/ MAIN : FRONT



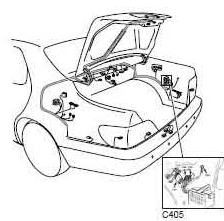
• W/ INSTRUMENT PANEL



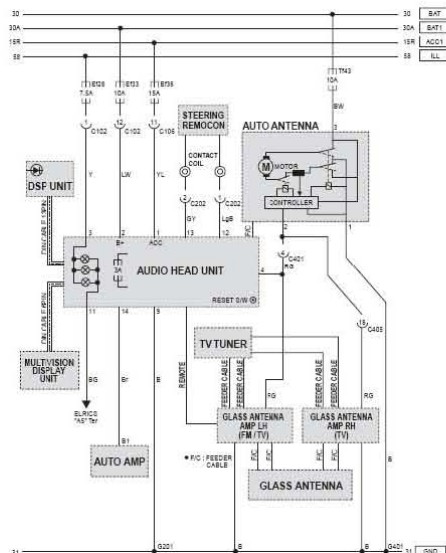
• W/ FLOOR : CO-DRIVER SEAT



• W/ TRUNK



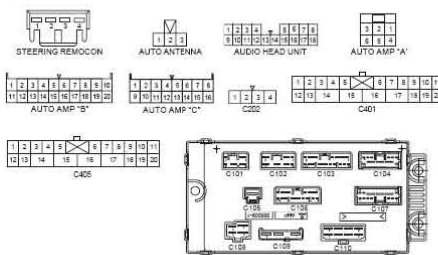
3) AUDIO HEAD UNIT, AUTO ANTENNA, GLASS ANTENNA AMP.



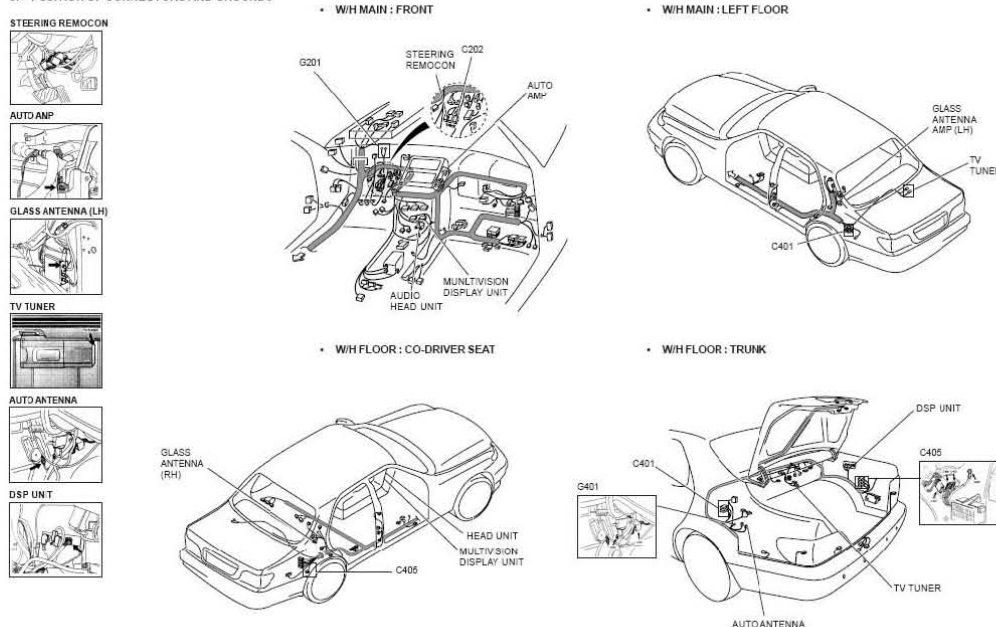
a. CONNECTOR INFORMATION

CONNECTOR NUMBER	CONNECTING WIRING HARNESS	CONNECTOR POSITION
G201	Main	Above Driver Seat Leg Room
G401	Trunk	Left Side Panel of Trunk

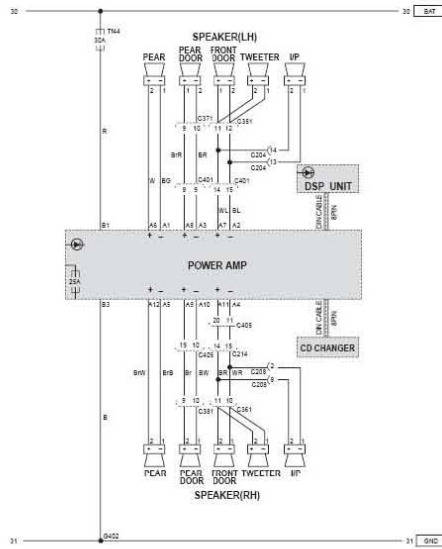
b. CONNECTOR IDENTIFICATION SYMBOL & PIN NUMBER POSITION



c. POSITION OF CONNECTORS AND GROUNDS



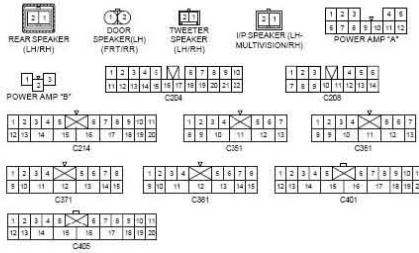
4) POWER AMP, SPEAKER



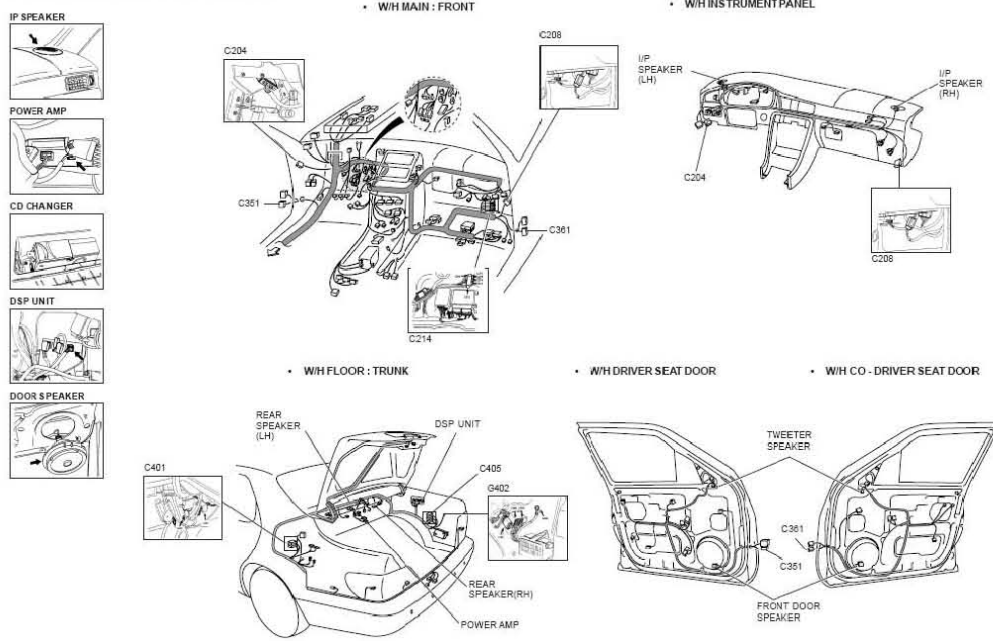
a. CONNECTOR INFORMATION

CONNECTOR NUMBER	CONNECTING WIRING HARNESS	CONNECTOR POSITION
G402	Trunk	Right Side Panel of Trunk

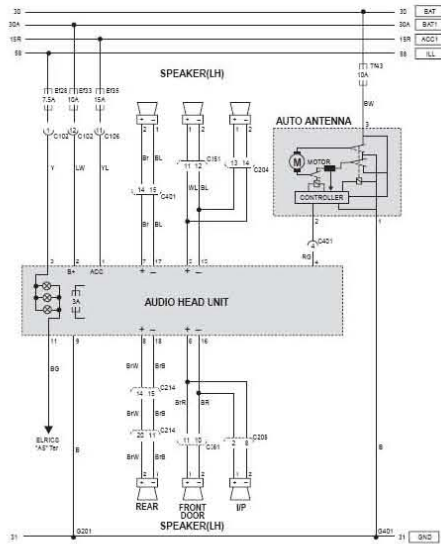
b. CONNECTOR IDENTIFICATION SYMBOL & PIN NUMBER POSITION



c. POSITION OF CONNECTORS AND GROUNDS



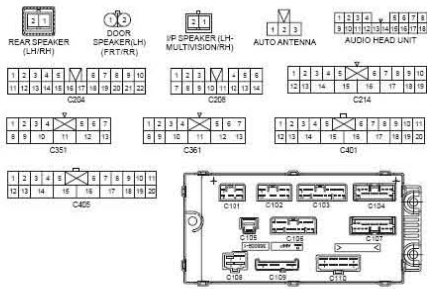
14. AUDIO (300,400X,400,500X)



a. CONNECTOR INFORMATION

CONNECTOR NUMBER	CONNECTING WIRING HARNESS	CONNECTOR POSITION
G201	Main	Above Driver Seat Leg Room
G401	Trunk	Left Side Panel of Trunk

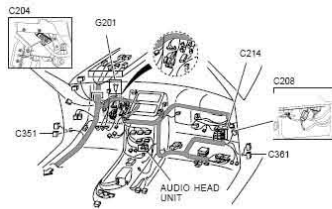
b. CONNECTOR IDENTIFICATION SYMBOL & PIN NUMBER POSITION



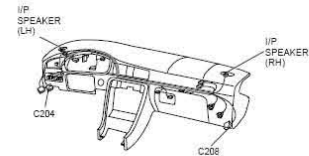
c. POSITION OF CONNECTORS AND GROUNDS



• WITH MAIN : FRONT



• WITH INSTRUMENT PANEL

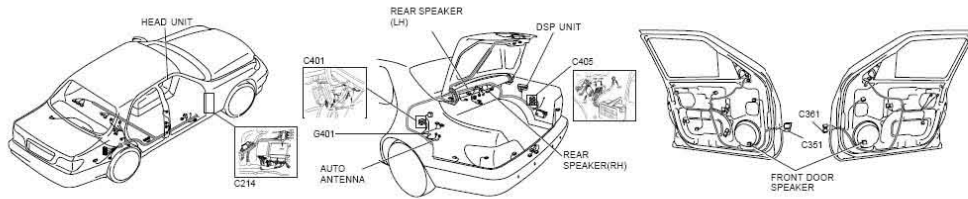


• WITH FLOOR : CO-DRIVER SEAT

• WITH FLOOR : TRUNK

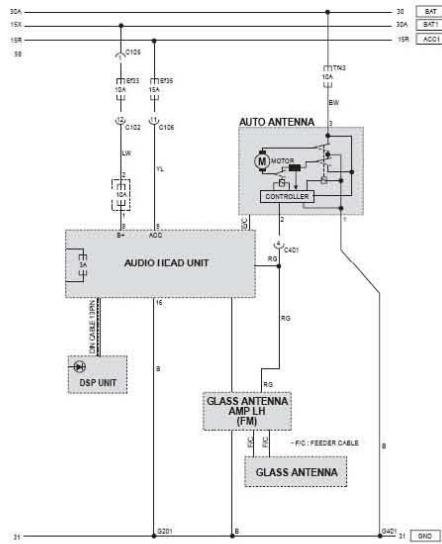
• WITH DRIVER SEAT DOOR

• WITH CO - DRIVER SEAT DOOR



15. AV (500L,500 ALPINE)

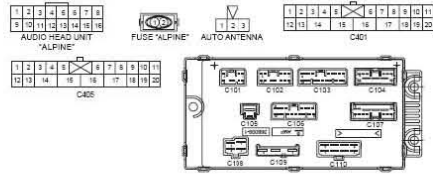
1) AUDIO HEAD UNIT, AUTO ANTENNA, GLASS ANTENNA



a. CONNECTOR INFORMATION

CONNECTOR NUMBER	CONNECTING WIRING HARNESS	CONNECTOR POSITION
G201	Main	Above Driver Seat Leg Room
G401	Trunk	Left Side Panel of Trunk

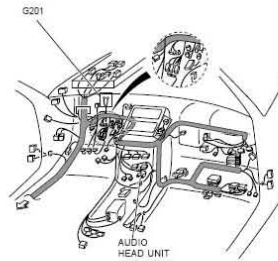
b. CONNECTOR IDENTIFICATION SYMBOL & PIN NUMBER POSITION



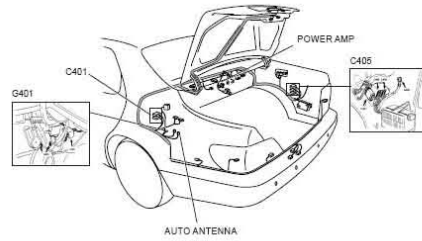
c. POSITION OF CONNECTORS AND GROUNDS



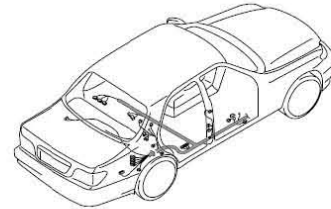
• WITH MAIN : FRONT



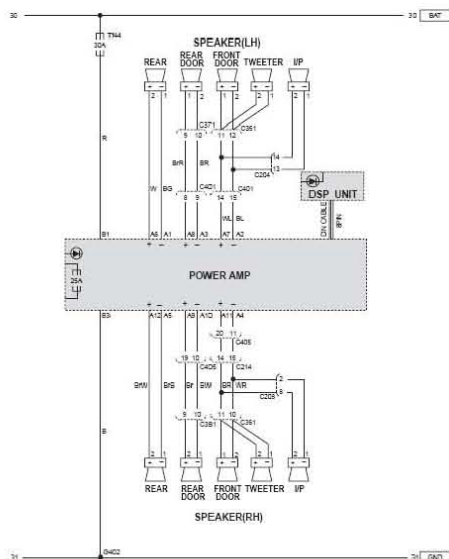
• WITH FLOOR : TRUNK



• WITH FLOOR : CO-DRIVER SEAT



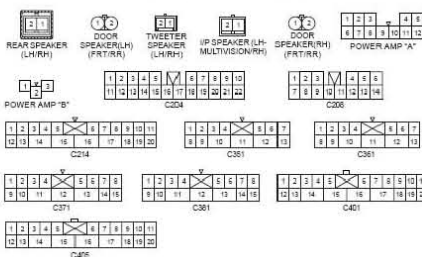
2) POWER AMP, SPEAKER



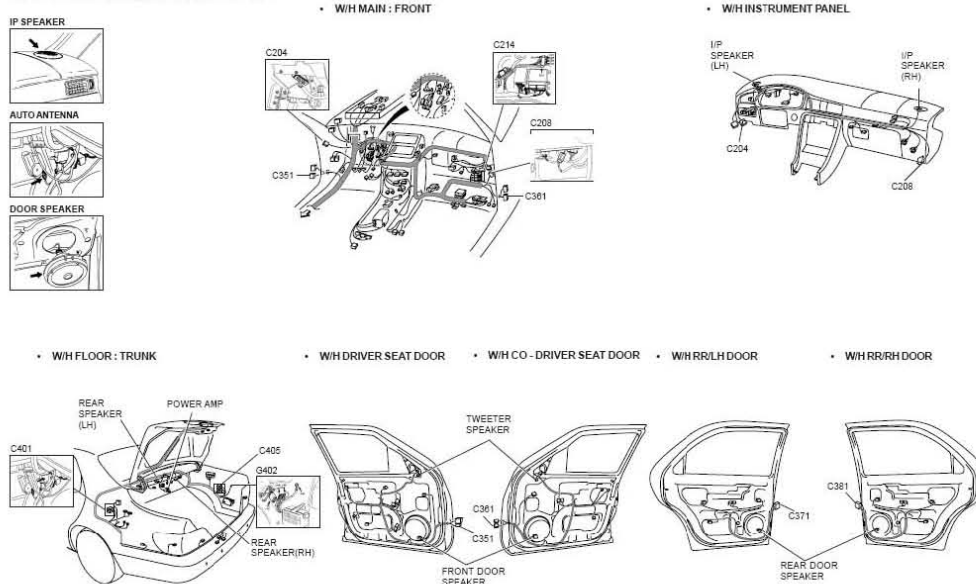
a. CONNECTOR INFORMATION

CONNECTOR NUMBER	CONNECTING WIRING HARNESS	CONNECTOR POSITION
G402	Trunk	Right Side Panel of Trunk

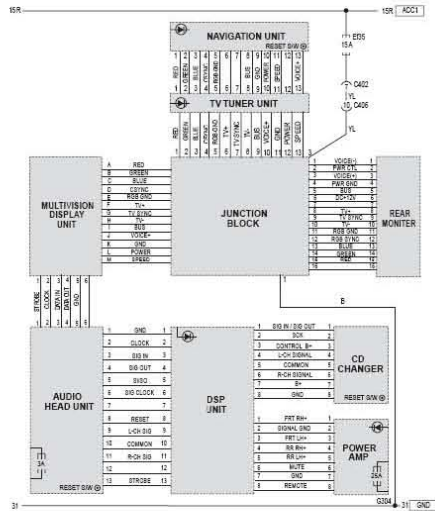
b. CONNECTOR IDENTIFICATION SYMBOL & PIN NUMBER POSITION



c. POSITION OF CONNECTORS AND GROUNDS



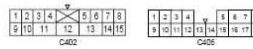
16. DIN CABLE CONNECTION (NAVIGATION UNIT, TV TUNER, MULTIVISION DISPLAY UNIT, JUNCTION BLOCK, AUDIO HEAD UNIT, REAR MONITOR, DSP UNIT, CD CHANGER, POWER AMP)



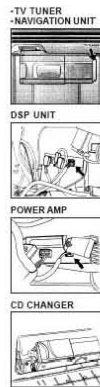
a. CONNECTOR INFORMATION

CONNECTOR NUMBER	CONNECTING WIRING HARNESS	CONNECTOR POSITION
G304	Floor	Above Co-Driver Seat 'C' Pillar

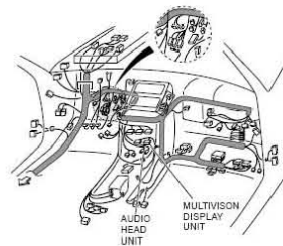
b. CONNECTOR IDENTIFICATION SYMBOL & PIN NUMBER POSITION



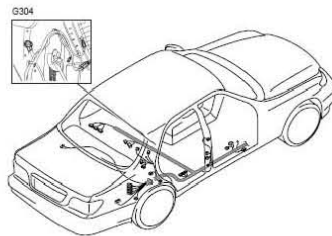
c. POSITION OF CONNECTORS AND GROUNDS



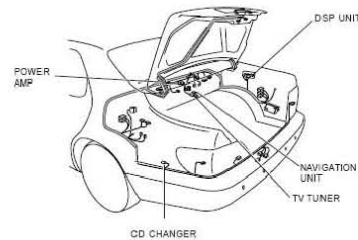
• W/H MAIN : FRONT



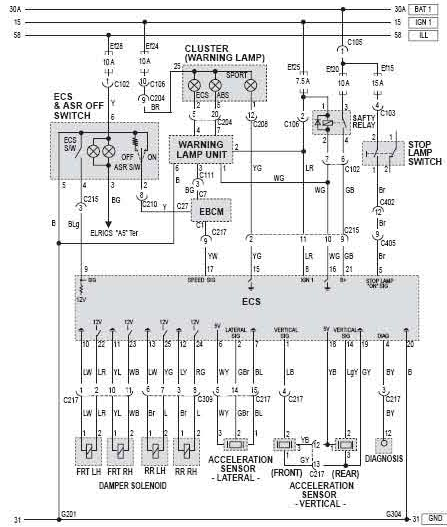
• W/H FLOOR : CO-DRIVER SEAT



• W/H FLOOR : TRUNK



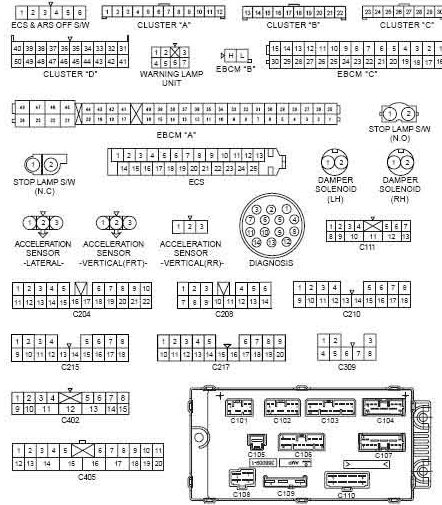
17. ECS



a. CONNECTOR INFORMATION

CONNECTOR NUMBER	CONNECTING WIRING HARNESS	CONNECTOR POSITION
G201	Main	Above Driver Seat/Leg Room
G304	Floor	Above Co-Driver Seat "C" Pillar

b. CONNECTOR IDENTIFICATION SYMBOL & PIN NUMBER POSITION



LAUNCH