

ws = white    sw = black    ro = red    br = brown    gn = green    bl = blue  
 gr = grey    li = purple    ge = yellow    or = orange    rs = pink

Climatronic control unit, continued coolant circulation relay, coolant circulation pump

J151 - Continued coolant circulation relay

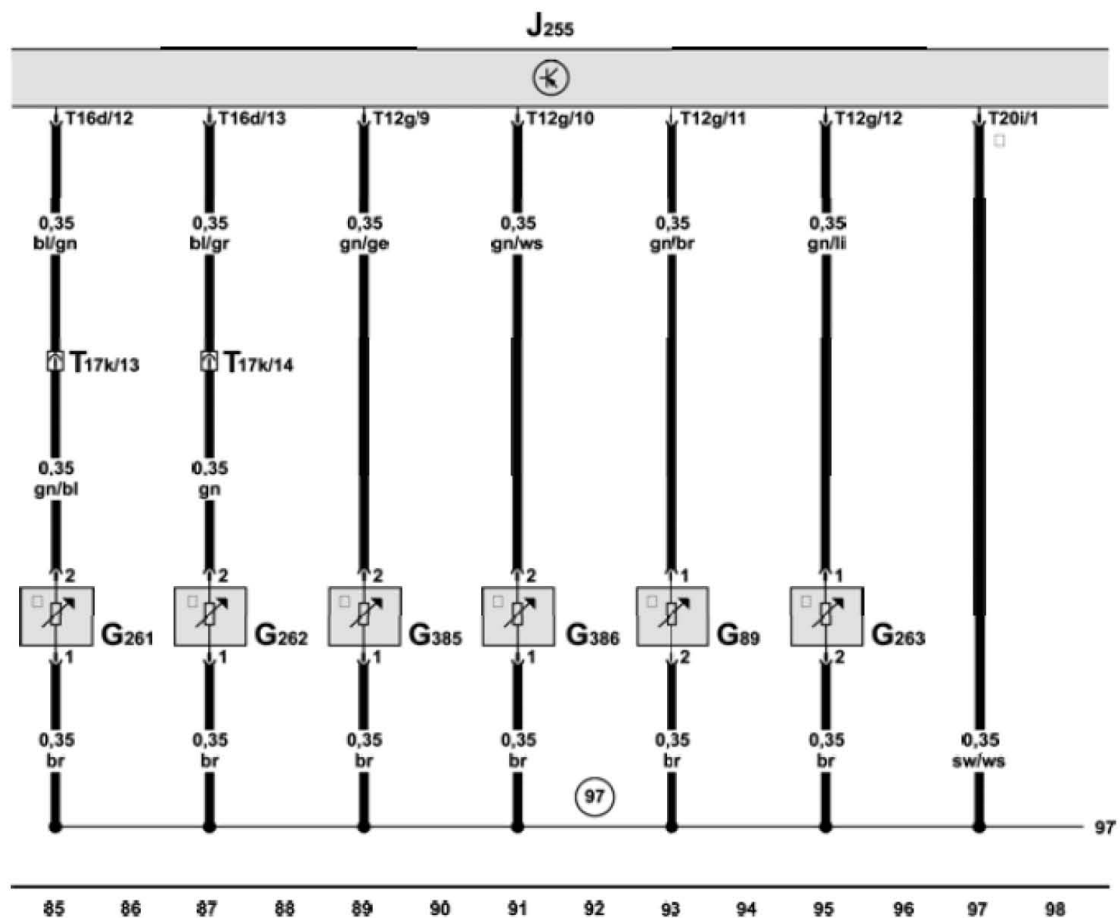
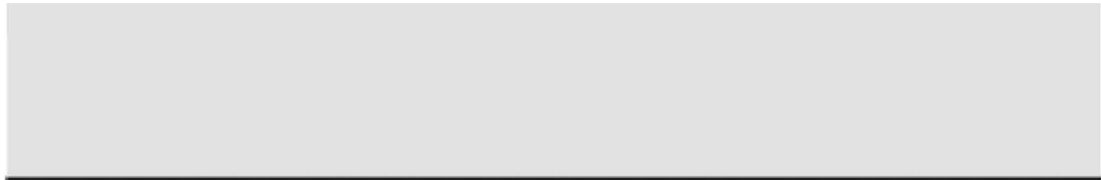
J255 - Climatronic control unit

J623 - Engine control unit

J749 - Fuel pump relay for auxiliary heater

T6k - 6-pin connector, brown, coupling station on electronics box, plenum chamber

- T10c - 10-pin connector, pink, coupling station on electronics box, plenum chamber
- T10d - 10-pin connector, blue, coupling station on electronics box, plenum chamber
- T16c - 16-pin connector, brown, connector C, on Climatronic control unit
- T16d - 16-pin connector, black, connector D, on Climatronic control unit
- T94 - 94-pin connector, black, on engine control unit
- V50 - Coolant circulation pump
- 368 - Earth connection 3, in main wiring harness
- 640 - Earth point, left in engine compartment
- B537 - Connection 28, in main wiring harness
  - 4.2 l engine, engine code BAR
  - 3,0 l Diesel engine, engine codes BUN, BUG
  - relay and fuse carrier centre dash panel
  - models with auxiliary heater
  - Relay and fuse carrier, electronics box plenum chamber



ws = white    sw = black    ro = red    br = brown    gn = green    bl = blue  
gr = grey    li = purple    ge = yellow    or = orange    rs = pink

Climatronic control unit, fresh air intake duct temperature sensor, footwell vent temperature sender, evaporator output temperature sender, front chest vent temperature sensor

G89 - Fresh air intake duct temperature sensor

G261 - Left footwell vent temperature sender

G262 - Right footwell vent temperature sender

G263 - Evaporator output temperature sender

G385 - Front left chest vent temperature sensor

G386 - Front right chest vent temperature sensor

J255 - Climatronic control unit

T12g - 12-pin connector, connector A, on Climatronic control unit

T16d - 16-pin connector, black, connector D, on Climatronic control unit

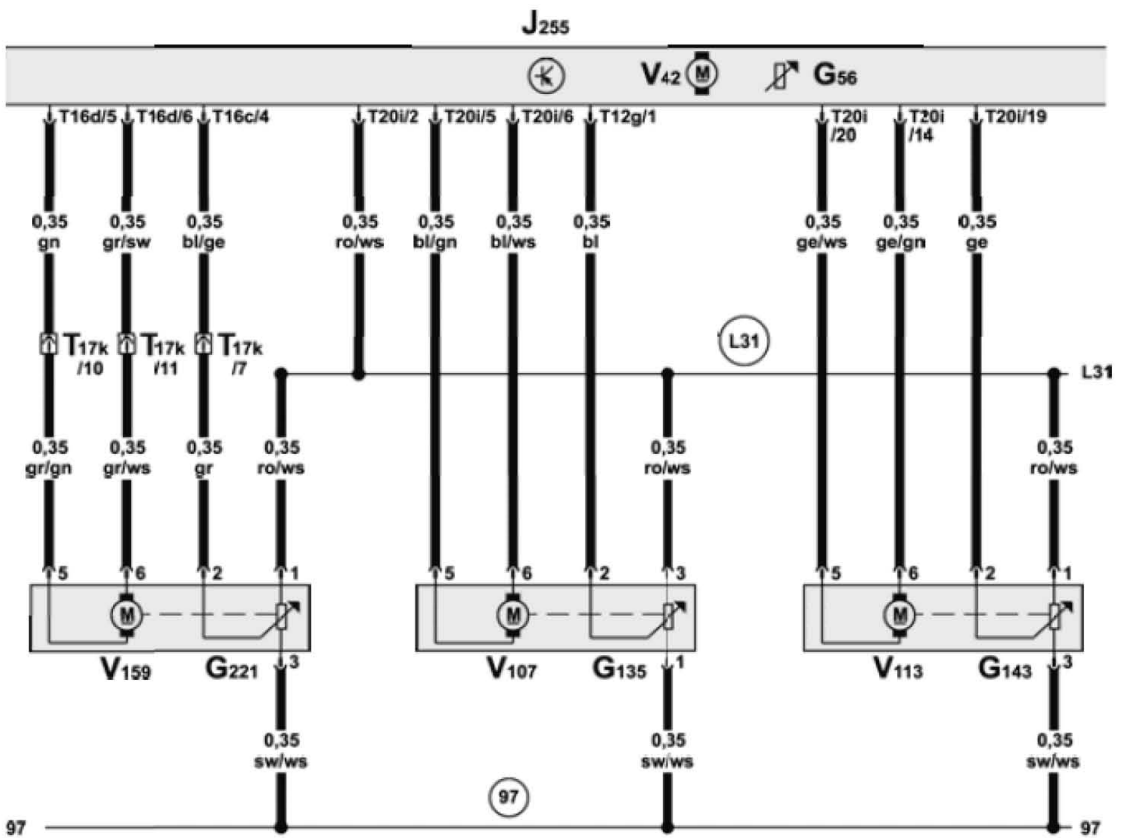
T17k - 17-pin connector, black, behind the dash panel, right, air conditioning system

T20i - 20-pin connector, red, connector B, on Climatronic control unit

97 - Earth connection 1, in air conditioning system wiring harness

- Output sender earth

LAUNCH



99    100    101    102    103    104    105    106    107    108    109    110    111    112  
 ws = white    sw = black    ro = red    br = brown    gn = green    bl = blue  
 gr = grey    li = purple    ge = yellow    or = orange    rs = pink

Climatronic control unit, defroster flap control motor potentiometer, air recirculation flap control motor potentiometer, potentiometer for right temperature flap control motor, dash panel temperature sensor

G56 - Dash panel temperature sensor

G135 - Defroster flap control motor potentiometer

G143 - Air recirculation flap control motor potentiometer

G221 - Potentiometer for right temperature flap control motor

J255 - Climatronic control unit

T12g - 12-pin connector, connector A, on Climatronic control unit

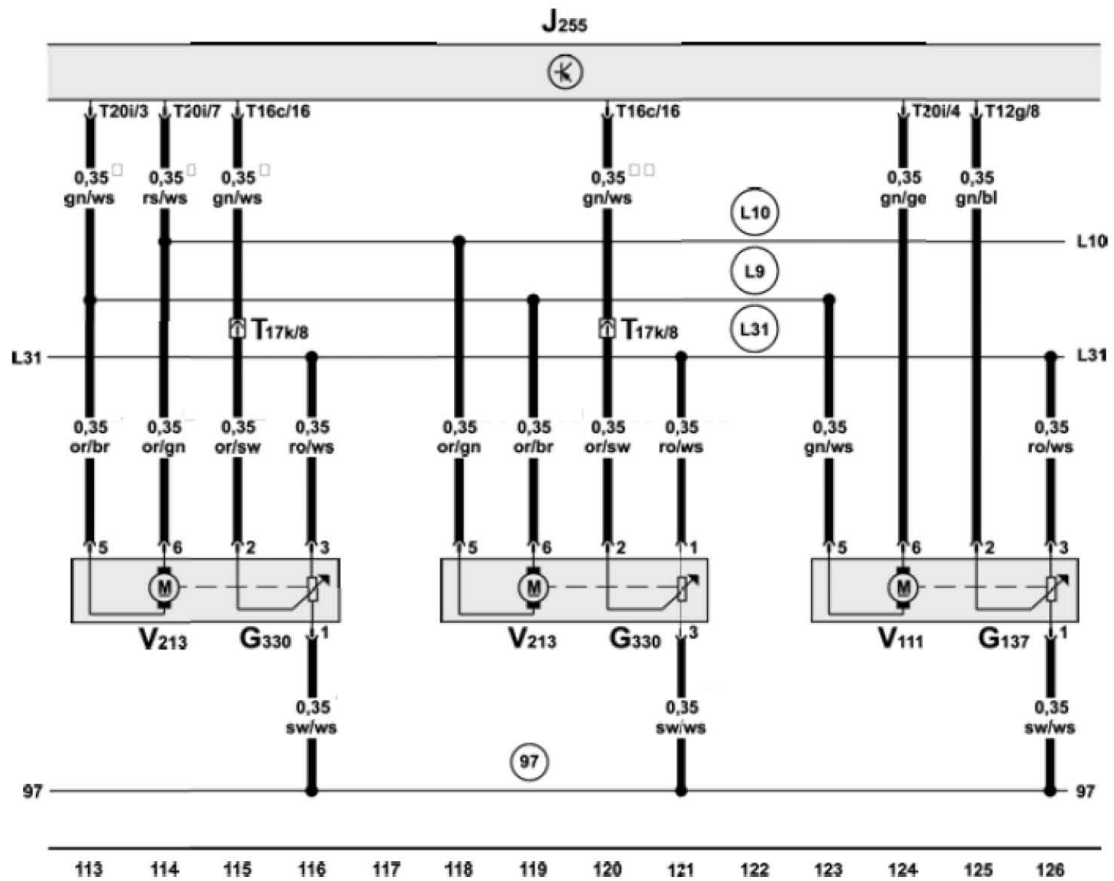
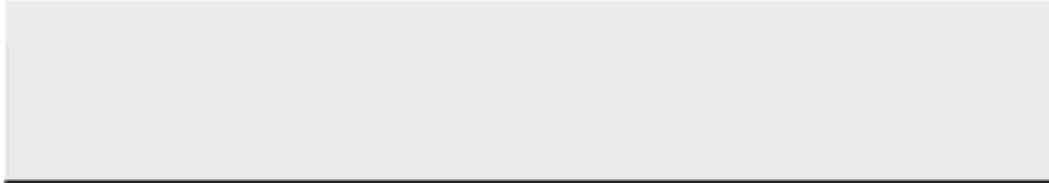
T16c - 16-pin connector, brown, connector C, on Climatronic control unit

T16d - 16-pin connector, black, connector D, on Climatronic control unit

T17k - 17-pin connector, black, behind the dash panel, right, air conditioning system

T20i - 20-pin connector, red, connector B, on Climatronic control unit

- V42 - Temperature sensor blower
- V107 - Defroster flap control motor
- V113 - Air recirculation flap control motor
- V159 - Right temperature flap control motor
- 97 - Earth connection 1, in air conditioning system wiring harness
- L31 - Connection (5V), in air conditioning system wiring harness



ws = white    sw = black    ro = red    br = brown    gn = green    bl = blue  
 gr = grey    li = purple    ge = yellow    or = orange    rs = pink

Climatronic control unit, potentiometer for right centre vent control motor, potentiometer for indirect ventilation flap control motor

G137 - Potentiometer for right centre vent control motor

G330 - Potentiometer for indirect ventilation flap control motor

J255 - Climatronic control unit

T12g - 12-pin connector, connector A, on Climatronic control unit

T16c - 16-pin connector, brown, connector C, on Climatronic control unit

T17k - 17-pin connector, black, behind the dash panel, right, air conditioning system

T20i - 20-pin connector, red, connector B, on Climatronic control unit

V111 - Right central vents control motor

V213 - Indirect ventilation flap control motor

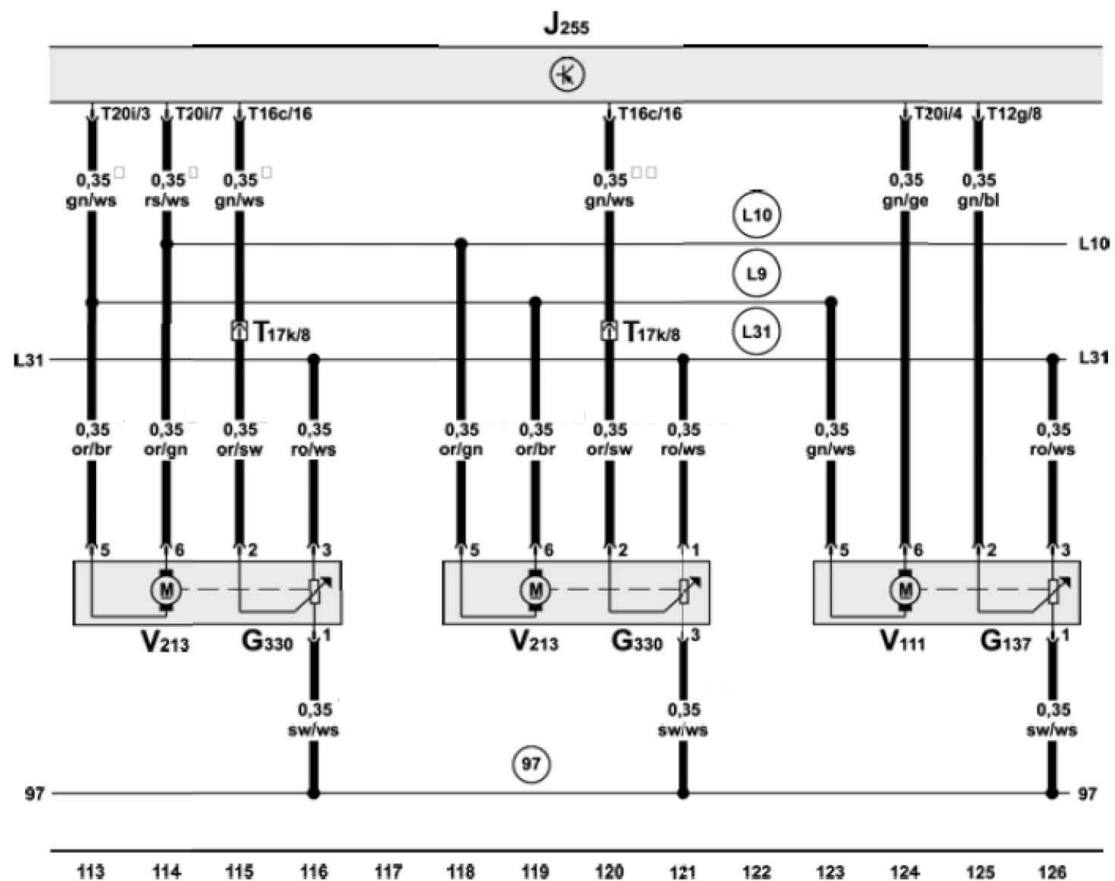
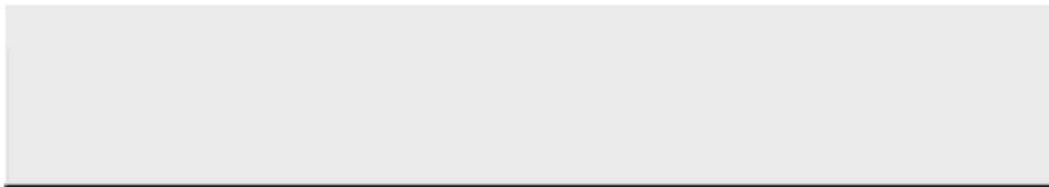
97 - Earth connection 1, in air conditioning system wiring harness

L9 - Connection 1, in air conditioning system wiring harness

L10 - Connection 2, in air conditioning system wiring harness

L31 - Connection (5V), in air conditioning system wiring harness

- left-hand drive
- Right-hand drive



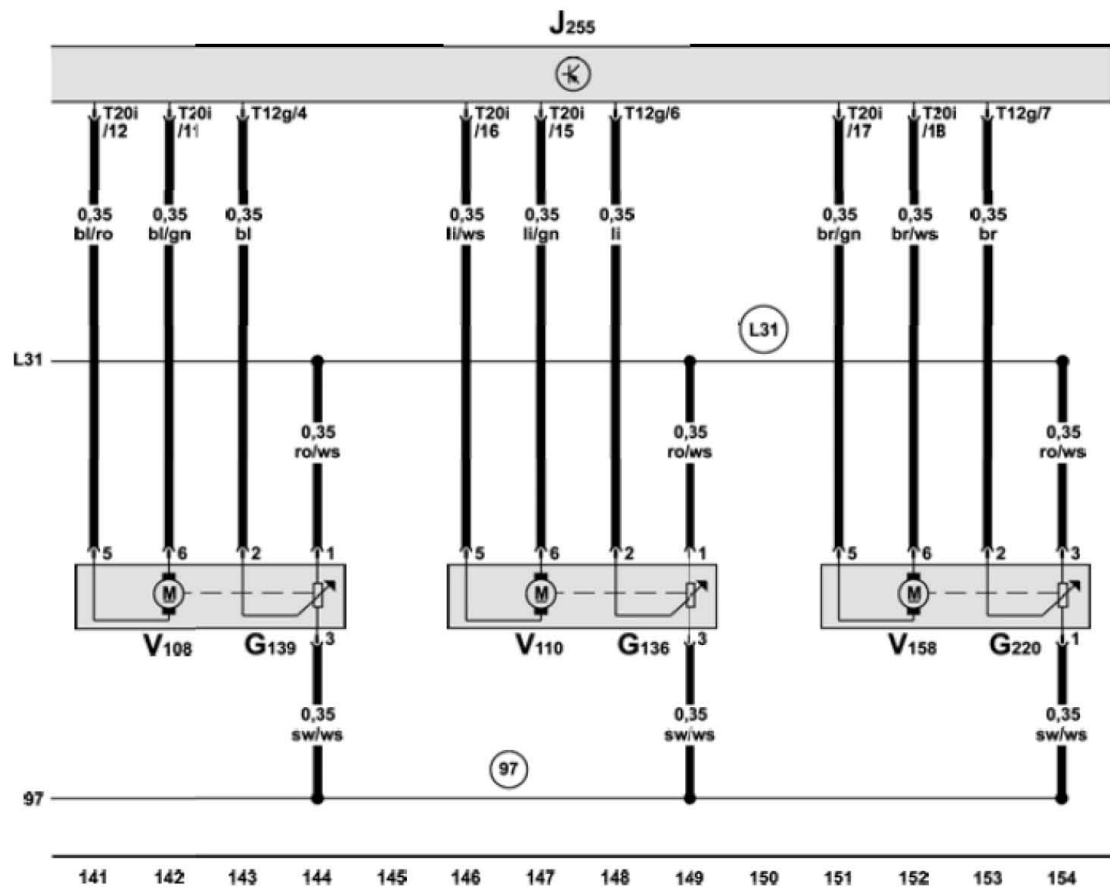
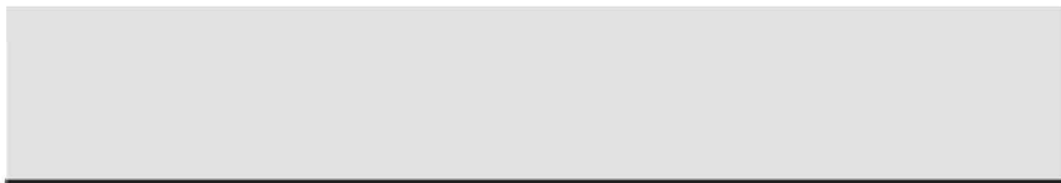
ws = white    sw = black    ro = red    br = brown    gn = green    bl = blue  
 gr = grey    li = purple    ge = yellow    or = orange    rs = pink

Climatronic control unit, potentiometer for right footwell flap control motor, potentiometer for left side

vent control motor, potentiometer for right side vent control motor

G140 - Potentiometer for right footwell flap control motor

- G164 - Potentiometer for left side vent control motor
- G523 - Potentiometer for right side vent control motor
- J255 - Climatronic control unit
- T12g - 12-pin connector, connector A, on Climatronic control unit
- T20i - 20-pin connector, red, connector B, on Climatronic control unit
- V109 - Right footwell flap control motor
- V299 - Left side vent control motor
- V300 - Right side vent control motor
- 97 - Earth connection 1, in air conditioning system wiring harness
- L10 - Connection 2, in air conditioning system wiring harness
- L11 - Connection 3, in air conditioning system wiring harness
- L31 - Connection (5V), in air conditioning system wiring harness



ws = white    sw = black    ro = red    br = brown    gn = green    bl = blue  
 gr = grey    li = purple    ge = yellow    or = orange    rs = pink

Climatronic control unit, potentiometer for left centre vent control motor, potentiometer for left footwell flap control motor, potentiometer for left temperature flap control motor

G136 - Potentiometer for left centre vent control motor

G139 - Potentiometer for left footwell flap control motor

G220 - Potentiometer for left temperature flap control motor

J255 - Climatronic control unit

T12g - 12-pin connector, connector A, on Climatronic control unit

T20i - 20-pin connector, red, connector B, on Climatronic control unit

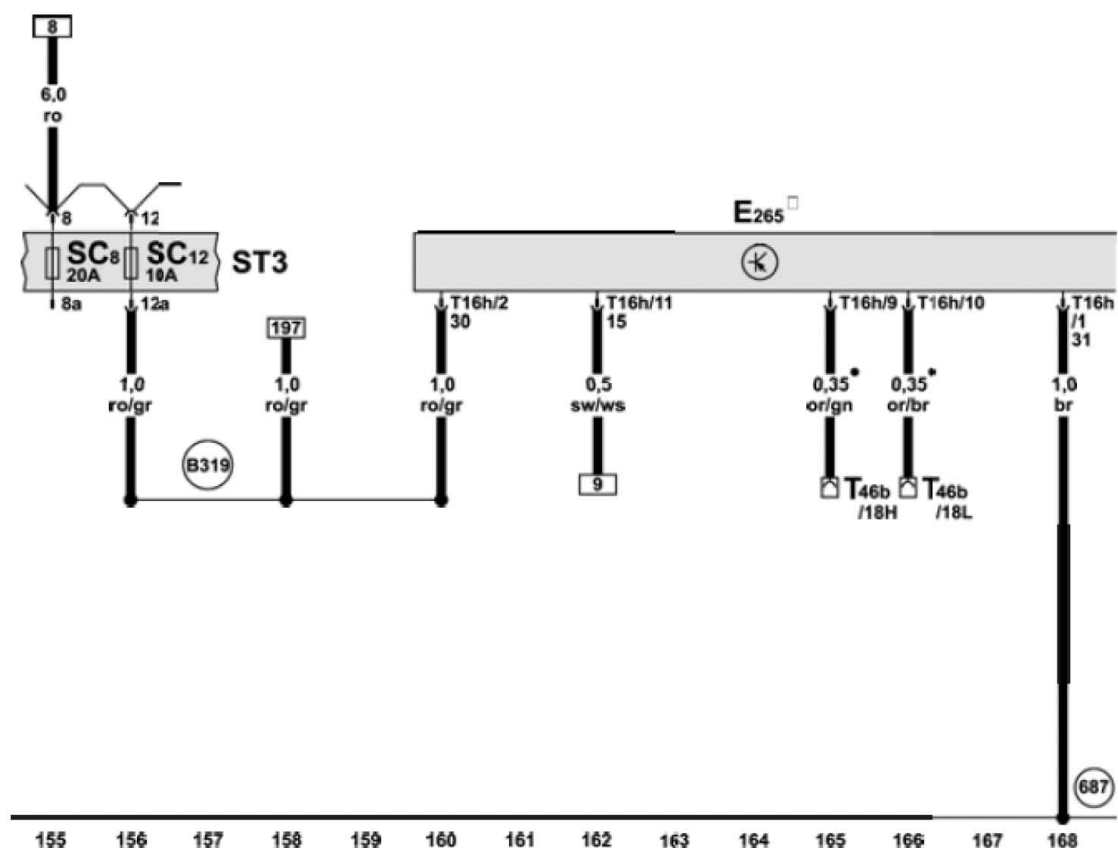
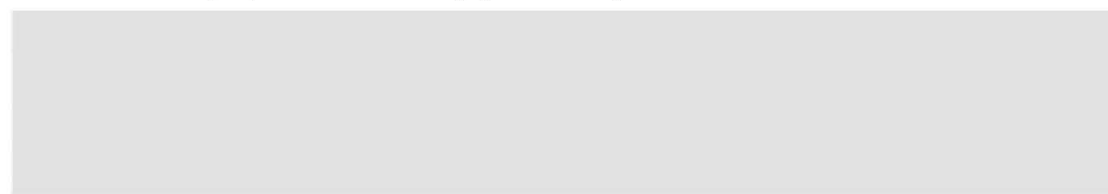
V108 - Left footwell flap control motor

V110 - Left centre vent control motor

V158 - Left temperature flap control motor

97 - Earth connection 1, in air conditioning system wiring harness

L31 - Connection (5V), in air conditioning system wiring harness



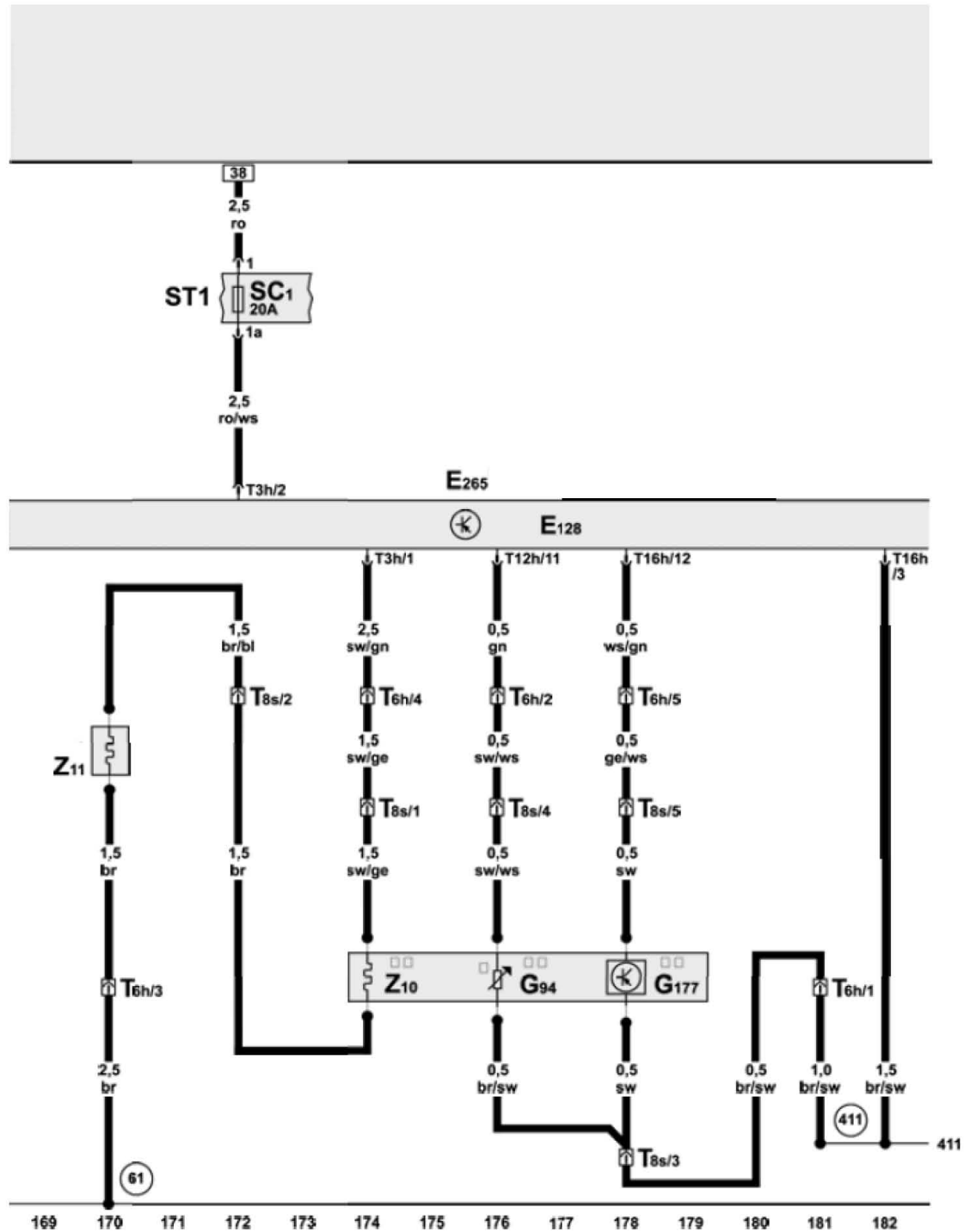
ws = white    sw = black    ro = red    br = brown    gn = green    bl = blue  
gr = grey    li = purple    ge = yellow    or = orange    rs = pink

Operating and display unit for rear Climatronic, fuses

E265 - Operating and display unit for rear Climatronic



- SC8 - Fuse 8 on fuse holder C
- SC12 - Fuse 12 on fuse holder C
- T16h - 16-pin connector, connector D, on rear Climatronic operating and display unit
- T46b - 46-pin connector, black, CAN separating connector right
- 687 - Earth point 1, on centre tunnel
- B319 - Positive connection 5 (30a), in main wiring harness
  - CAN bus (data wire)
  - optional equipment



ws = white    sw = black    ro = red    br = brown    gn = green    bl = blue

gr = grey    li = purple    ge = yellow    or = orange    rs = pink

Rear Climatronic operating and display unit, rear left seat temperature sensor, rear seat occupied sensor on driver side, heated rear left seat

E128 - Heated rear left seat switch with regulator

E265 - Operating and display unit for rear Climatronic

G94 - Rear left seat temperature sensor

G177 - Rear seat occupied sensor on driver side

SC1 - Fuse 1 on fuse holder C

T3h - 3-pin connector, black, connector E, on rear Climatronic operating and display unit

T6h - 6-pin connector, green, under rear seat, left

T8s - 8-connector, black, in rear seat, left

T12h - 12-pin connector, connector A, on rear Climatronic operating and display unit

T16h - 16-pin connector, connector D, on rear Climatronic operating and display unit

Z10 - Heated rear left seat

Z11 - Heated rear left seat backrest

61 - Earth point, left C-pillar

411 - Earth connection 2 (sender earth), in main wiring harness

- optional equipment
- models with seat heating

LAUNCH