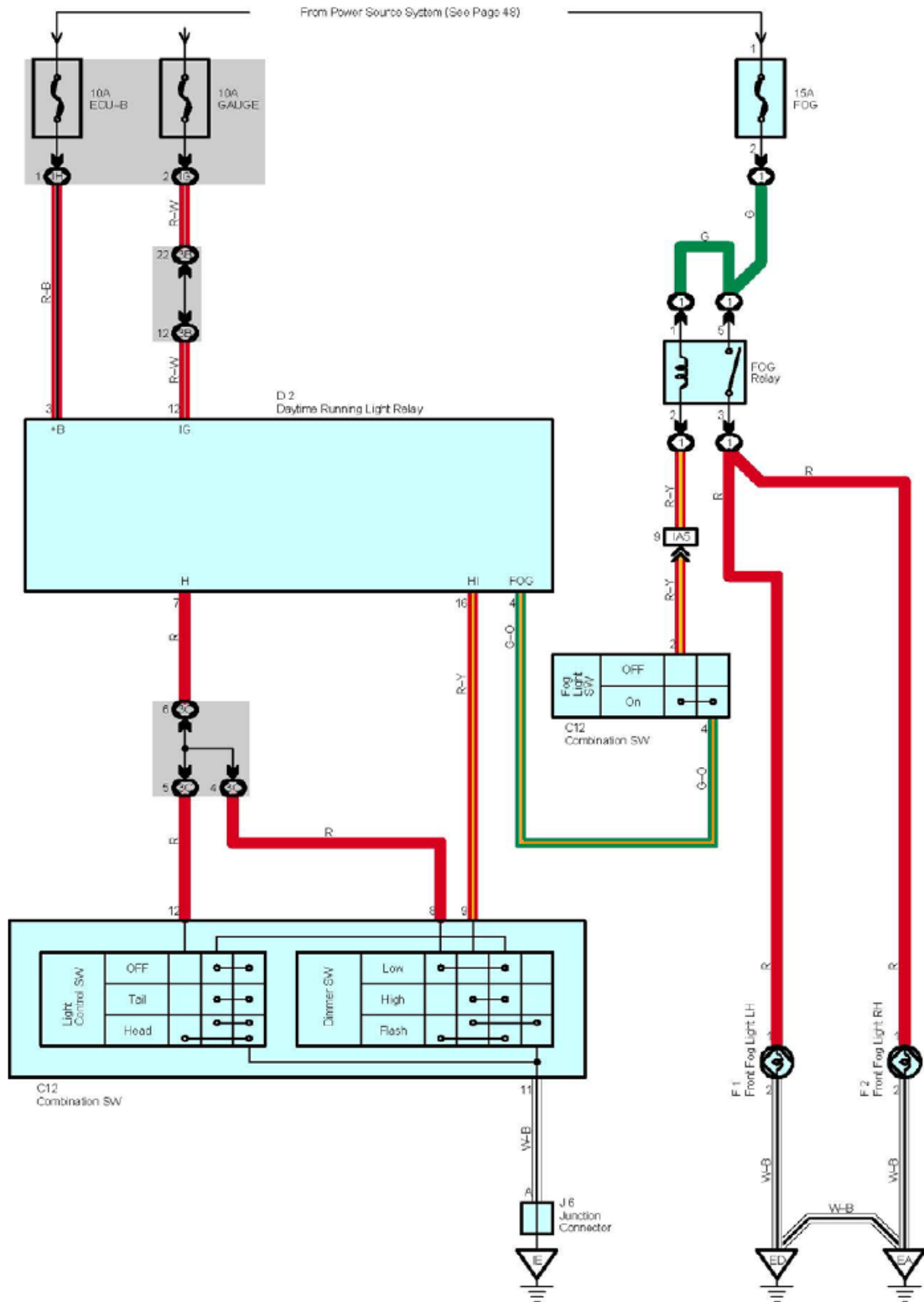


Fog Light



ServiceHints**FOG Relay**

3-5 : Closed with light control SW at Head position, dimmer SW at Low position and fog light SW at On position

Relay Blocks

| Code | Relay Blocks (Relay Block Location) |
|------|-------------------------------------------|
| 1 | Engine Room R/B (Engine Compartment Left) |

Junction Block and Wire Harness Connector

| Code | Junction Block and Wire Harness (Connector Location) |
|------|-------------------------------------------------------------------------------------------------------------------------------------------------------------------------|
| IG | Instrument Panel Wire and Instrument Panel J/B (Lower Finish Panel) Instrument Panel Wire and Instrument Panel J/B (Lower Finish Panel) |
| IH_ | |
| 3B | Instrument Panel Wire and RH J/B (Right Side of the Instrument Panel Reinforcement) Instrument Panel Wire and RH J/B (Right Side of the Instrument Panel Reinforcement) |
| 3C_ | |

Connector Joining Wire Harness and Wire Harness

| Code | Joining Wire Harness and Wire Harness (Connector Location) |
|------|---------------------------------------------------------------------------------------------------|
| IA5 | Engine Room Main Wire and Instrument Panel Wire (Left Side of the Instrument Panel Reinforcement) |

Ground Points

| Code | Ground Points Location |
|------|------------------------------|
| EA | Front Right Fender |
| ED | Front Left Suspension Tower |
| IE | Behind the Combination Meter |