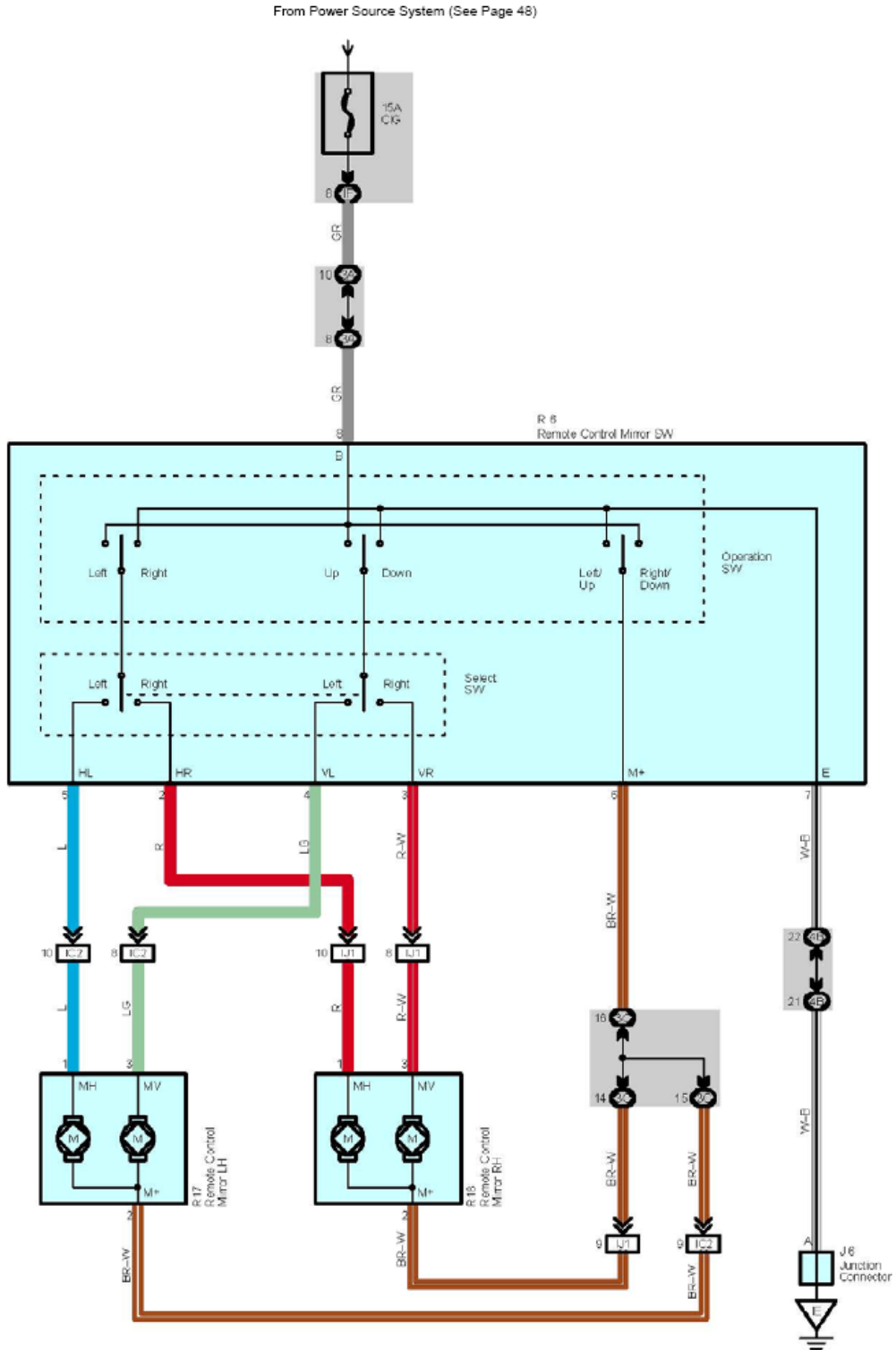


Remote Control Mirror



Service Hints**R6 Remote Control Mirror SW**

8-6 : Continuity with the operation SW at Down or Right position

6-7 : Continuity with the operation SW at Up or Left position

8-Ground : Approx. 12 volts with the ignition SW at ACC or ON position

7-Ground : Always continuity

Junction Block and Wire Harness Connector

Code	Junction Block and Wire Harness (Connector Location)
IF	Instrument Panel Wire and Instrument Panel J/B (Lower Finish Panel)
3A	Instrument Panel Wire and RH J/B (Right Side of the Instrument Panel Reinforcement)
3C	Instrument Panel Wire and RH J/B (Right Side of the Instrument Panel Reinforcement)
4B	Instrument Panel Wire and Center J/B (Behind the Combination Meter)

Connector Joining Wire Harness and Wire Harness

Code	Joining Wire Harness and Wire Harness (Connector Location)
IC2	Front Door LH Wire and Instrument Panel Wire (Left Kick Panel)
IJ1	Front Door RH Wire and Instrument Panel Wire (Right Kick Panel)

Ground Points

Code	Ground Points Location
IE	Behind the Combination Meter