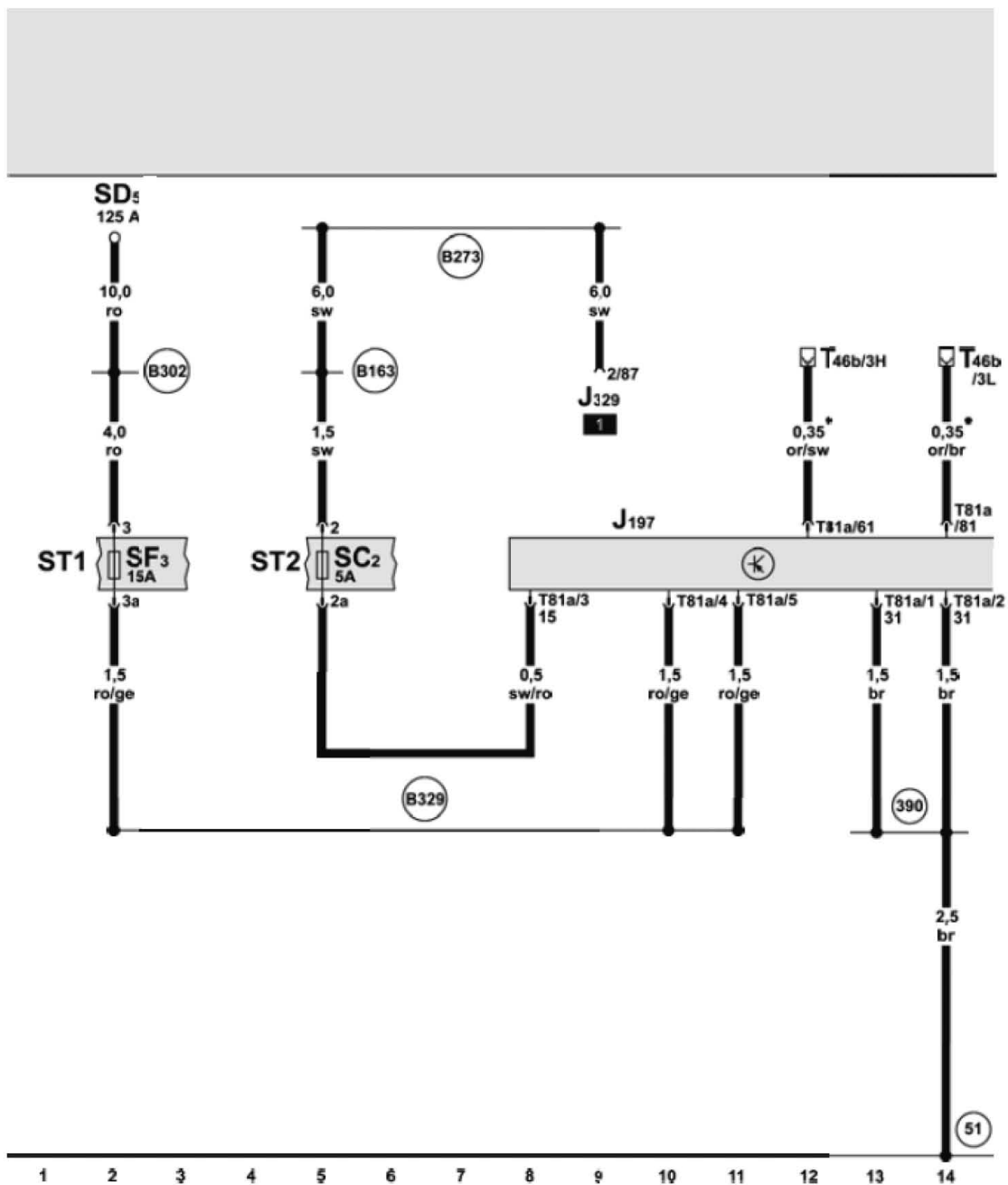


Adaptive suspension



ws = white sw = black ro = red br = brown gn = green bl = blue
 gr = grey li = purple ge = yellow or = orange rs = pink

Adaptive suspension control unit

J197 - Adaptive suspension control unit

J329 - Terminal 15 voltage supply relay

SC2 - Fuse 2 on fuse holder C

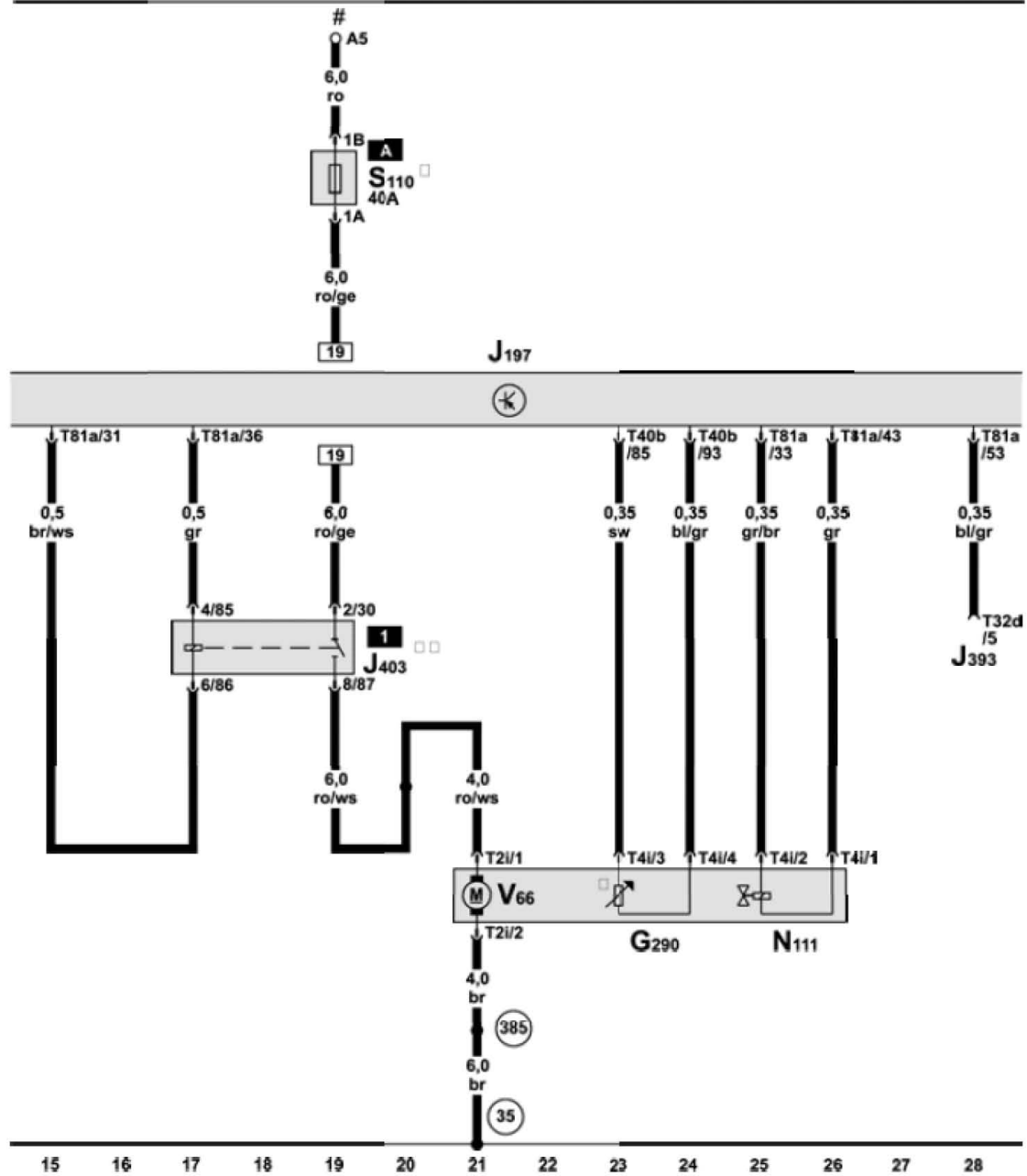
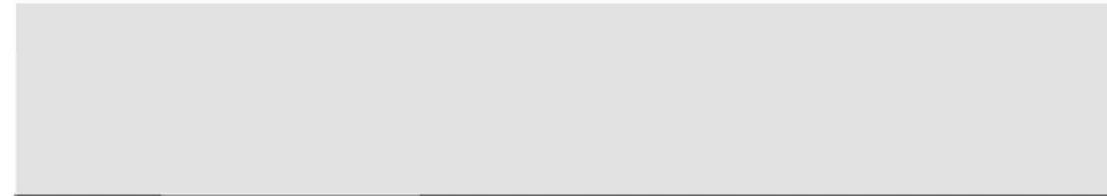
SD5 - Fuse 5 on fuse holder D

SF3 - Fuse 3 on fuse holder F

T46b - 46-pin connector, black, CAN separating connector right

T81a - 81-pin connector, black, connector A, on adaptive suspension control unit

- 51 - Earth point, on right in luggage compartment
- 390 - Earth connection 25, in main wiring harness
- B163 - Positive connection 1 (15), in interior wiring harness
- B273 - Positive connection (15), in main wiring harness
- B302 - Positive connection 6 (30), in main wiring harness
- B329 - Positive connection 15 (30a), in main wiring harness
 - CAN bus (data wire)
 - Relay and fuse carrier under driver seat



ws = white sw = black ro = red br = brown gn = green bl = blue
gr = grey li = purple ge = yellow or = orange rs = pink

Adaptive suspension control unit, adaptive suspension compressor relay, compressor temperature sender for adaptive suspension system, adaptive suspension drain valve, adaptive suspension compressor motor

G290 - Compressor temperature sender for adaptive suspension system

J197 - Adaptive suspension control unit

J393 - Convenience system central control unit

J403 - Adaptive suspension compressor relay

N111 - Adaptive suspension drain valve

S110 - Levelling system fuse

T2i - 2-pin connector, black, on adaptive suspension compressor

T4i - 4-pin connector, black, on adaptive suspension compressor

T32d - 32-pin connector, on convenience system central control unit

T40b - 40-pin connector, black, connector B, on adaptive suspension control unit

T81a - 81-pin connector, black, connector A, on adaptive suspension control unit

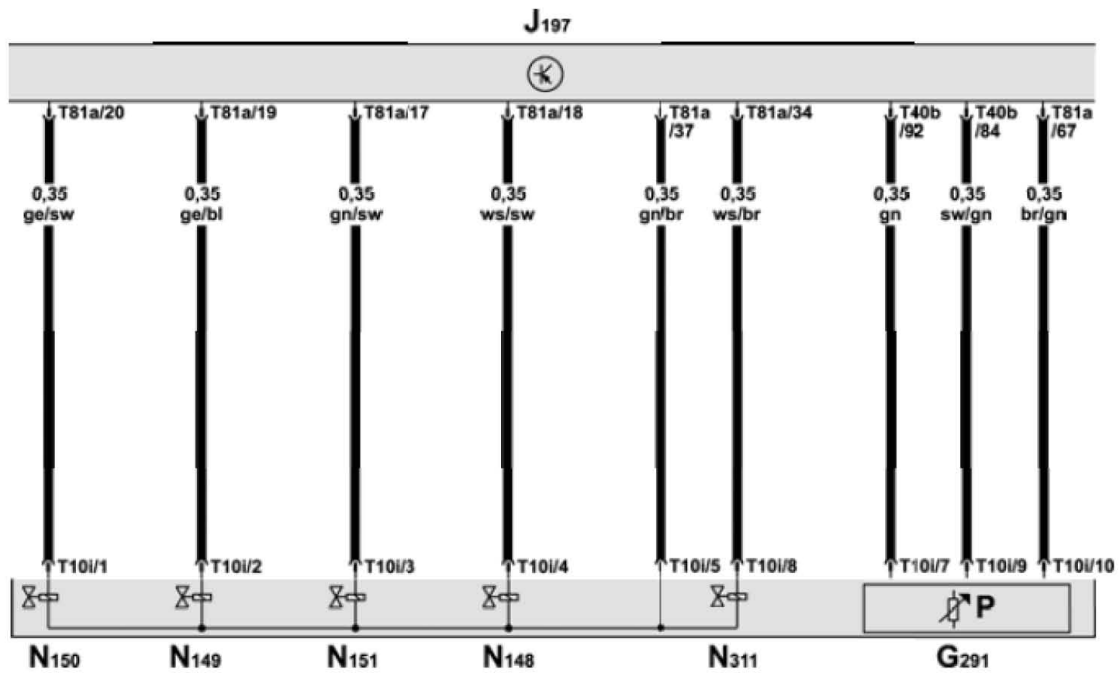
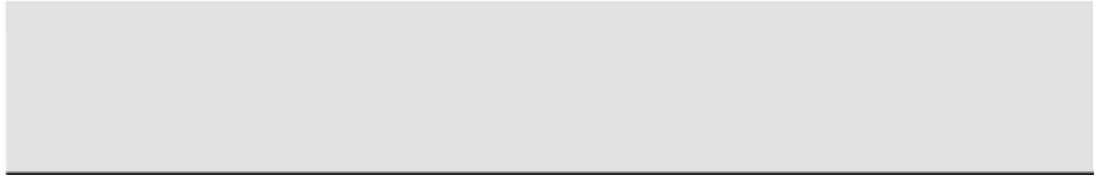
V66 - Adaptive suspension compressor motor

35 - Earth point, under front passenger seat

385 - Earth connection 20, in main wiring harness

- Relay and fuse carrier under driver seat
- relay and fuse carrier centre dash panel
- main fuse carrier under driver seat

LAUNCH



29	30	31	32	33	34	35	36	37	38	39	40	41	42
ws = white	sw = black	ro = red	br = brown	gn = green	bl = blue								
gr = grey	li = purple	ge = yellow	or = orange	rs = pink									

Adaptive suspension control unit, adaptive suspension pressure sender, adaptive suspension pressure accumulator valve, front and rear suspension strut valve

G291 - Adaptive suspension pressure sender

J197 - Adaptive suspension control unit

N148 - Front left suspension strut valve

N149 - Front right suspension strut valve

N150 - Rear left suspension strut valve

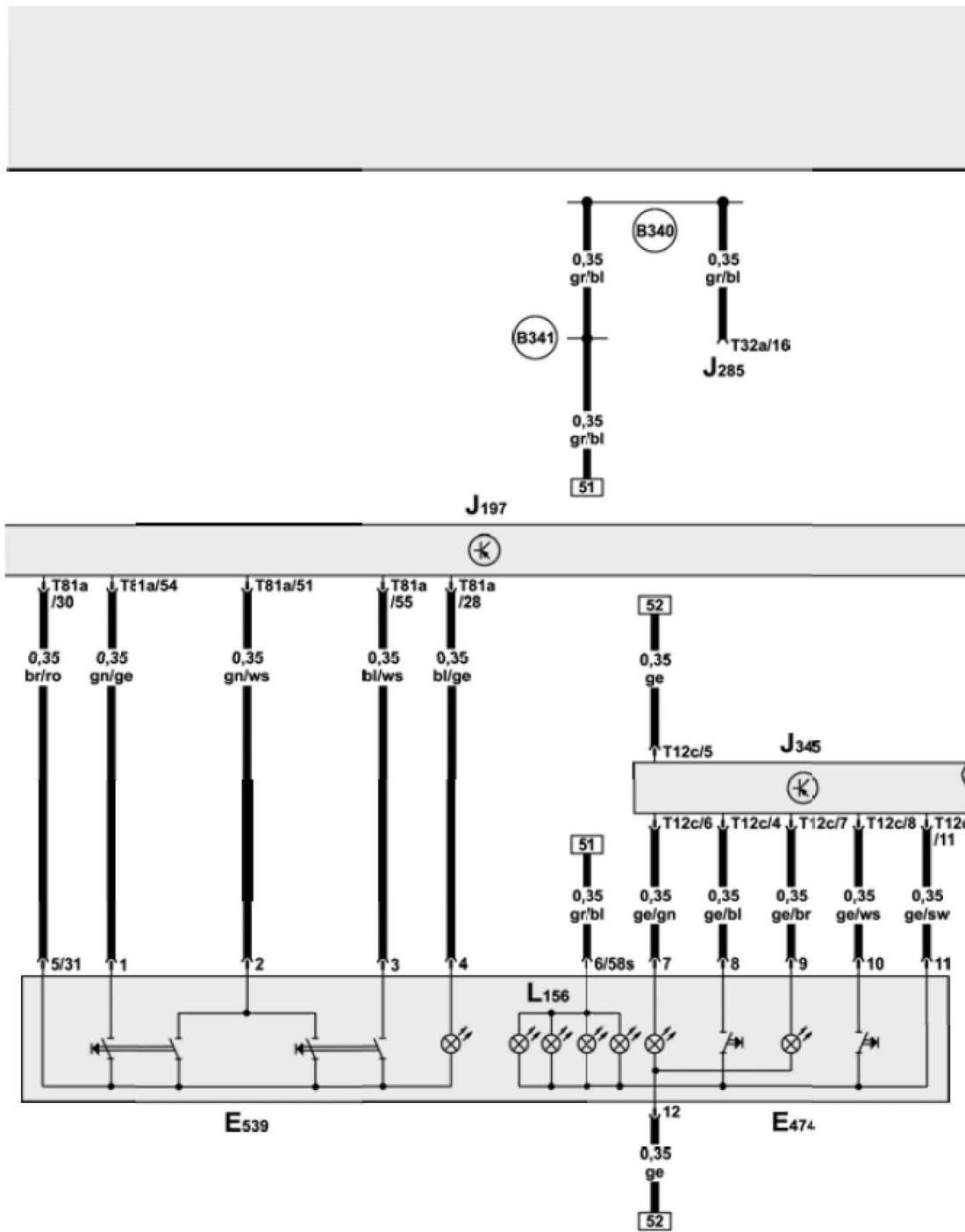
N151 - Rear right suspension strut valve

N311 - Adaptive suspension pressure accumulator valve

T10i - 10-pin connector, black, on solenoid valve

T40b - 40-pin connector, black, connector B, on adaptive suspension control unit

T81a - 81-pin connector, black, connector A, on adaptive suspension control unit



43	44	45	46	47	48	49	50	51	52	53	54	55	56
----	----	----	----	----	----	----	----	----	----	----	----	----	----

ws = white sw = black ro = red br = brown gn = green bl = blue
 gr = grey li = purple ge = yellow or = orange rs = pink

Adaptive suspension control unit, loading height button, electric hinged tow coupling attachment button

E474 - Electric hinged tow coupling attachment button

E539 - Loading height button

J197 - Adaptive suspension control unit

J285 - Control unit in dash panel insert

J345 - Trailer detector control unit

L156 - Switch illumination bulb

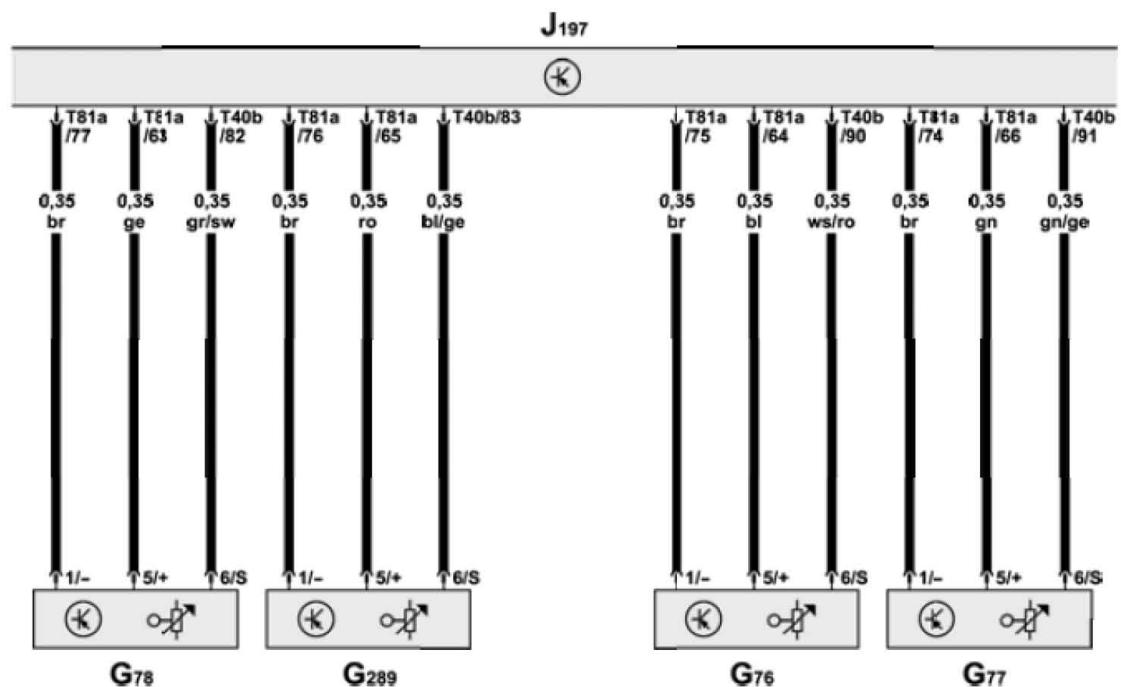
T12c - 12-pin connector, blue, on trailer detector control unit

T32a - 32-pin connector, grey, on control unit in dash panel insert

T81a - 81-pin connector, black, connector A, on adaptive suspension control unit

B340 - Connection 1 (58s), in main wiring harness

B341 - Connection 2 (58s), in main wiring harness



57	58	59	60	61	62	63	64	65	66	67	68	69	70
----	----	----	----	----	----	----	----	----	----	----	----	----	----

ws = white sw = black ro = red br = brown gn = green bl = blue
 gr = grey li = purple ge = yellow or = orange rs = pink

Adaptive suspension control unit, vehicle inclination sender

G76 - Rear left vehicle level sender

G77 - Rear right vehicle level sender

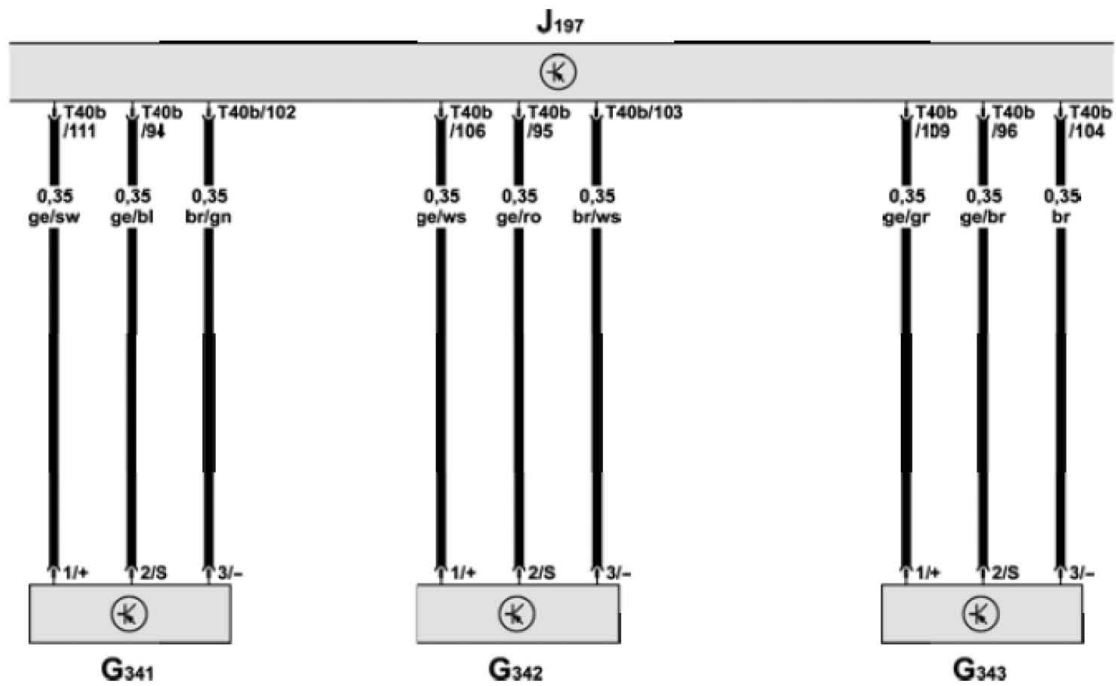
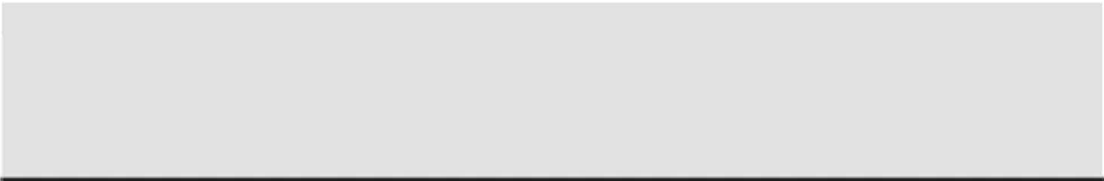
G78 - Front left vehicle level sender

G289 - Front right vehicle level sender

J197 - Adaptive suspension control unit

T40b - 40-pin connector, black, connector B, on adaptive suspension control unit

T81a - 81-pin connector, black, connector A, on adaptive suspension control unit



71	72	73	74	75	76	77	78	79	80	81	82	83	84
ws = white	sw = black	ro = red	br = brown	gn = green	bl = blue								
gr = grey	li = purple	ge = yellow	or = orange	rs = pink									

Adaptive suspension control unit, body acceleration sender

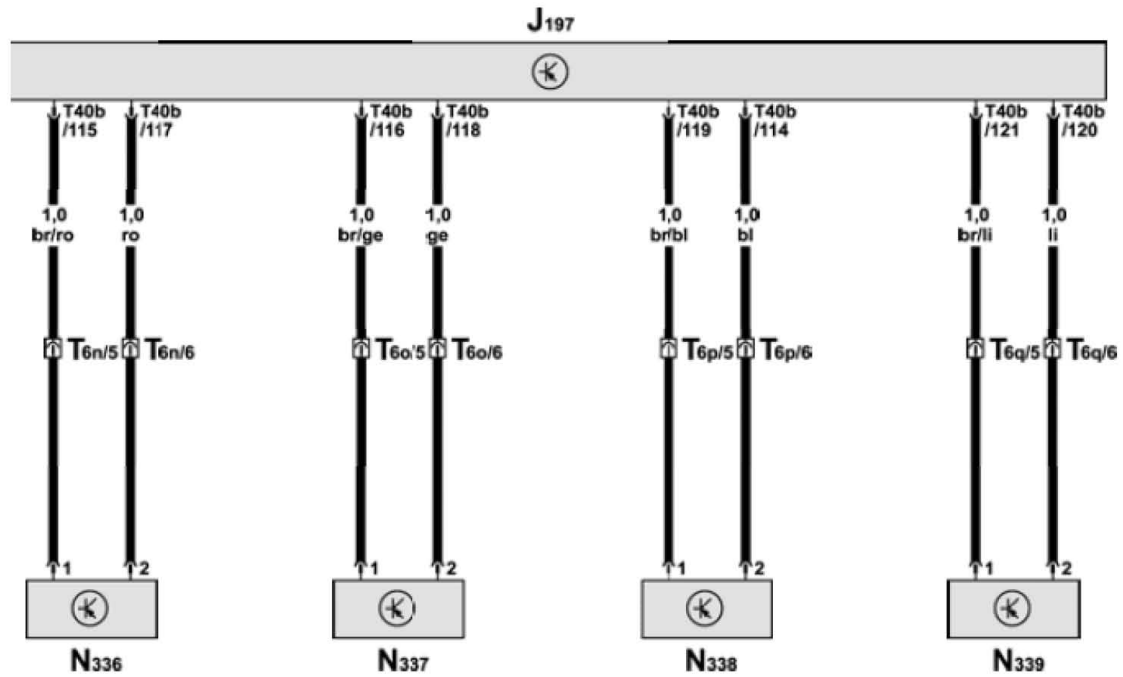
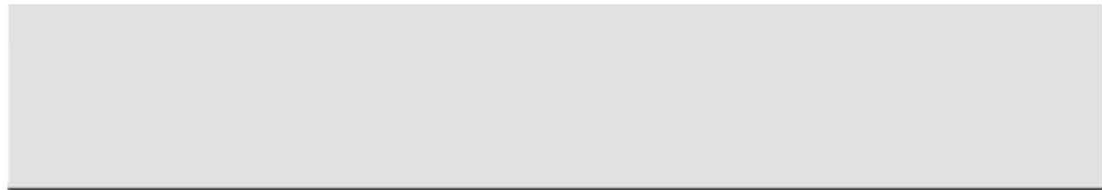
G341 - Front left body acceleration sender

G342 - Front right body acceleration sender

G343 - Rear body acceleration sender

J197 - Adaptive suspension control unit

T40b - 40-pin connector, black, connector B, on adaptive suspension control unit



85	86	87	88	89	90	91	92	93	94	95	96	97	98
----	----	----	----	----	----	----	----	----	----	----	----	----	----

ws = white sw = black ro = red br = brown gn = green bl = blue
 gr = grey li = purple ge = yellow or = orange rs = pink

Adaptive suspension control unit, shock absorber damper adjustment valve

J197 - Adaptive suspension control unit

N336 - Front left shock absorber damper adjustment valve

N337 - Front right shock absorber damper adjustment valve

N338 - Rear left shock absorber damper adjustment valve

N339 - Rear right shock absorber damping adjustment valve

T6n - 6-connector, black, in front left engine compartment

T6o - 6-pin connector, black, in front right engine compartment

T6p - 6-pin connector, black, on rear left vehicle floor

T6q - 6-pin connector, black, on rear right vehicle floor

T40b - 40-pin connector, black, connector B, on adaptive suspension control unit