

B1327 B1332 IMPACT SENSOR

DTC DESCRIPTION

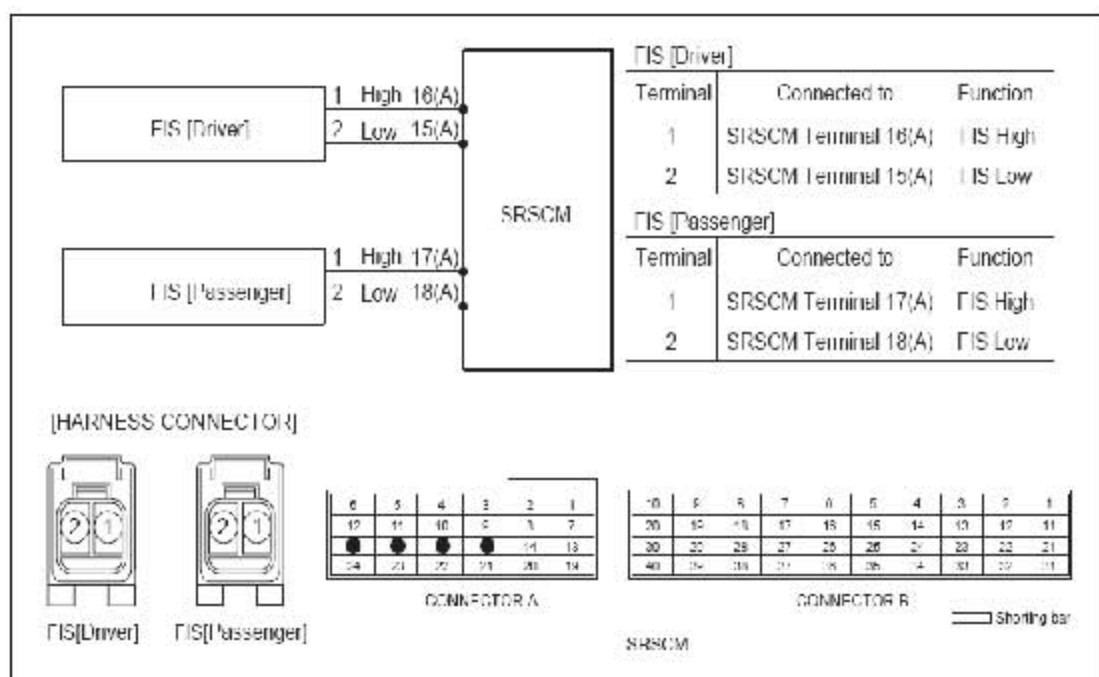
The detecting system for front crash consists of the SRSCM and two Front Impact Sensors (FIS). The SRSCM sets above DTC(s) if it detects short to battery on the FIS circuit.

DTC	FAULT DESCRIPTION
B1327	FRONT IMPACT SENSOR [DRIVER] SHORT TO BATTERY
B1332	FRONT IMPACT SENSOR [PASSENGER] SHORT TO BATTERY

DTC DETECTING CONDITION

DTC	Condition	Probable cause
B1327 B1332	<ul style="list-style-type: none"> • Short to battery line between FIS and SRSCM • Front Impact Sensor(FIS) Malfunction • SRSCM Malfunction 	<ul style="list-style-type: none"> • Short to battery line on Wiring Harness • Front Impact Sensor(FIS) • SRSCM

SCHEMATIC DIAGRAM



TERMINAL & CONNECTOR INSPECTION

Refer to the DESCRIPTION in this TROUBLESHOOTING section.

INSPECTION PROCEDURE

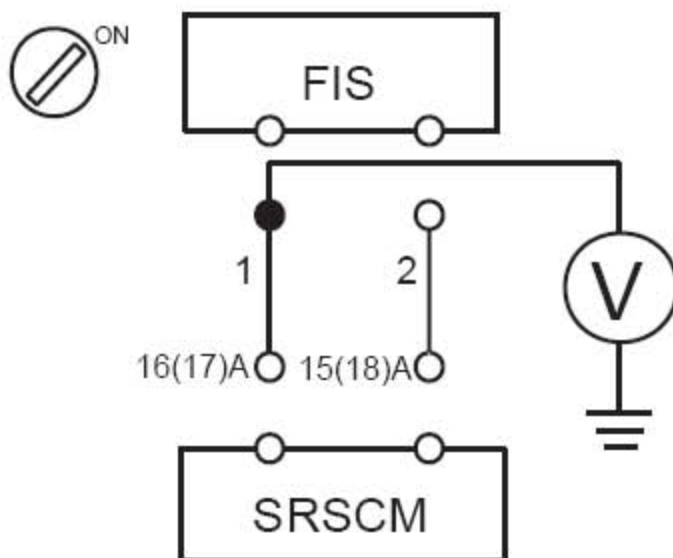
1). PREPARATION

Refer to the DESCRIPTION in this TROUBLESHOOTING section.

2). CHECK FIS CIRCUIT

- A) Connect the battery negative cable to the battery.
- B) Turn the ignition switch to ON.
- C) Measure voltage between the terminal 1 of FIS harness connector and chassis ground.

Specification (voltage) : Approximately 0 V
--



D) Is the measured voltage within specification?

YES

- ▶ Check the battery.

NO

- ▶ Repair the short to battery line circuit on wiring harness between the FIS and the SRSCM.

3). CHECK FRONT IMPACT SENSOR

- A) Replace the front impact sensor(FIS) with a new one.

Refer to "Front Impact Sensor(FIS)" section in this SERVICE MANUAL.

- B) Install the DAB module and connect the DAB connector.
 - C) Connect the connectors of the PAB, SAB, CAB, BPT, FIS and SIS.
 - D) Connect the SRSCM connector.
 - E) Connect the battery negative cable to the battery.
 - F) Connect a Hi-Scan(Pro) to the data link connector.
 - G) Turn the ignition switch to ON and check the vehicle again.
- Does Hi-Scan (Pro) indicate any DTC related to FIS?

YES

- ▶ Go to next step.

NO

- ▶ Replace the Front Impact Sensor(FIS).

4). CLEAR THE DTC AND CHECK THE DTC AGAIN

Refer to the DESCRIPTION in this TROUBLESHOOTING section.