

71 72 73 74 75 76 77 78 79 80 81 82 83 84

ws = white sw = black ro = red br = brown gn = green bl = blue

gr = grey li = purple ge = yellow or = orange rs = pink

headlight flasher switch, intermittent wiper switch, horn plate

E2 - Turn signal switch

E5 - Headlight flasher switch

E22 - Intermittent wiper switch

F350 - Coil connector

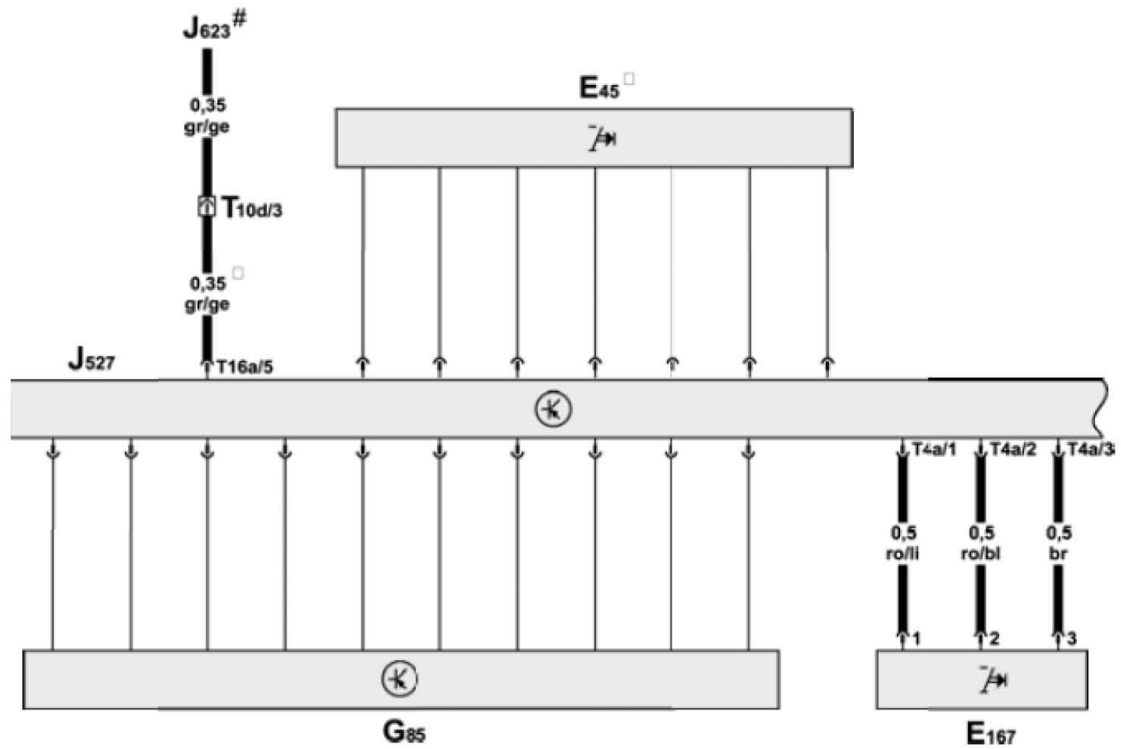
H - Horn plate

J527 - Steering column electronics control unit

T16a - 16-pin connector, on steering column electronics control unit

T46a - 46-pin connector, black, CAN separating connector left

- CAN bus (data wire)



| | | | | | | | | | | | | | |
|----|----|----|----|----|----|----|----|----|----|----|----|----|----|
| 85 | 86 | 87 | 88 | 89 | 90 | 91 | 92 | 93 | 94 | 95 | 96 | 97 | 98 |
|----|----|----|----|----|----|----|----|----|----|----|----|----|----|

ws = white sw = black ro = red br = brown gn = green bl = blue
 gr = grey li = purple ge = yellow or = orange rs = pink

Steering column electronics control unit, cruise control system switch, steering column adjustment switch, steering angle sender

E45 - Cruise control system switch

E167 - Steering column adjustment switch

G85 - Steering angle sender

J527 - Steering column electronics control unit

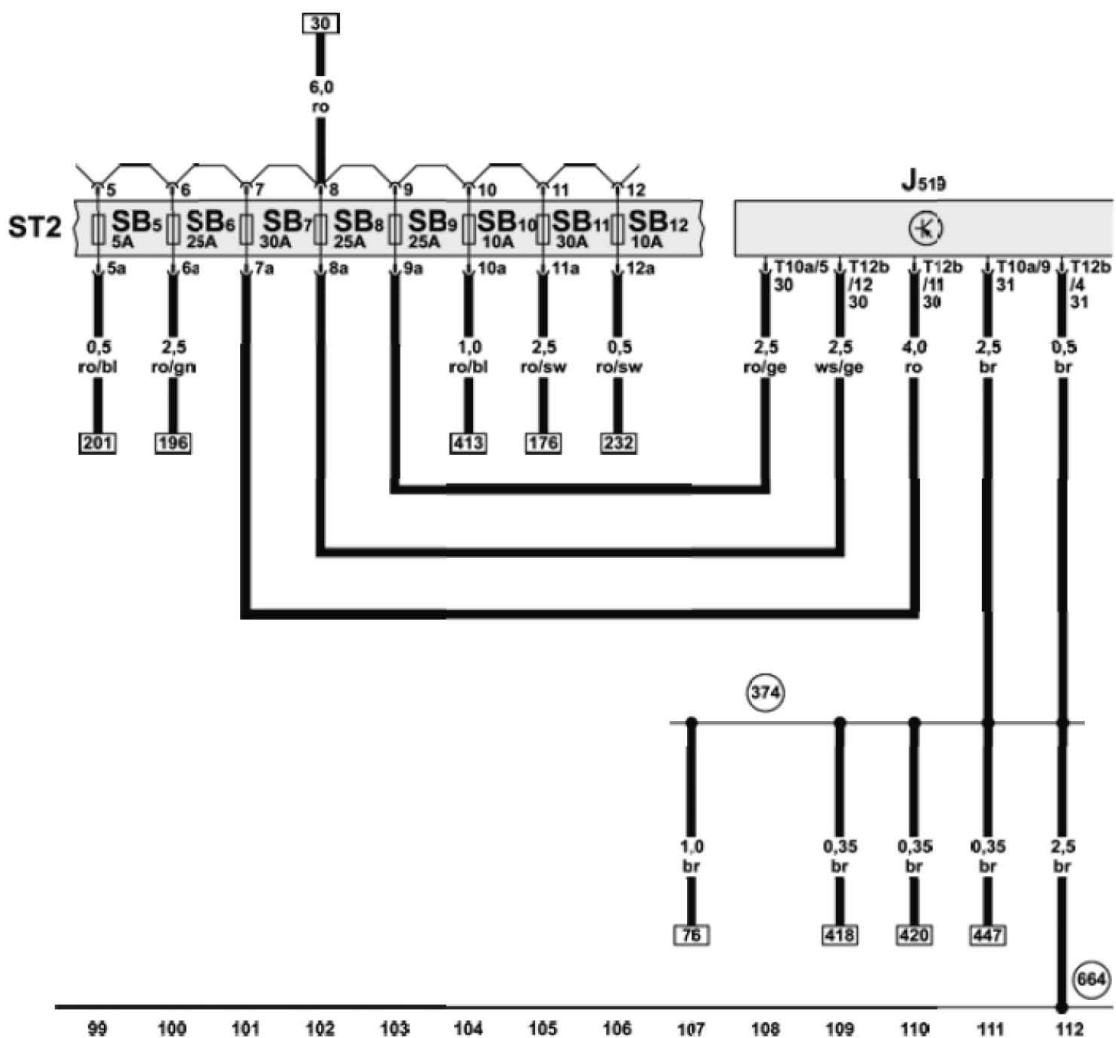
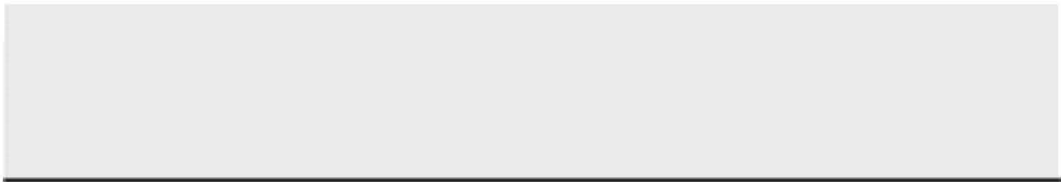
J623 - Engine control unit

T4a -4-pin connector, black, on steering column electronics control unit

T10d -10-pin connector, blue, coupling station on electronics box, plenum chamber

T16a - 16-pin connector, on steering column electronics control unit

- models with cruise control system
- see engine Current Flow Diagram



ws = white sw = black ro = red br = brown gn = green bl = blue
 gr = grey li = purple ge = yellow or = orange rs = pink

Onboard power supply control unit, fuses

J519 - Onboard supply control unit

- SB5 - Fuse 5 on fuse holder B
- SB6 - Fuse 6 on fuse holder B
- SB7 - Fuse 7 on fuse holder B
- SB8 - Fuse 8 on fuse holder B
- SB9 - Fuse 9 on fuse holder B

ws = white sw = black ro = red br = brown gn = green bl = blue

gr = grey li = purple ge = yellow or = orange rs = pink

Onboard supply control unit, light switch, headlight range control regulator

E1 - Light switch

E7 - Fog light switch

E18 - Rear fog light switch

E102 - Headlight range control regulator

J519 - Onboard supply control unit

K4 - Side light warning lamp

K13 - Rear fog light warning lamp

K17 - Fog light warning lamp

L9 - Light switch illumination bulb

T12b - 12-pin connector, black, on onboard supply control unit

T32b - 32-pin connector, grey, on onboard supply control unit

T46a - 46-pin connector, black, CAN separating connector left

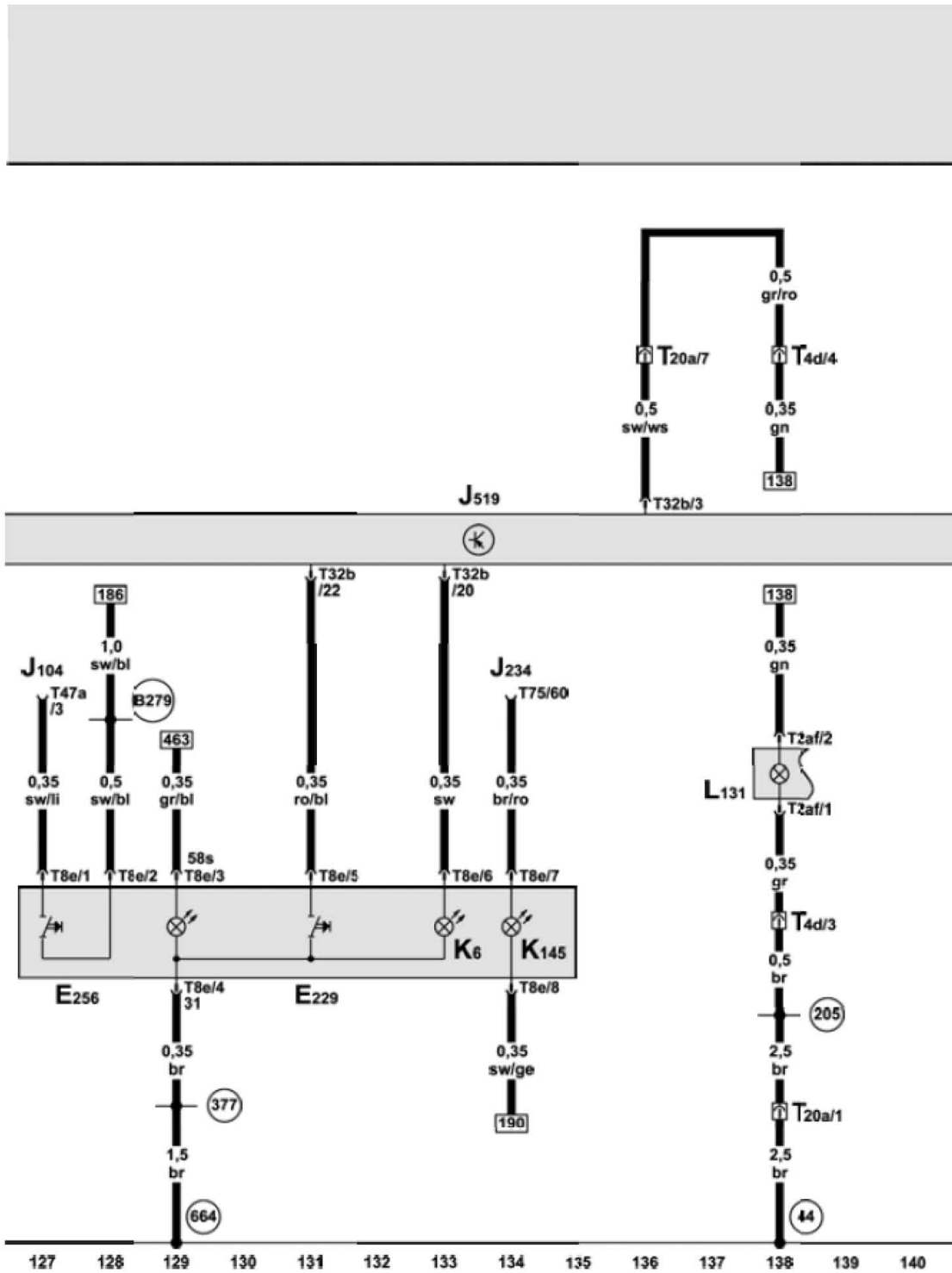
44 - Earth point, lower part of left A-pillar

372 - Earth connection 7, in main wiring harness

B277 - Positive connection 1 (15a), in main wiring harness

- CAN bus (data wire)

LAUNCH



ws = white sw = black ro = red br = brown gn = green bl = blue
 gr = grey li = purple ge = yellow or = orange rs = pink

Onboard supply control unit, TCS and ESP button, hazard warning lights button, driver side exterior mirror turn signal bulb

E229 - Hazard warning lights button

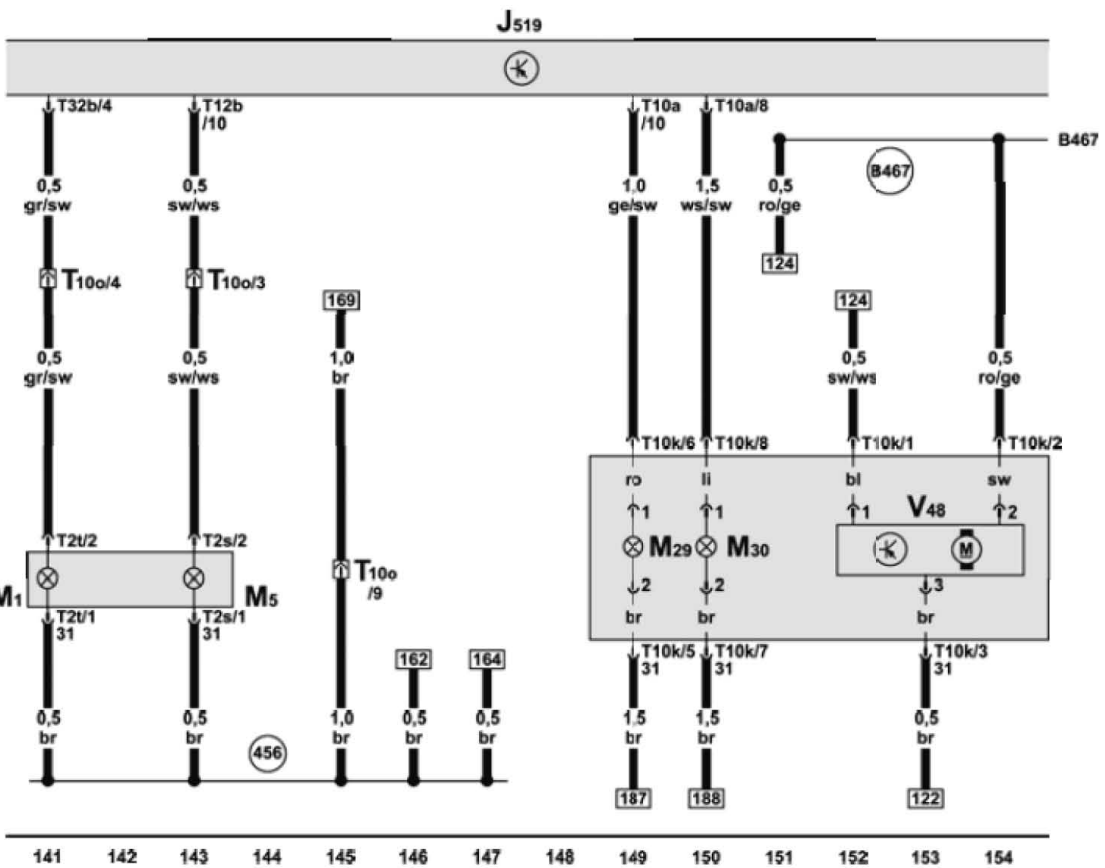
E256 - TCS and ESP button

J104 - ABS control unit

J234 - Airbag control unit

J519 - Onboard supply control unit
K6 - Hazard warning light system warning lamp
K145 - Front passenger side airbag deactivated warning lamp
L131 - Driver side exterior mirror turn signal bulb
T2af - 2 pin connector, turn signal in exterior mirror
T4d - 4-pin connector, black, in driver door
T8e - 8-pin connector, black, on centre vent switch module
T20a - 20-pin connector, black, front left door
T32b - 32-pin connector, grey, on onboard supply control unit
T47a - 47-pin connector, on ABS control unit
T75 - 75-pin connector, grey, on airbag control unit (USA: white)
44 - Earth point, lower part of left A-pillar
205 - Earth connection, in driver door wiring harness
377 - Earth connection 12, in main wiring harness
664 - Earth point, on left behind dash panel
B279 - Positive connection 3 (15a), in main wiring harness

LAUNCH



ws = white sw = black ro = red br = brown gn = green bl = blue
 gr = grey li = purple ge = yellow or = orange rs = pink

Onboard supply control unit, left side light bulb, front left turn signal bulb, left dipped beam bulb, Left main beam bulb, left headlight range control motor

J519 - Onboard supply control unit

M1 - Left side light bulb

M5 - Front left turn signal bulb

M29 - Left dipped beam bulb

M30 - Left main beam bulb

T2s - 2-pin connector, black, on front left turn signal

T2t - 2-pin connector, black, on front left turn signal

T10a - 10-pin connector, black, on onboard supply control unit

T10k - 10-pin connector, black, on left of headlight

T10o - 10-pin connector, black, in front right engine compartment

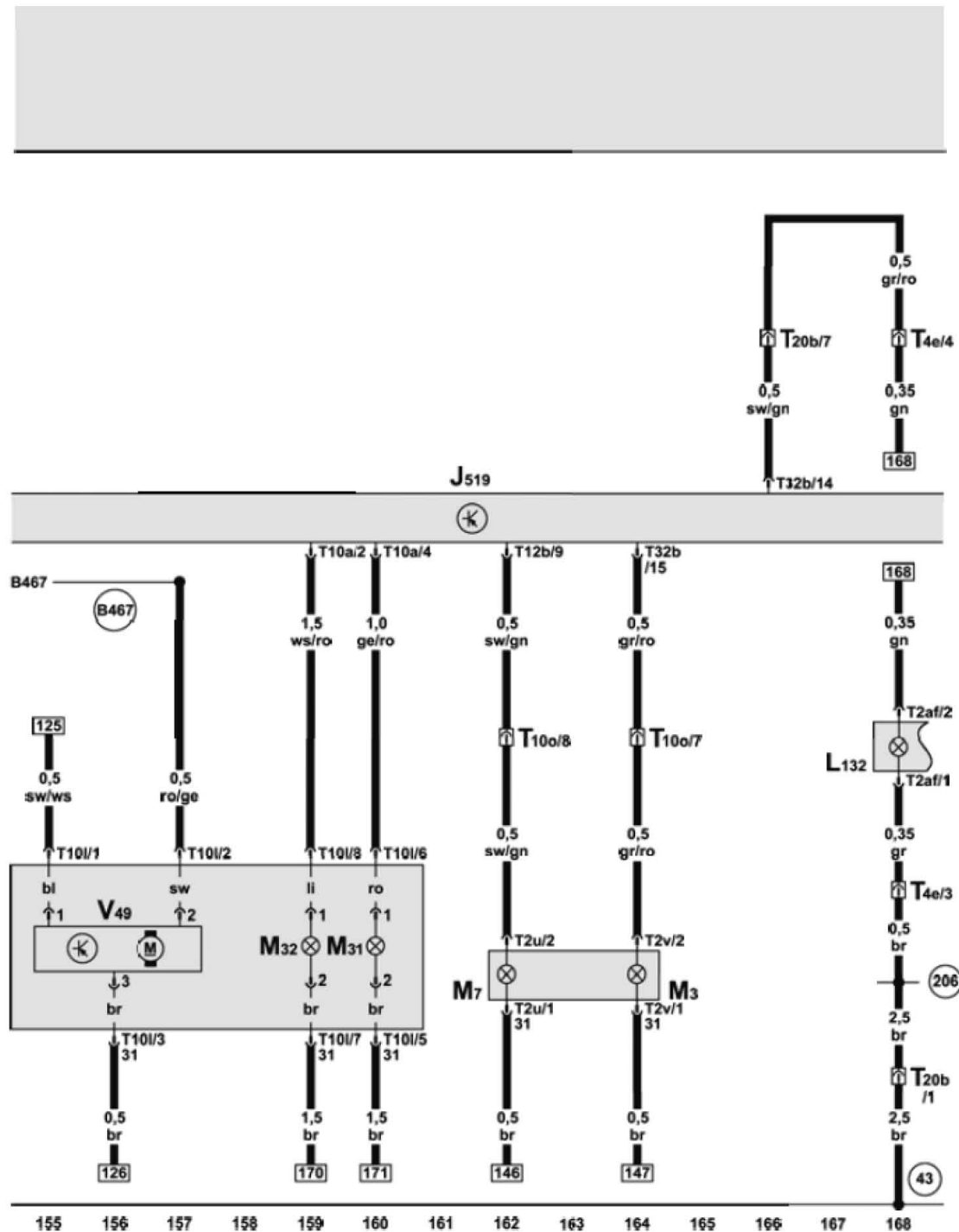
T12b - 12-pin connector, black, on onboard supply control unit

T32b - 32-pin connector, grey, on onboard supply control unit

V48 - Left headlight range control motor

456 - Earth connection 1, in front bumper wiring harness

B467 - Connection 3, in main wiring harness



ws = white sw = black ro = red br = brown gn = green bl = blue
 gr = grey li = purple ge = yellow or = orange rs = pink

Onboard supply control unit, front passenger side exterior mirror turn signal bulb, right side light bulb, front right turn signal bulb, right dipped beam bulb, right headlight range control motor

J519 - Onboard supply control unit

L132 - Front passenger side exterior mirror turn signal bulb
M3 - Right side light bulb
M7 - Front right turn signal bulb
M31 - Right dipped beam bulb
M32 - Right main beam bulb
T2u - 2-pin connector, black, on front right turn signal
T2v - 2-pin connector, black, on front right turn signal
T2af - 2 pin connector, turn signal in exterior mirror
T4e - 4-pin connector, black, in front passenger door
T10a - 10-pin connector, black, on onboard supply control unit
T10l - 10-pin connector, black, on right of headlight
T10o - 10-pin connector, black, in front right engine compartment
T12b - 12-pin connector, black, on onboard supply control unit
T20b - 20-pin connector, black, front right door
T32b - 32-pin connector, grey, on onboard supply control unit
V49 - Right headlight range control motor
43 - Earth point, lower part of right A-pillar
206 - Earth connection, in door wiring harness, front passengerside
B467 - Connection 3, in main wiring harness

LAUNCH