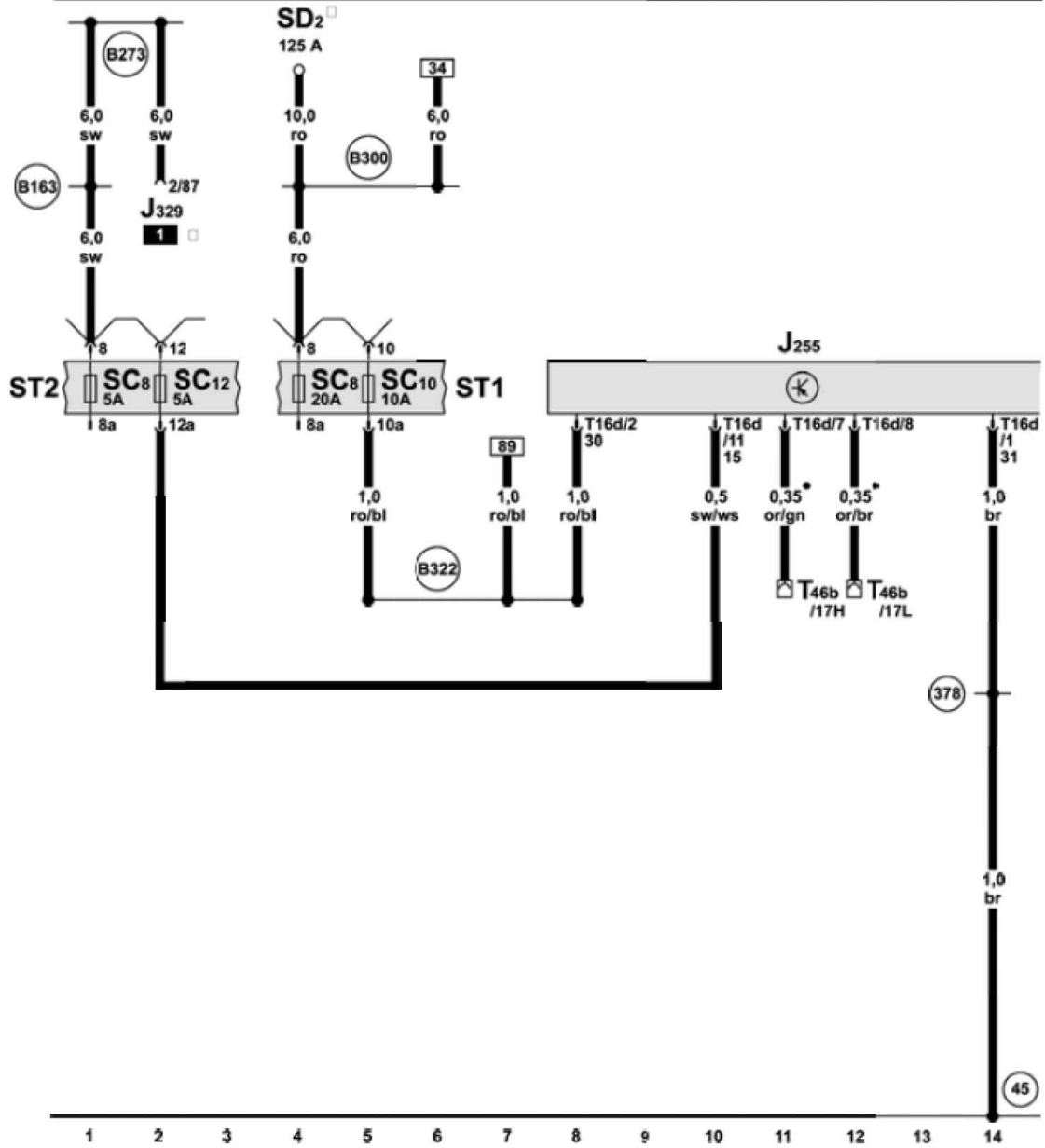


Air conditioning system basis

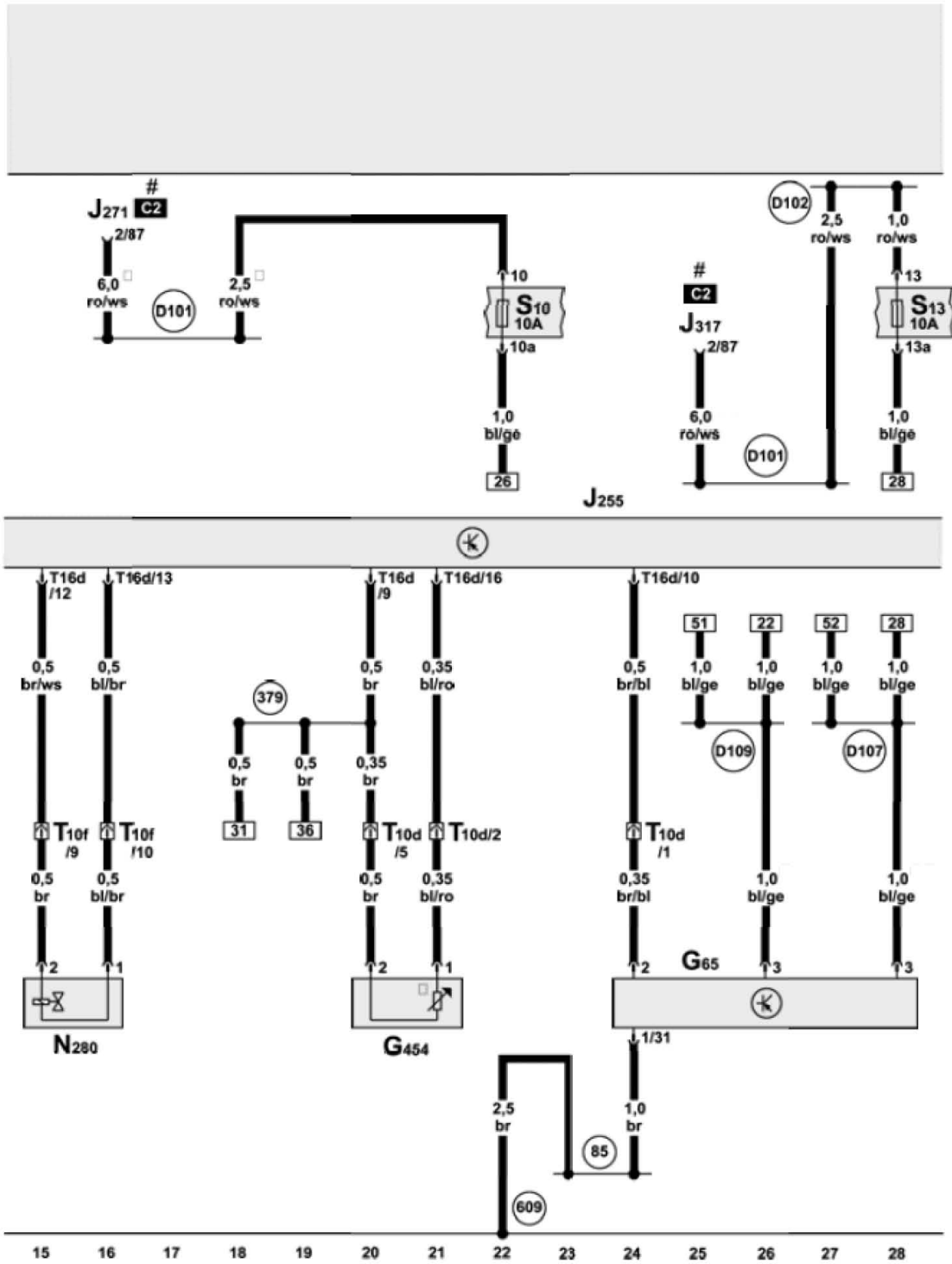


ws = white sw = black ro = red br = brown gn = green bl = blue
 gr = grey li = purple ge = yellow or = orange rs = pink

- Climatronic control unit, fuses
- J255 - Climatronic control unit
- J329 - Terminal 15 voltage supply relay
- SC8 - Fuse 8 on fuse holder C
- SC10 - Fuse 10 on fuse holder C
- SC12 - Fuse 12 on fuse holder C

- SD2 - Fuse 2 on fuse holder D
- T16d - 16-pin connector, black, connector D, on Climatronic control unit
- T46b - 46-pin connector, black, CAN separating connector right
- 45 - Earth point, centre behind dash panel
- 378 - Earth connection 13, in main wiring harness
- B163 - Positive connection 1 (15), in interior wiring harness
- B273 - Positive connection (15), in main wiring harness
- B300 - Positive connection 4 (30), in main wiring harness
- B322 - Positive connection 8 (30a), in main wiring harness
 - CAN bus (data wire)
 - Fuse and relay carrier under driver seat

LAUNCH



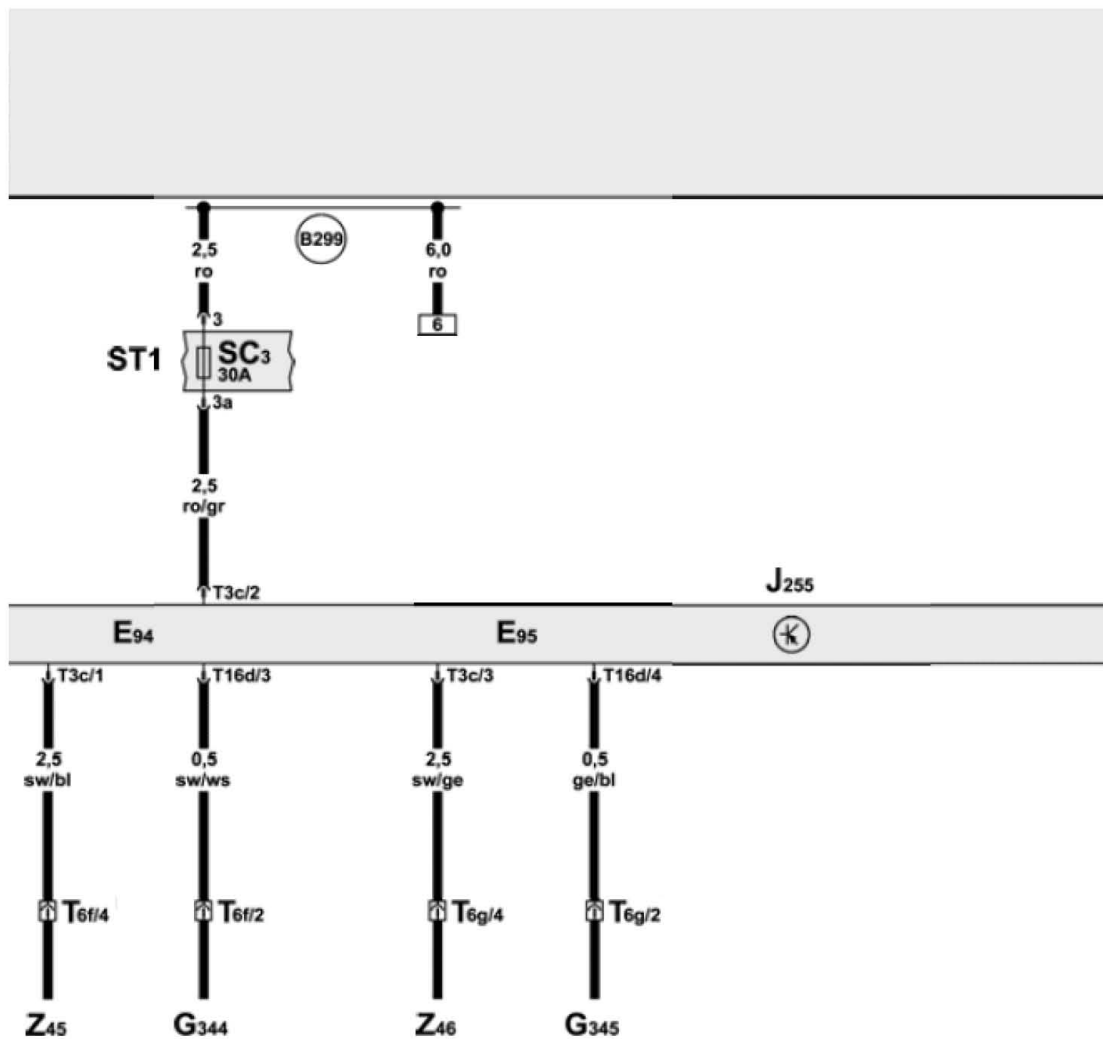
ws = white sw = black ro = red br = brown gn = green bl = blue
 gr = grey li = purple ge = yellow or = orange rs = pink

Climatronic control unit, high pressure sender, refrigerant temperature sender, air conditioning system compressor regulating valve

- G65 - High pressure sender
- G454 - Refrigerant temperature sender
- J255 - Climatronic control unit
- J271 - Motronic current supply relay
- J317 - Terminal 30 voltage supply relay

N280 - Air conditioning system compressor regulating valve
S10 - Fuses in relay plate fuse holder
S13 - Fuses in relay plate fuse holder
T10d - 10-pin connector, blue, coupling station on electronics box, plenum chamber
T10f - 10-pin connector, red, coupling station on electronics box, plenum chamber
T16d - 16-pin connector, black, connector D, on Climatronic control unit
85 - Earth connection 1, in engine compartment wiring harness
379 - Earth connection 14, in main wiring harness
609 - Earth point, on right in plenum chamber
D101 - Connection 1, in engine compartment wiring harness
D102 - Connection 2, in engine compartment wiring harness
D107 - Connection 5, in engine compartment wiring harness
D109 - Connection 7, in engine compartment wiring harness
- 4.2 l engine, engine code BAR
- 3,0 l Diesel engine, engine codes BUN, BUG
- Relay and fuse carrier, electronics box plenum chamber

LAUNCH



29	30	31	32	33	34	35	36	37	38	39	40	41	42
----	----	----	----	----	----	----	----	----	----	----	----	----	----

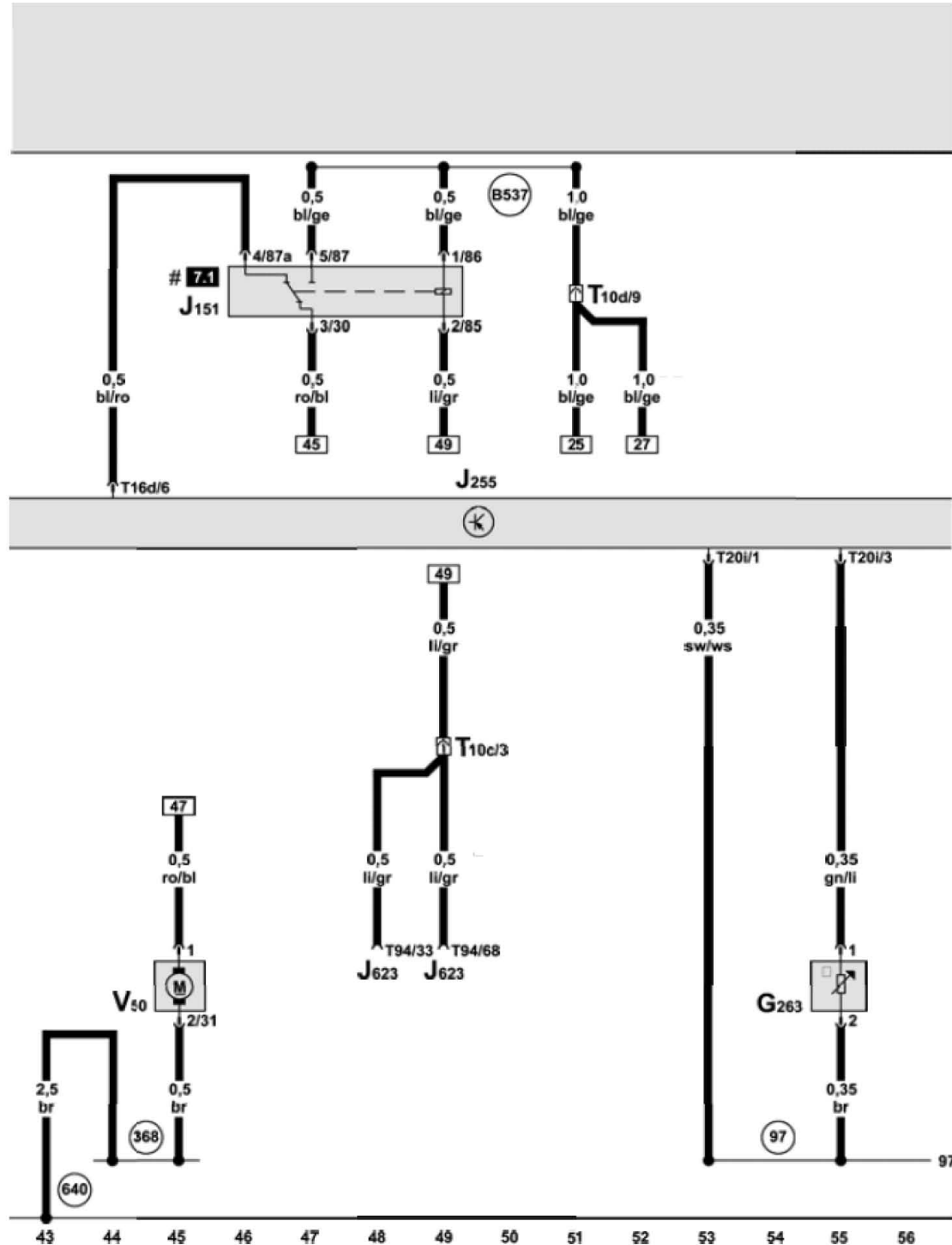
ws = white sw = black ro = red br = brown gn = green bl = blue
 gr = grey li = purple ge = yellow or = orange rs = pink

- Climatronic control unit, front seat temperature sender, front seat heating, heated driver seat regulator
- E94 - Heated driver seat regulator
- E95 - Heated front passenger seat regulator
- G344 - Front left seat temperature sender
- G345 - Front right seat temperature sender
- J255 - Climatronic control unit
- SC3 - Fuse 3 on fuse holder C
- T3c - 3-pin connector, black, connector E, on Climatronic control unit
- T6f - 6-pin connector, green, under driver seat
- T6g - 6-pin connector, green, under front passenger seat
- T16d - 16-pin connector, black, connector D, on Climatronic control unit
- Z45 - Front left seat heating

Z46 - Front right seat heating

B299 - Positive connection 3 (30), in main wiring harness

- models with heated seat, see seat heater Current Flow Diagram



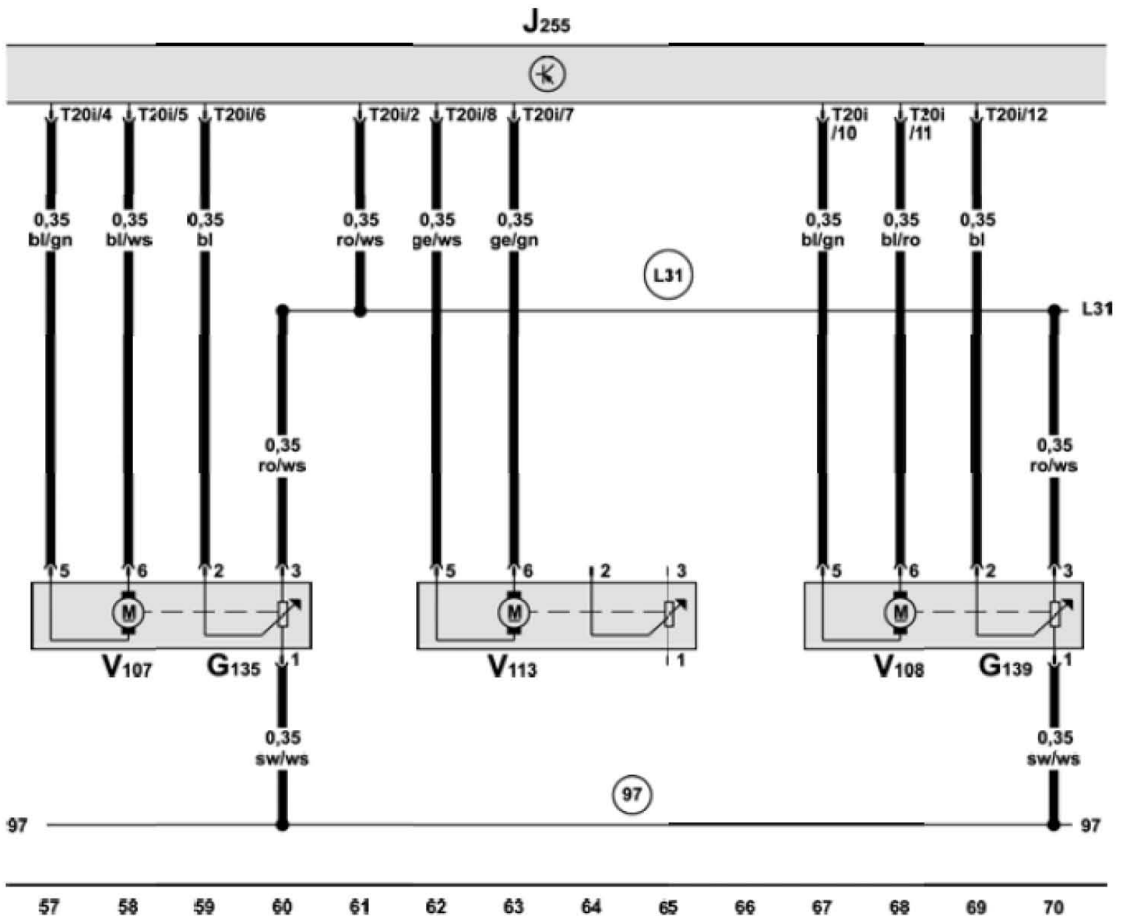
ws = white sw = black ro = red br = brown gn = green bl = blue
 gr = grey li = purple ge = yellow or = orange rs = pink
 Climatronic control unit, continued coolant circulation relay, coolant circulation pump, evaporator output temperature

G263 - Evaporator output temperature sender

J151 - Continued coolant circulation relay

J255 - Climatronic control unit
J623 - Engine control unit
T10c - 10-pin connector, pink, coupling station on electronics box, plenum chamber
T10d - 10-pin connector, blue, coupling station on electronics box, plenum chamber
T16d - 16-pin connector, black, connector D, on Climatronic control unit
T20i - 20-pin connector, red, connector B, on Climatronic control unit
T94 - 94-pin connector, black, on engine control unit
V50 - Coolant circulation pump
97 - Earth connection 1, in air conditioning system wiring harness
368 - Earth connection 3, in main wiring harness
640 - Earth point, left in engine compartment
B537 - Connection 28, in main wiring harness
- 4.2 l engine, engine code BAR
- 3,0 l Diesel engine, engine codes BUN, BUG
- relay and fuse carrier centre dash panel

LAUNCH



ws = white sw = black ro = red br = brown gn = green bl = blue
 gr = grey li = purple ge = yellow or = orange rs = pink

Climatronic control unit, defroster flap control motor potentiometer, potentiometer for left footwell flap control motor, defroster flap control motor, air recirculation flap control motor, left footwell flap control motor

G135 - Defroster flap control motor potentiometer

G139 - Potentiometer for left footwell flap control motor

J255 - Climatronic control unit

T20i - 20-pin connector, red, connector B, on Climatronic control unit

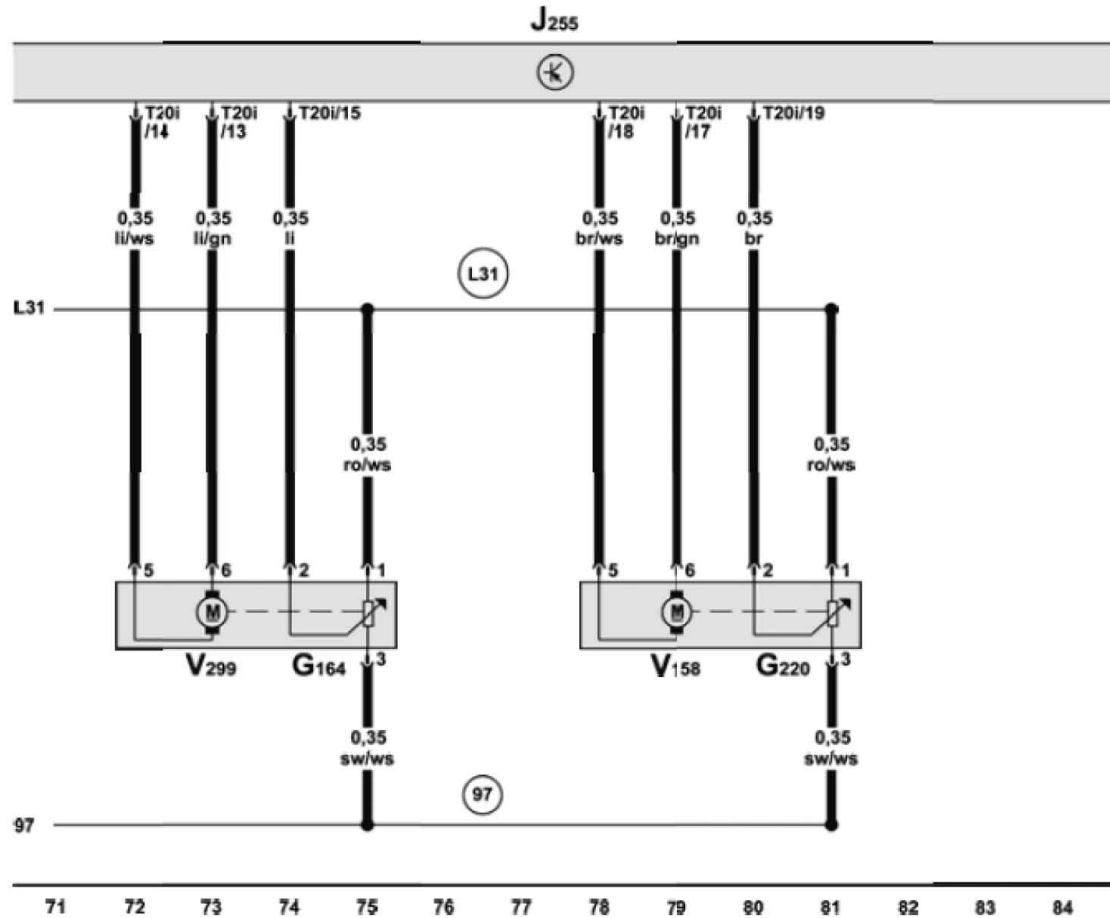
V107 - Defroster flap control motor

V108 - Left footwell flap control motor

V113 - Air recirculation flap control motor

97 - Earth connection 1, in air conditioning system wiring harness

L31 - Connection (5V), in air conditioning system wiring harness



ws = white sw = black ro = red br = brown gn = green bl = blue
 gr = grey li = purple ge = yellow or = orange rs = pink

Climatronic control unit, potentiometer for left side vent control motor, potentiometer for left temperature flap control motor, left temperature flap control motor, left side vent control motor

G164 - Potentiometer for left side vent control motor

G220 - Potentiometer for left temperature flap control motor

J255 - Climatronic control unit

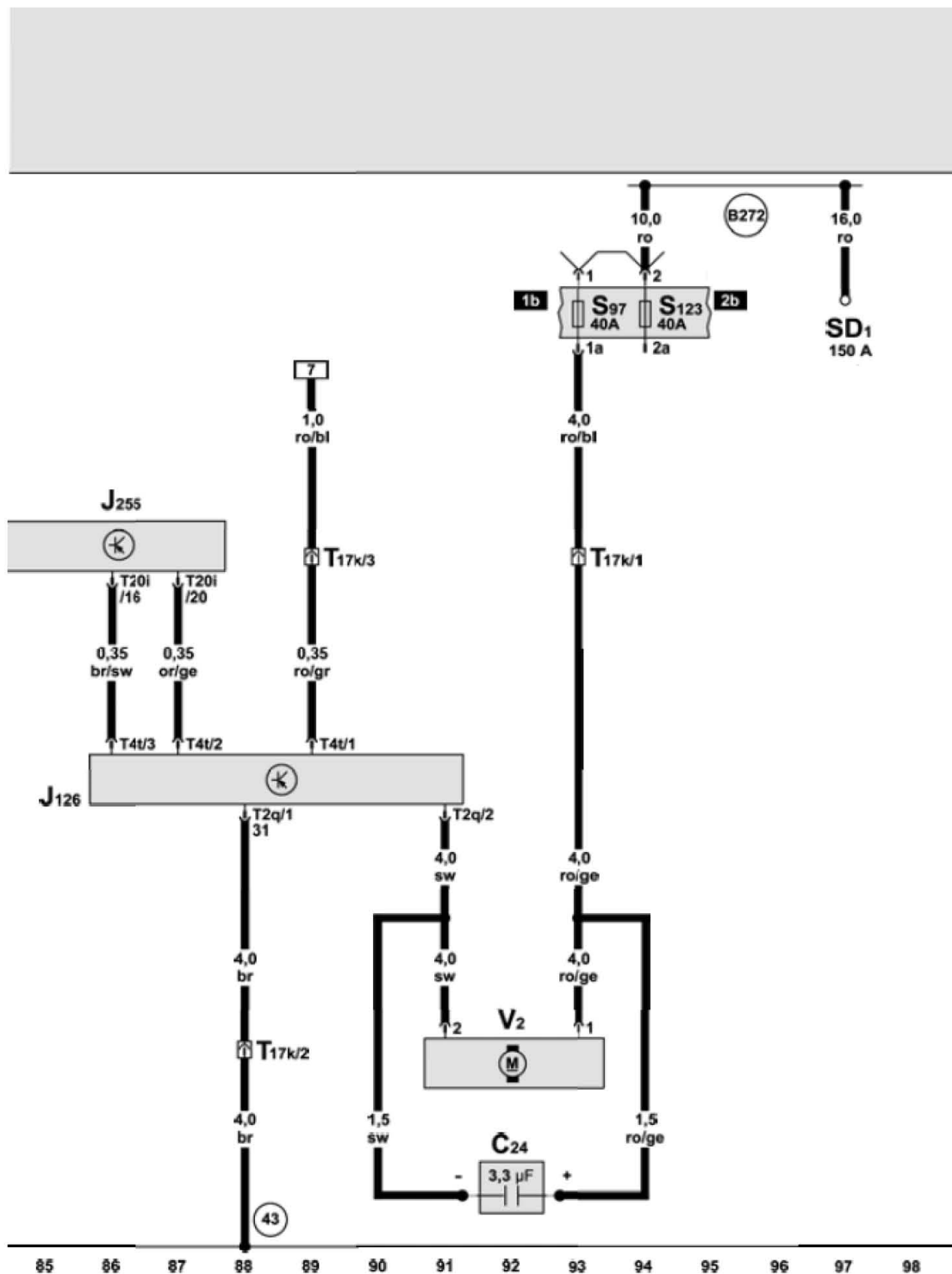
T20i - 20-pin connector, red, connector B, on Climatronic control unit

V158 - Left temperature flap control motor

V299 - Left side vent control motor

97 - Earth connection 1, in air conditioning system wiring harness

L31 - Connection (5V), in air conditioning system wiring harness



ws = white sw = black ro = red br = brown gn = green bl = blue
 gr = grey li = purple ge = yellow or = orange rs = pink

Climatronic control unit, fresh air blower control unit, fresh air blower, fresh air blower fuse 1

C24 - Suppression filter

J126 - Fresh air blower control unit

J255 - Climatronic control unit

S97 - Fresh air blower fuse 1

S123 - ABS control unit fuse 1

SD1 - Fuse 1 on fuse holder D

T2q - 2-pin connector, on fresh air blower control unit

T4t - 4-pin connector, on fresh air blower control unit

T17k - 17-pin connector, black, behind the dash panel, right, air conditioning system

T20i - 20-pin connector, red, connector B, on Climatronic control unit

V2 - Fresh air blower

43 - Earth point, lower part of right A-pillar

B272 - Positive connection (30), in main wiring harness

- relay and fuse carrier centre dash panel

- Relay and fuse carrier under driver seat

LAUNCH