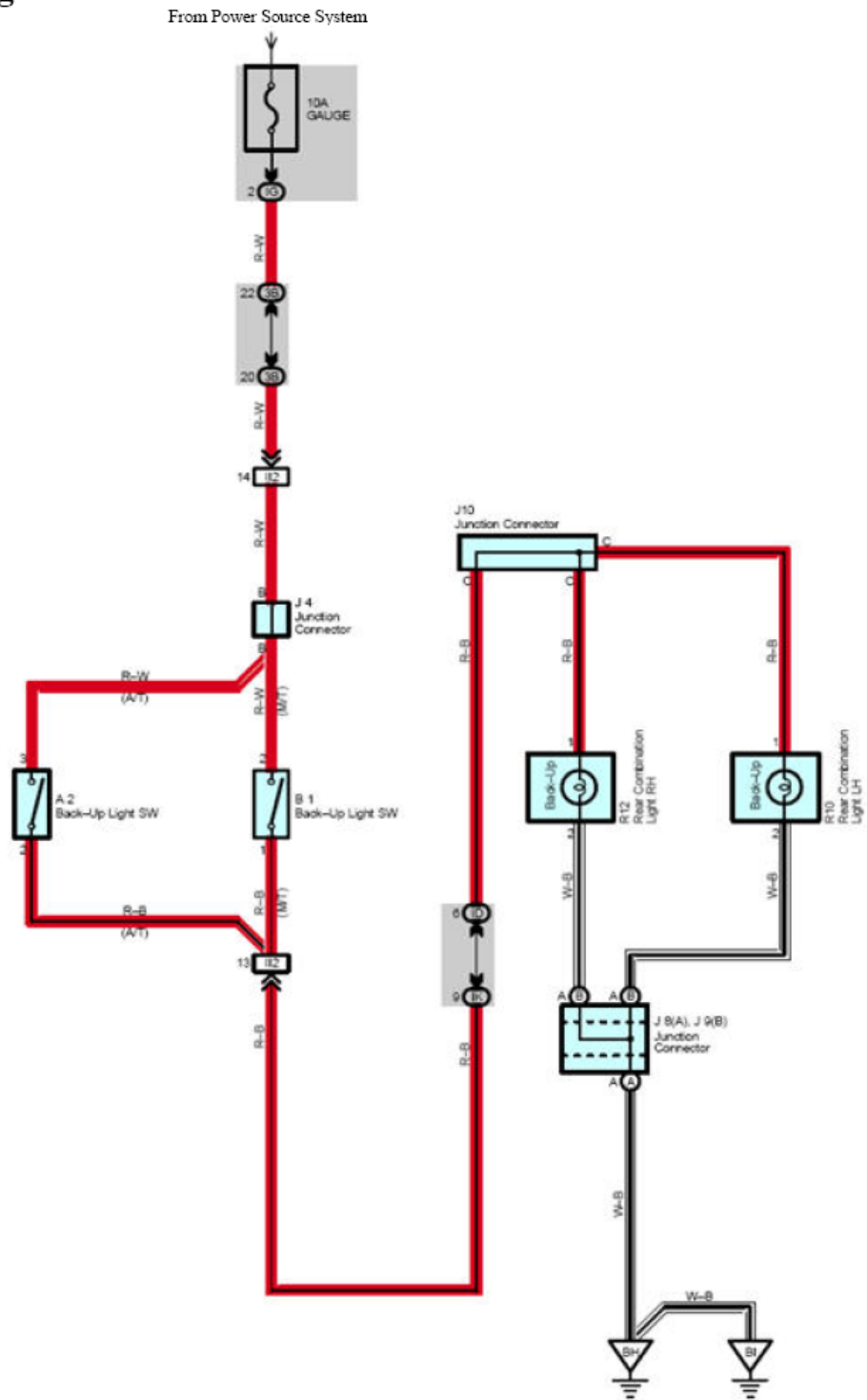


Back-Up Light



Service Hints**A2 Back-Up Light SW (A/T)**

2-3 : Closed with the shift lever at R position

B1 Back-Up Light SW (M/T)

2-1 : Closed with the shift lever at R positio

Junction Block and Wire Harness Connector

Code	Junction Block and Wire Harness (Connector Location)
ID	Floor Wire and Instrument Panel J/B (Lower Finish Panel)
IG	Instrument Panel Wire and Instrument Panel J/B (Lower Finish Panel) Instrument Panel Wire and Instrument Panel J/B (Lower Finish Panel)
IK	
3A	Instrument Panel Wire and RH J/B (Right Side of the Instrument Panel Reinforcement) Instrument Panel Wire and RH J/B (Right Side of the Instrument Panel Reinforcement)
3B_	

Connector Joining Wire Harness and Wire Harness

Code	Joining Wire Harness and Wire Harness (Connector Location)
II2	Engine Wire and Instrument Panel Wire (Blower Unit RH)

Ground Points

Code	Ground Points Location
BH	Under the Left Quarter Pillar
BI	Lower Back Panel

LAUNCH