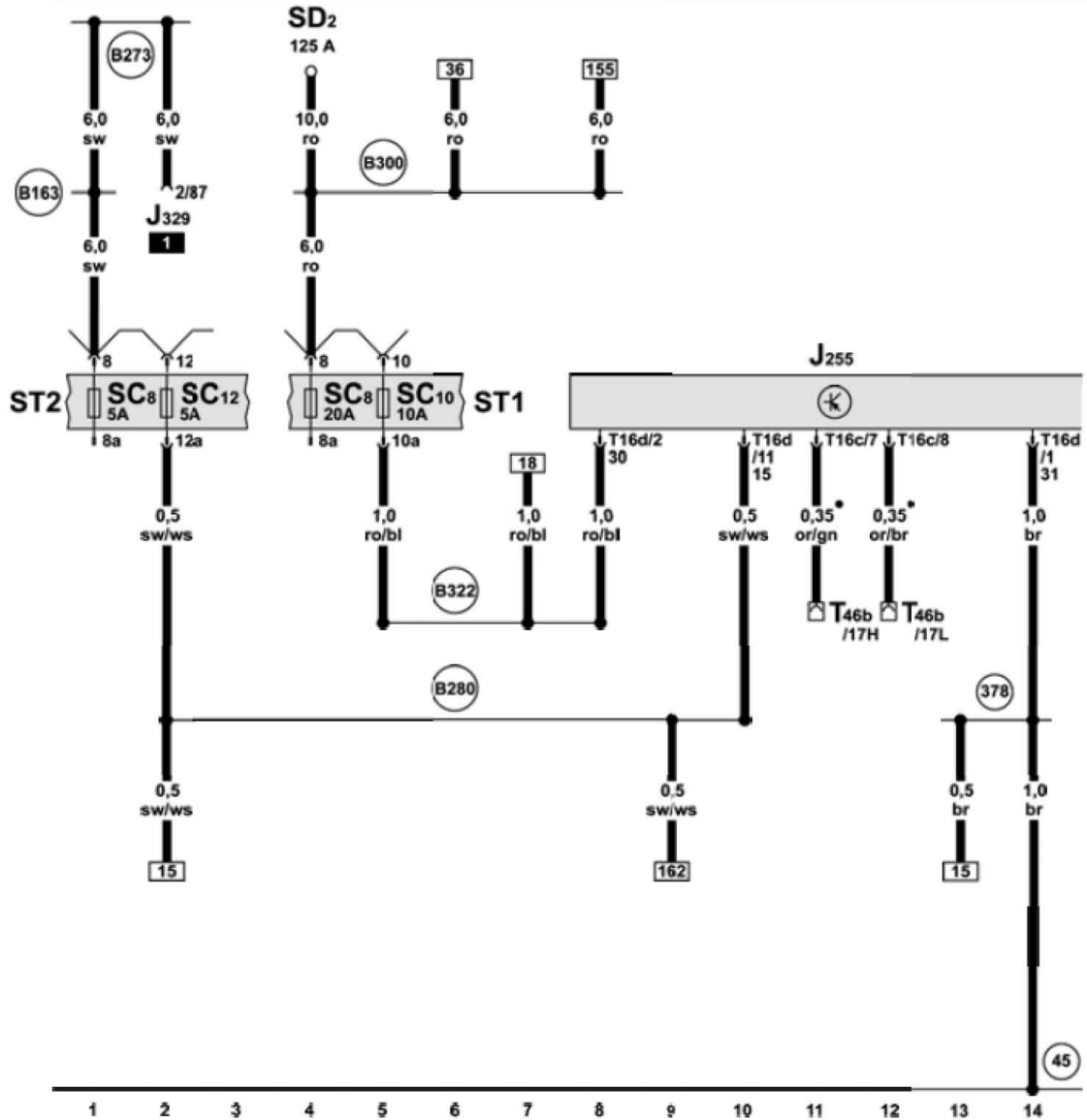


Convenience air conditioning system



ws = white sw = black ro = red br = brown gn = green bl = blue
 gr = grey li = purple ge = yellow or = orange rs = pink

Climatronic control unit, fuses

J255 - Climatronic control unit

J329 - Terminal 15 voltage supply relay

SC8 - Fuse 8 on fuse holder C

SC10 - Fuse 10 on fuse holder C

SC12 - Fuse 12 on fuse holder C

SD2 - Fuse 2 on fuse holder D

T16c - 16-pin connector, brown, connector C, on Climatronic control unit

T16d - 16-pin connector, black, connector D, on Climatronic control unit

T46b - 46-pin connector, black, CAN separating connector right

45 - Earth point, centre behind dash panel

378 - Earth connection 13, in main wiring harness

B163 - Positive connection 1 (15), in interior wiring harness

B273 - Positive connection (15), in main wiring harness

B280 - Positive connection 4 (15a), in main wiring harness

B300 - Positive connection 4 (30), in main wiring harness

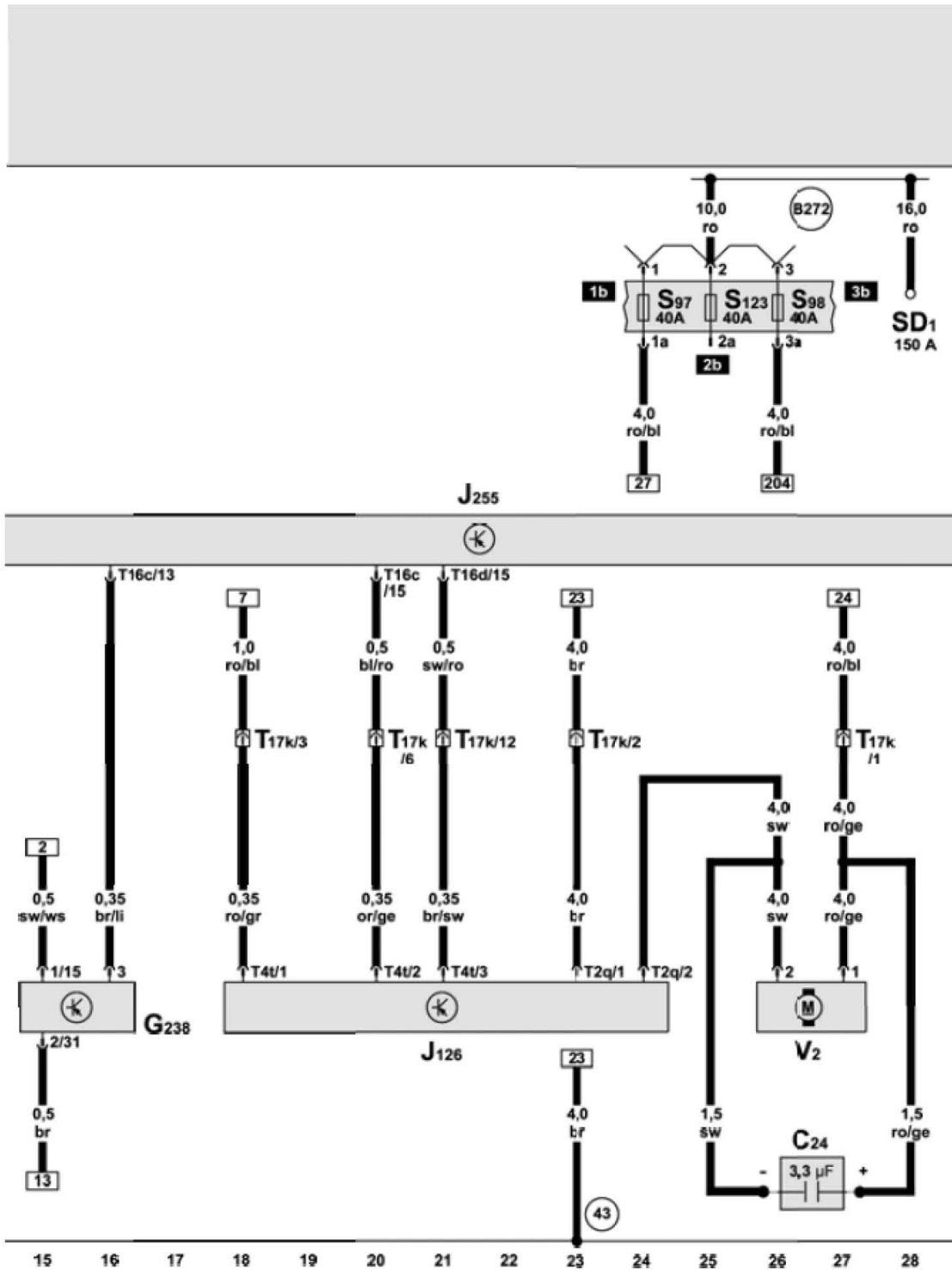
B322 - Positive connection 8 (30a), in main wiring harness

- CAN bus (data wire)

- only with operating and display unit for rear Climatronic

- Fuse and relay carrier under driver seat

LAUNCH



ws = white sw = black ro = red br = brown gn = green bl = blue
 gr = grey li = purple ge = yellow or = orange rs = pink

Climatronic control unit, air quality sensor, fresh air blower control unit, fresh air blower, fresh air blower fuse 1 and 2

C24 - Suppression filter

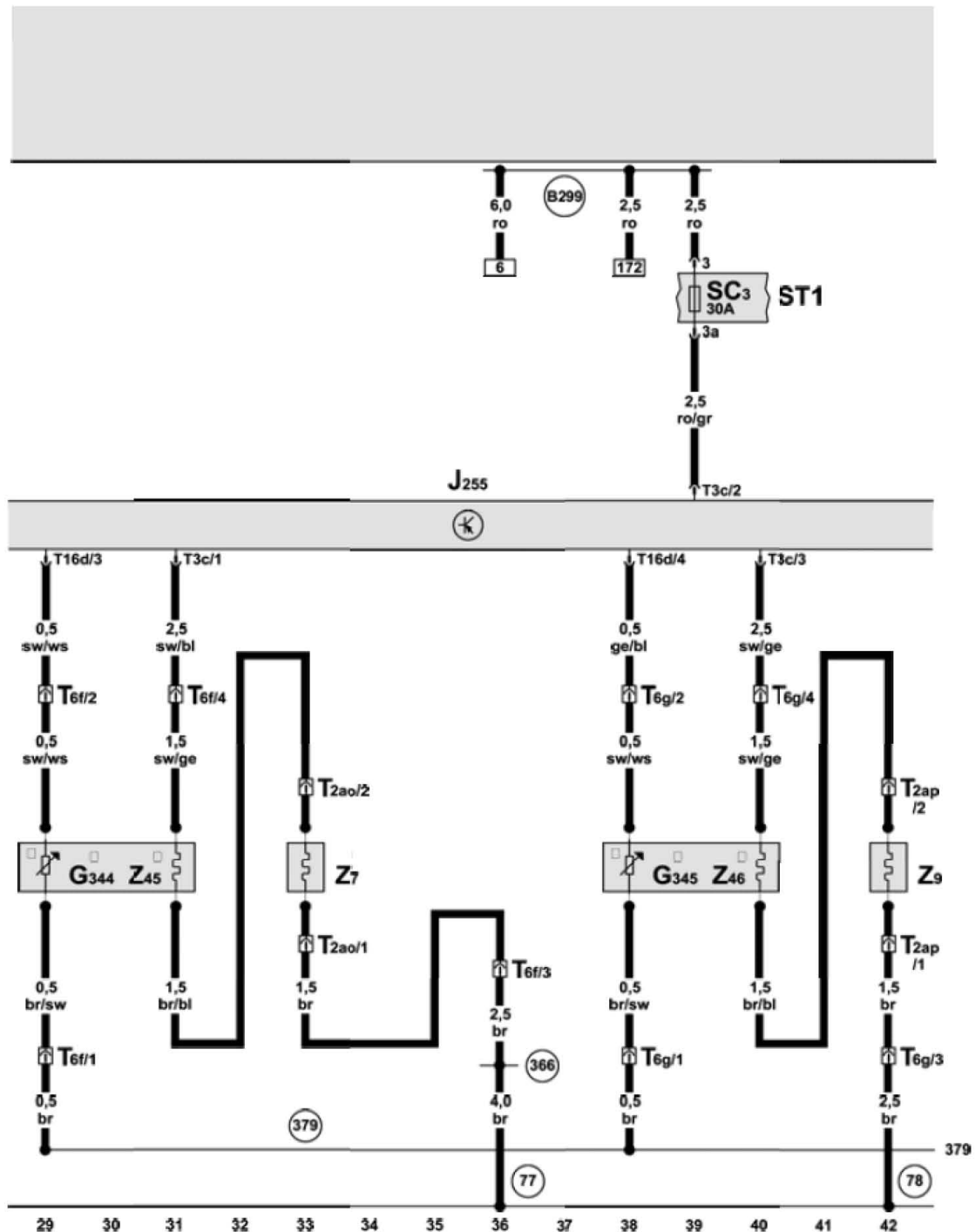
G238 - Air quality sensor

J126 - Fresh air blower control unit

J255 - Climatronic control unit

- S97 - Fresh air blower fuse 1
- S98 - Fresh air blower fuse 2
- S123 - ABS control unit fuse 1
- SD1 - Fuse 1 on fuse holder D
- T2q - 2-pin connector, on fresh air blower control unit
- T4t - 4-pin connector, on fresh air blower control unit
- T16c - 16-pin connector, brown, connector C, on Climatronic control unit
- T16d - 16-pin connector, black, connector D, on Climatronic control unit
- T17k - 17-pin connector, black, behind the dash panel, right, air conditioning system
- V2 - Fresh air blower
- 43 - Earth point, lower part of right A-pillar
- B272 - Positive connection (30), in main wiring harness
 - relay and fuse carrier centre dash panel
 - Relay and fuse carrier under driver seat

LAUNCH



ws = white sw = black ro = red br = brown gn = green bl = blue
 gr = grey li = purple ge = yellow or = orange rs = pink

Climatronic control unit, front seat temperature sender, front seat heating

G344 - Front left seat temperature sender

G345 - Front right seat temperature sender

J255 - Climatronic control unit

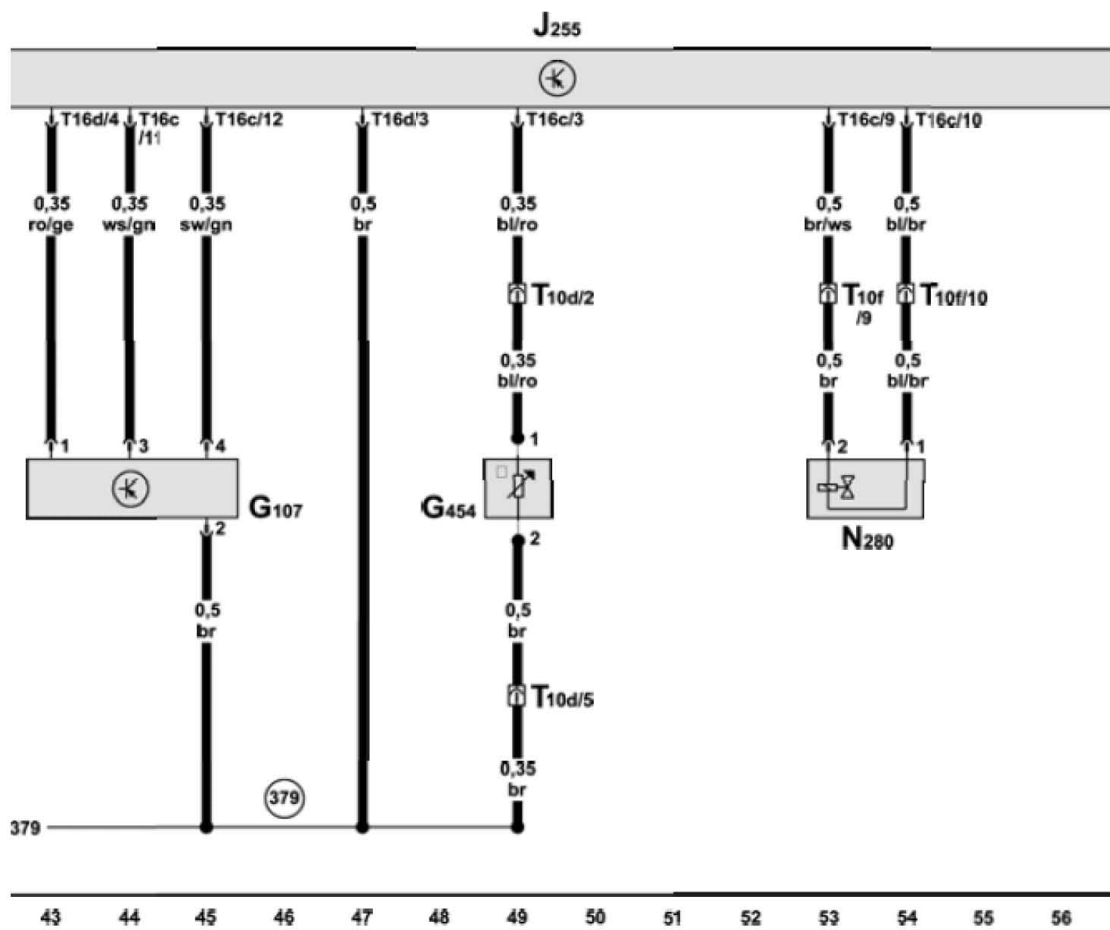
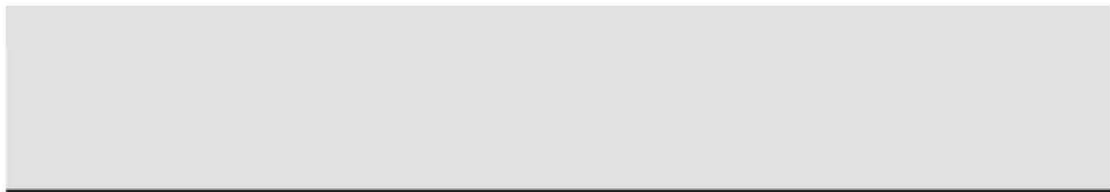
SC3 - Fuse 3 on fuse holder C

T2ao - 2-pin connector, black, under the seat on front left

T2ap - 2-pin connector, black, under the seat on front right

T3c - 3-pin connector, black, connector E, on Climatronic control unit

- T6f - 6-pin connector, green, under driver seat
- T6g - 6-pin connector, green, under front passenger seat
- T16d - 16-pin connector, black, connector D, on Climatronic control unit
- Z7 - Heated driver seat backrest
- Z9 - Heated front passenger seat backrest
- Z45 - Front left seat heating
- Z46 - Front right seat heating
- 77 - Earth point, lower part of left B-pillar
- 78 - Earth point, lower part of right B-pillar
- 366 - Earth connection 1, in main wiring harness
- 379 - Earth connection 14, in main wiring harness
- B299 - Positive connection 3 (30), in main wiring harness
 - models with seat heating



ws = white sw = black ro = red br = brown gn = green bl = blue
gr = grey li = purple ge = yellow or = orange rs = pink

Climatronic control unit, sunlight penetration photosensor, refrigerant temperature sender, compressor regulating valve, air conditioning system compressor regulating valve

G107 - Sunlight penetration photosensor

G454 - Refrigerant temperature sender

J255 - Climatronic control unit

N280 - Air conditioning system compressor regulating valve

T10d - 10-pin connector, blue, coupling station on electronics box, plenum chamber

T10f - 10-pin connector, red, coupling station on electronics box, plenum chamber

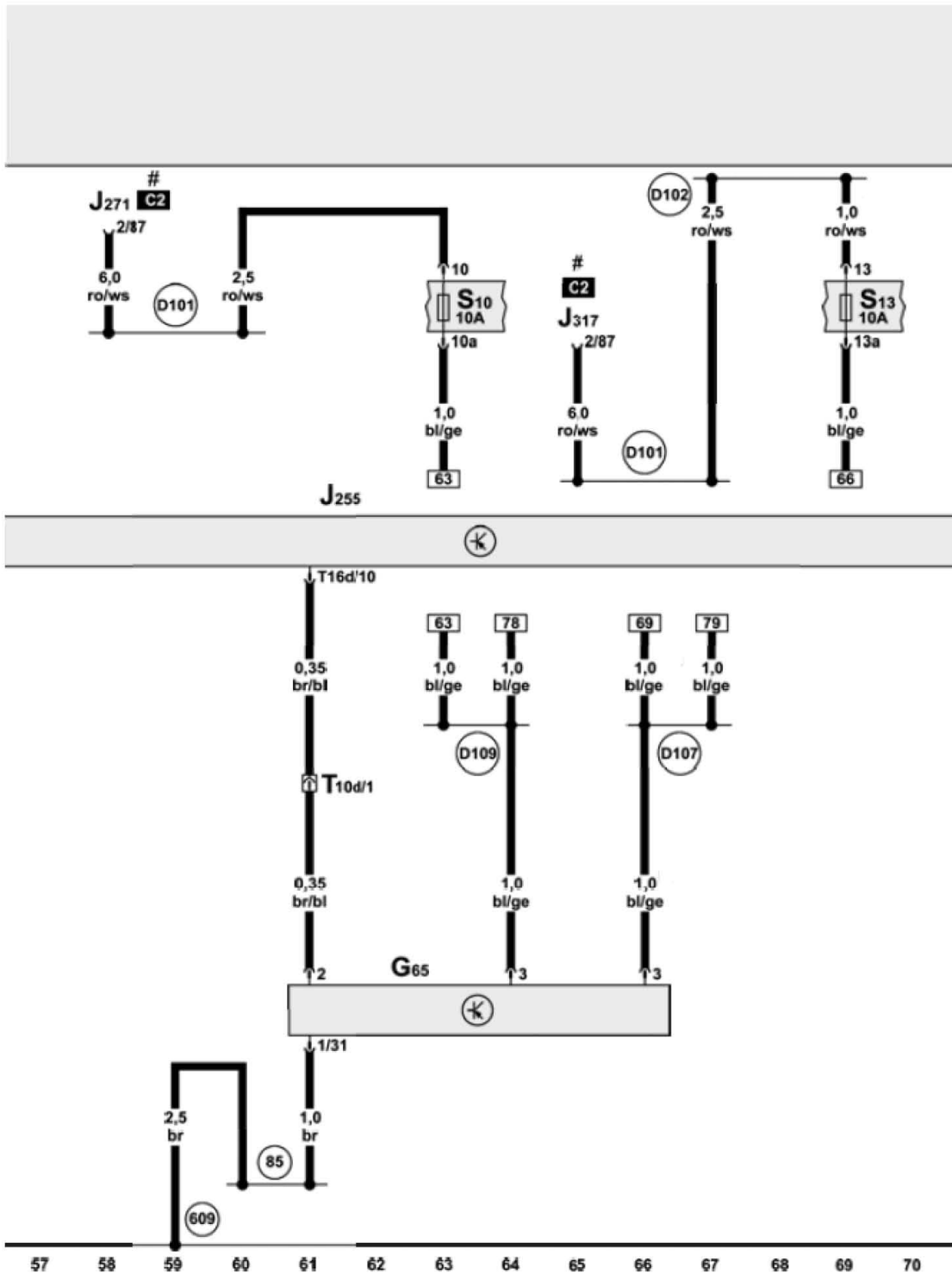
T16c - 16-pin connector, brown, connector C, on Climatronic control unit

T16d - 16-pin connector, black, connector D, on Climatronic control unit

379 - Earth connection 14, in main wiring harness

- Output sender earth

LAUNCH



ws = white sw = black ro = red br = brown gn = green bl = blue
 gr = grey li = purple ge = yellow or = orange rs = pink

Climatronic control unit, high pressure sender

G65 - High pressure sender

J255 - Climatronic control unit

J271 - Motronic current supply relay

J317 - Terminal 30 voltage supply relay

S10 - Fuses in relay plate fuse holder

- S13 - Fuses in relay plate fuse holder
- T10d - 10-pin connector, blue, coupling station on electronics box, plenum chamber
- T16d - 16-pin connector, black, connector D, on Climatronic control unit
- 85 - Earth connection 1, in engine compartment wiring harness
- 609 - Earth point, on right in plenum chamber
- D101 - Connection 1, in engine compartment wiring harness
- D102 - Connection 2, in engine compartment wiring harness
- D107 - Connection 5, in engine compartment wiring harness
- D109 - Connection 7, in engine compartment wiring harness
 - 4.2 l engine, engine code BAR
 - 3,0 l Diesel engine, engine codes BUN, BUG
 - Relay and fuse carrier, electronics box plenum chamber

LAUNCH