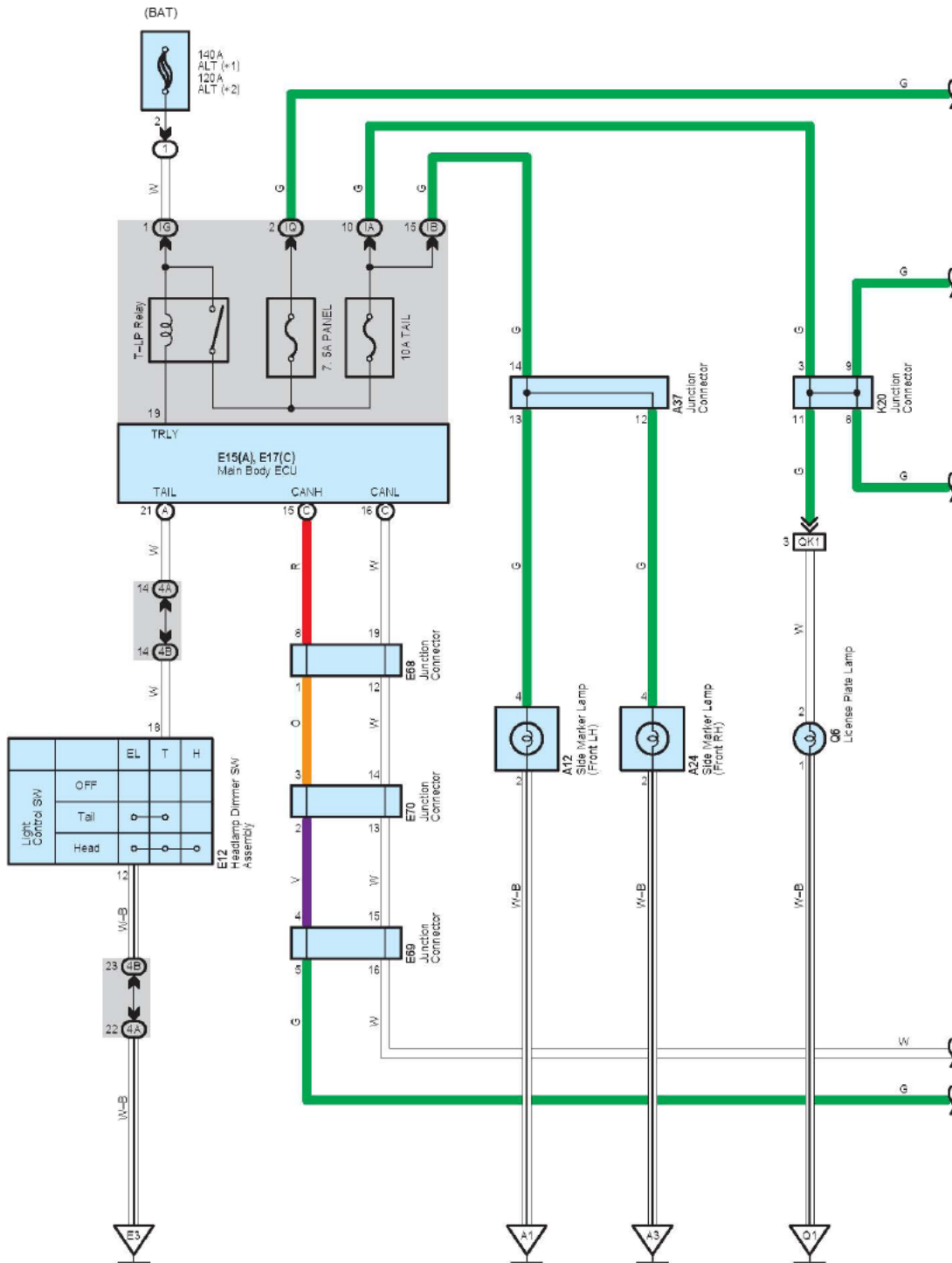
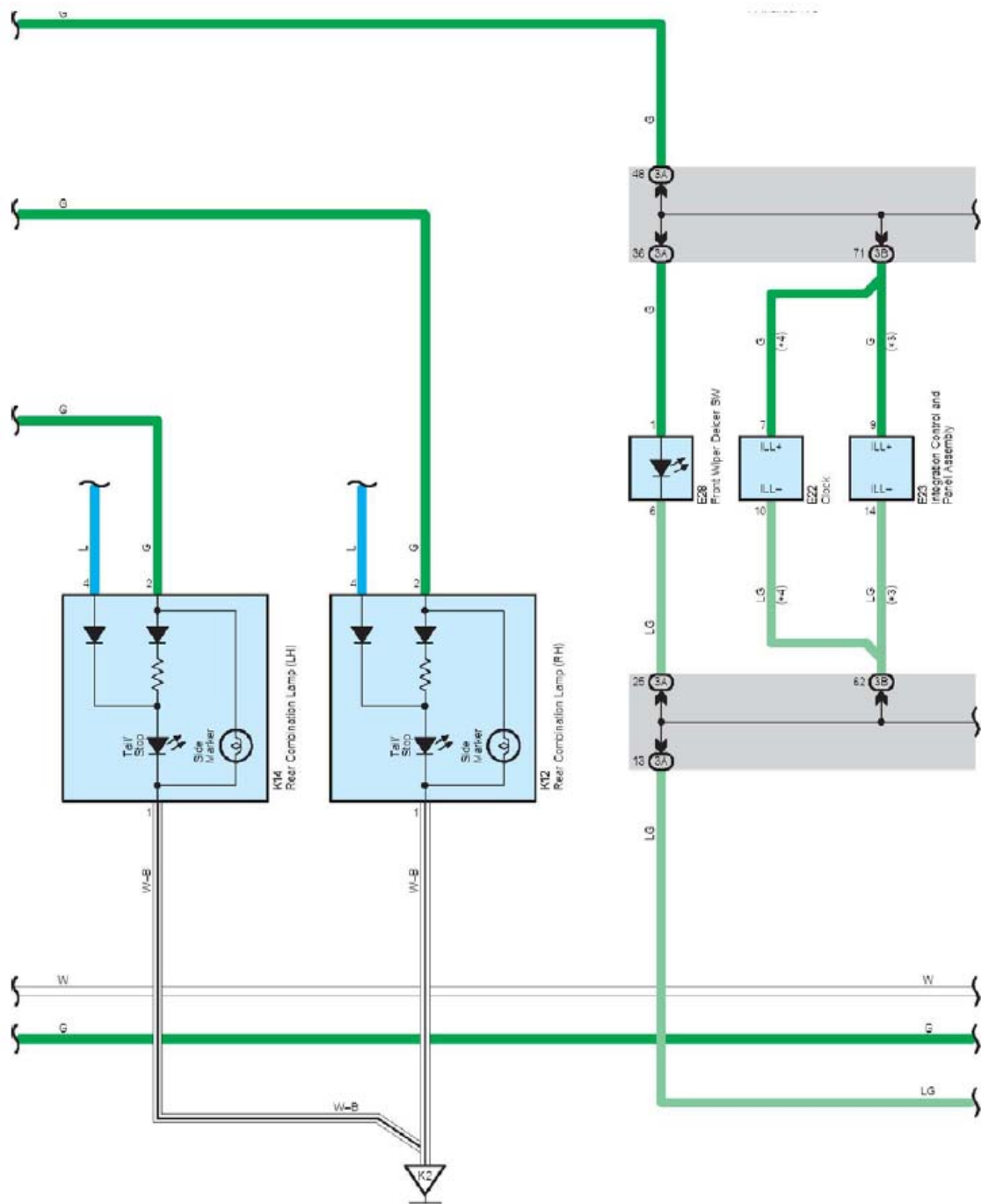
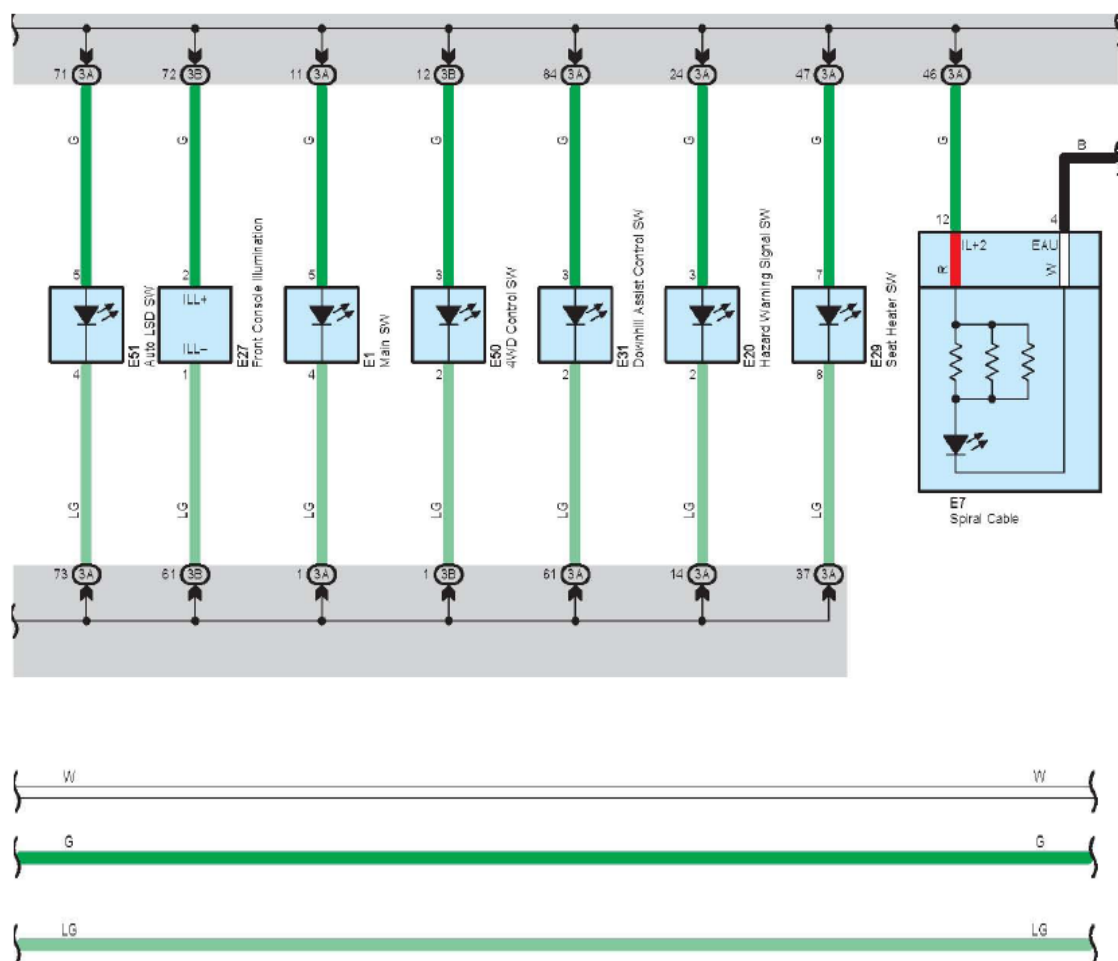
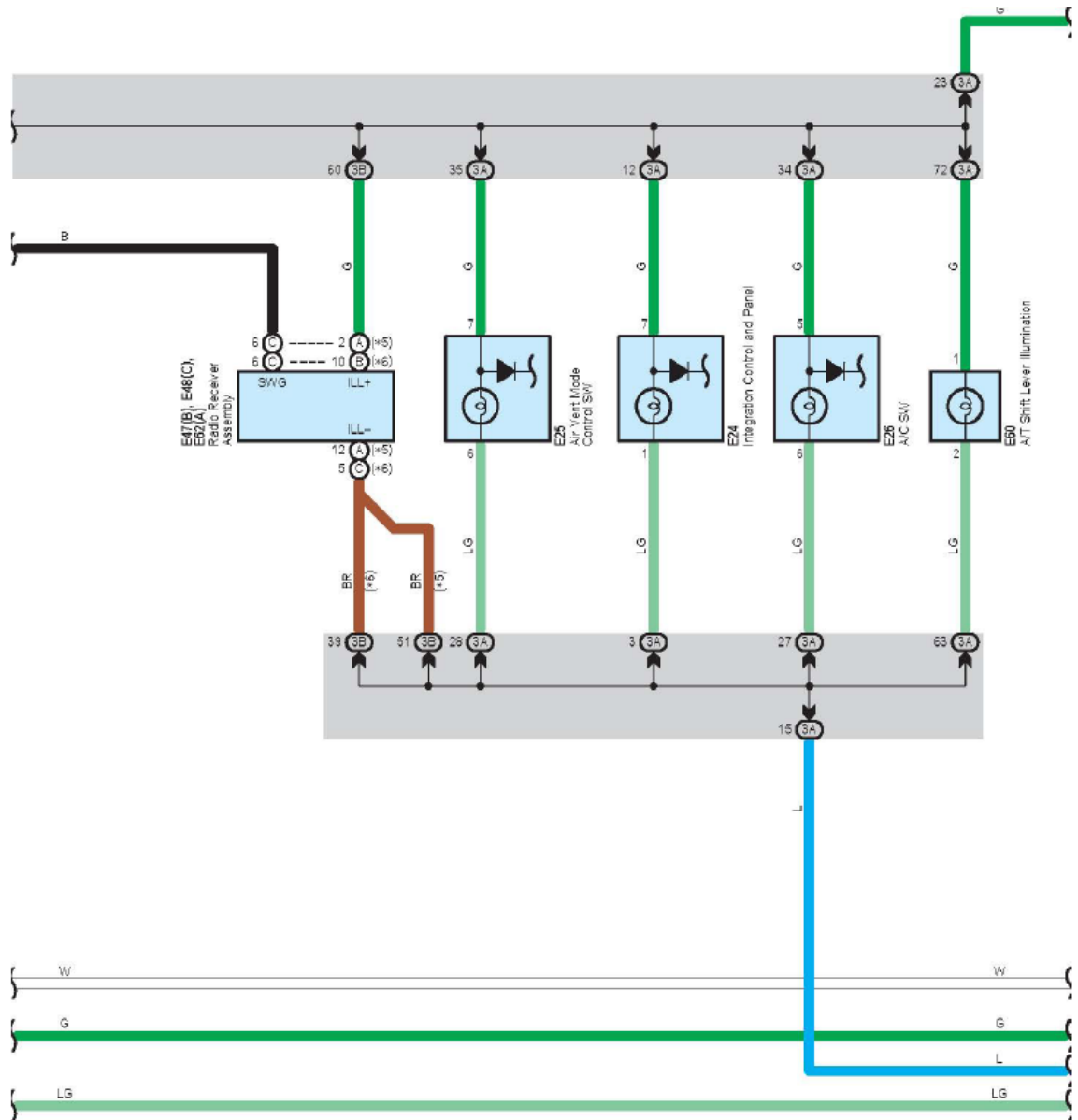


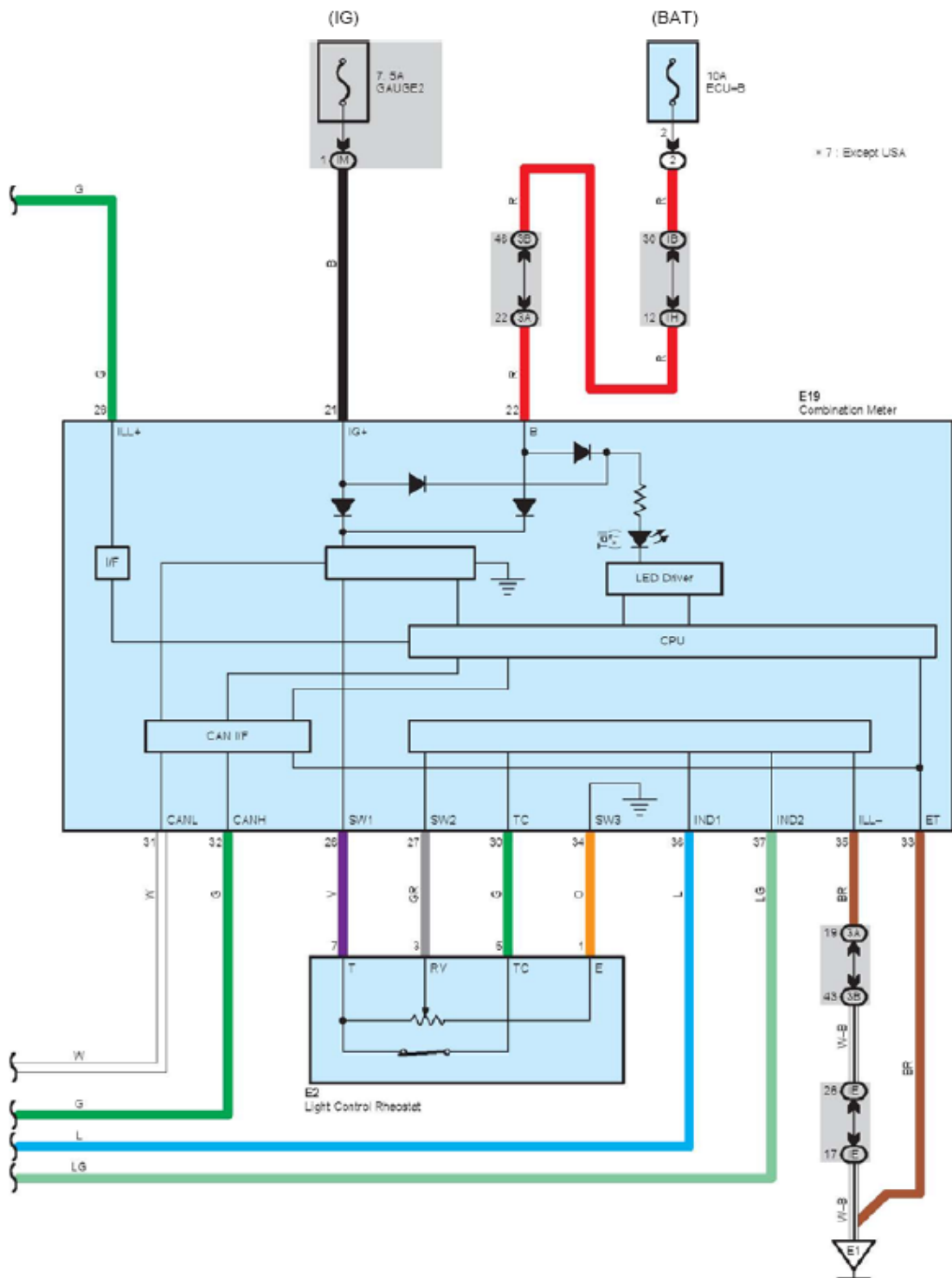
### Taillight and Illumination











\* 7 : Except USA

E19  
Combination Meter

E2  
Light Control Rheostat

### Relay Blocks

Code	Relay Blocks (Relay Block Location)
1	Engine Room R/B No.1 (Engine Compartment Left)Engine Room R/B No.1 (Engine Compartment Left)
2	Engine Room R/B No.2 (Engine Compartment Right)Engine Room R/B No.2 (Engine Compartment Right)

### Junction Block and Wire Harness Connector

Code	Junction Block and Wire Harness (Connector Location)
3A	Instrument Panel Wire and J/B No.3 (Instrument Panel Center)Instrument Panel Wire and J/B No.3 (Instrument Panel Center)
3B _	
4A	Instrument Panel Wire and J/B No.4 (Instrument Panel Center)Instrument Panel Wire and J/B No.4 (Instrument Panel Center)
4B _	
IA	Floor Wire and Instrument Panel J/B (Cowl Side Left)
IB	Engine Room Main Wire and Instrument Panel J/B (Cowl Side Left)
IE	Instrument Panel Wire and Instrument Panel J/B (Cowl Side Left)
IG	Engine Room Main Wire and Instrument Panel J/B (Cowl Side Left)
IH	Instrument Panel Wire and Instrument Panel J/B (Cowl Side Left)Instrument Panel Wire and Instrument Panel J/B (Cowl Side Left)
IM	
IQ _	

### Connector Joining Wire Harness and Wire Harness

Code	Joining Wire Harness and Wire Harness (Connector Location)
QK1	Back Door No.1 Wire and Floor Wire (Right Rear Quarter Panel)

### Ground Points

Code	Ground Points Location
A1	Front Left Fender
A3	Front Right FenderFront Right Fender
E1	Left Kick Panel
E3	Instrument Panel Reinforcement Center
K2	Left Quarter Panel
Q1	Left Side of the Back Door