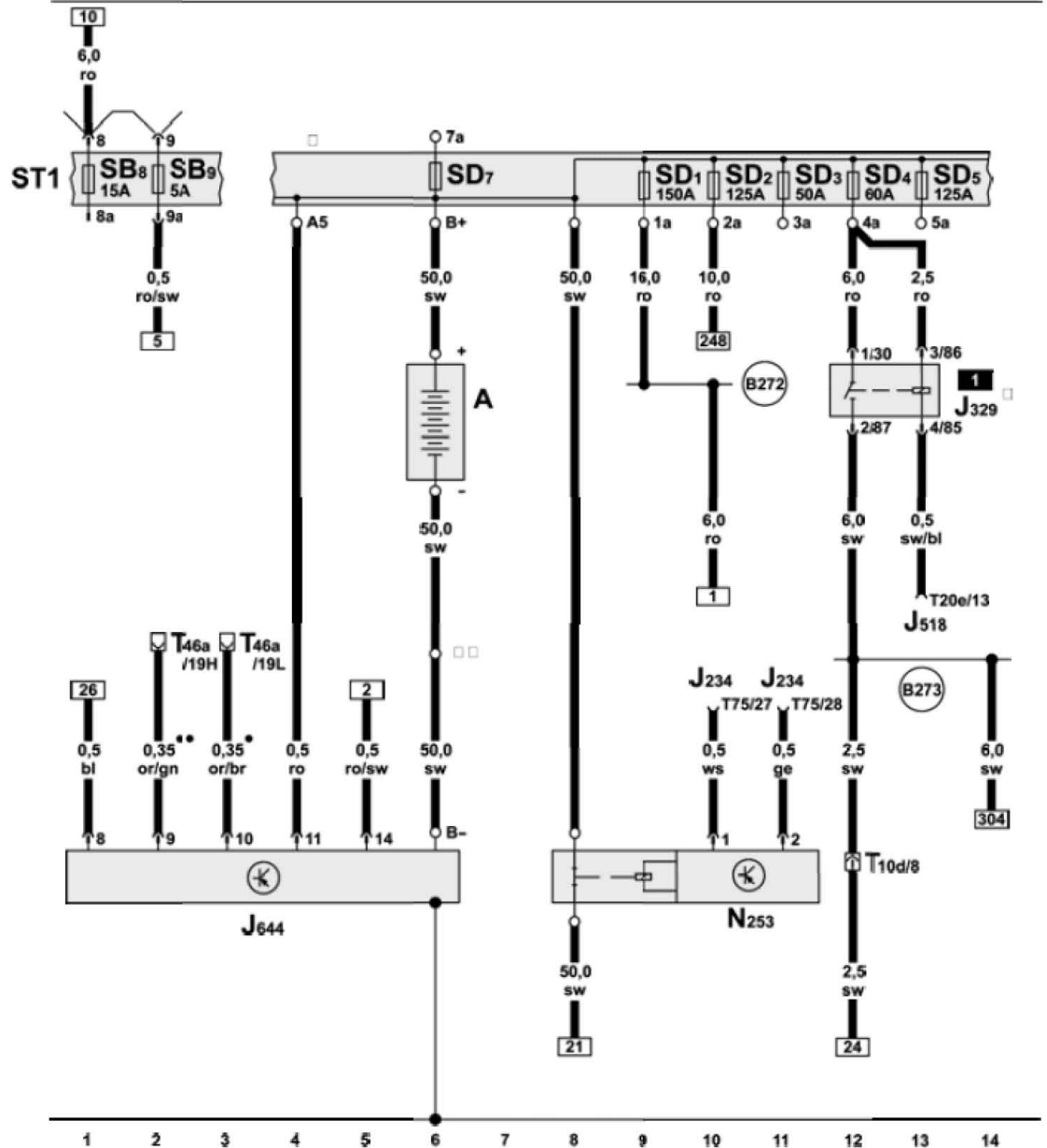


4.2 I Fuel injection engine



ws = white sw = black ro = red br = brown gn = green bl = blue
gr = grey li = purple ge = yellow or = orange rs = pink

Battery, terminal 15 voltage supply relay, energy management control unit, battery isolation igniter, fuses

A - Battery

J234 - Airbag control unit

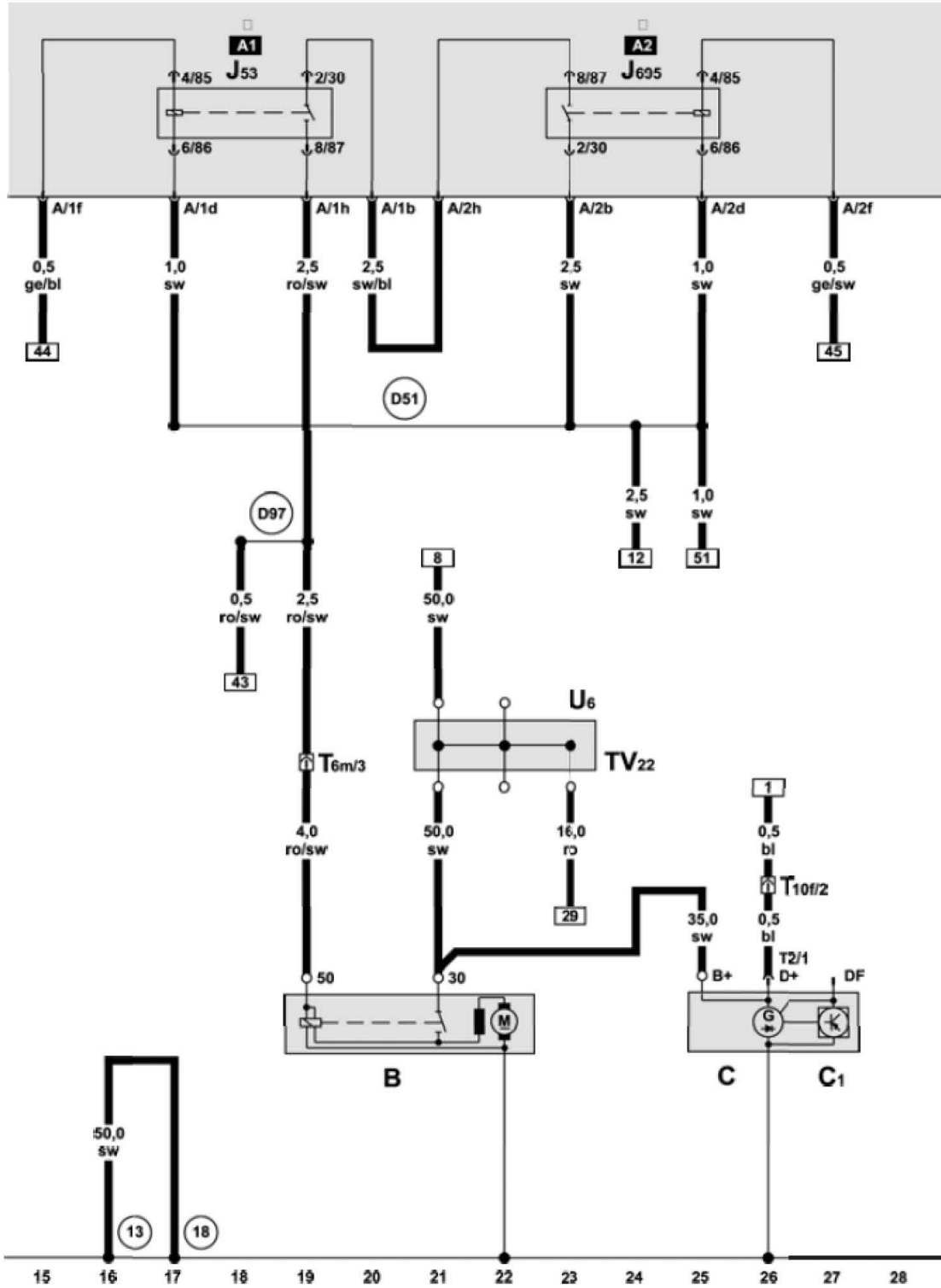
J329 - Terminal 15 voltage supply relay

J518 - Entry and start authorisation control unit

J644 - Energy management control unit

- N253 - Battery isolation igniter
- SB8 - Fuse 8 on fuse holder B
- SB9 - Fuse 9 on fuse holder B
- SD1 - Fuse 1 on fuse holder D
- SD2 - Fuse 2 on fuse holder D
- SD3 - Fuse 3 on fuse holder D
- SD4 - Fuse 4 on fuse holder D
- SD5 - Fuse 5 on fuse holder D
- SD7 - Fuse 7 on fuse holder D
- T10d - 10-pin connector, blue, coupling station on electronics box, plenum chamber
- T20e - 20-pin connector, black, on entry and start authorization control unit
- T46a - 46-pin connector, black, CAN separating connector left
- T75 - 75-pin connector, grey, on airbag control unit (USA: white)
- B272 - Positive connection (30), in main wiring harness
- B273 - Positive connection (15), in main wiring harness
 - CAN bus (data wire)
 - Relay and fuse carrier under driver seat
 - screw connection (31) battery wire before driver seat

LAUNCH



ws = white sw = black ro = red br = brown gn = green bl = blue
 gr = grey li = purple ge = yellow or = orange rs = pink

Starter, alternator, starter motor relay, starter motor relay 2, slavestart socket

B - Starter

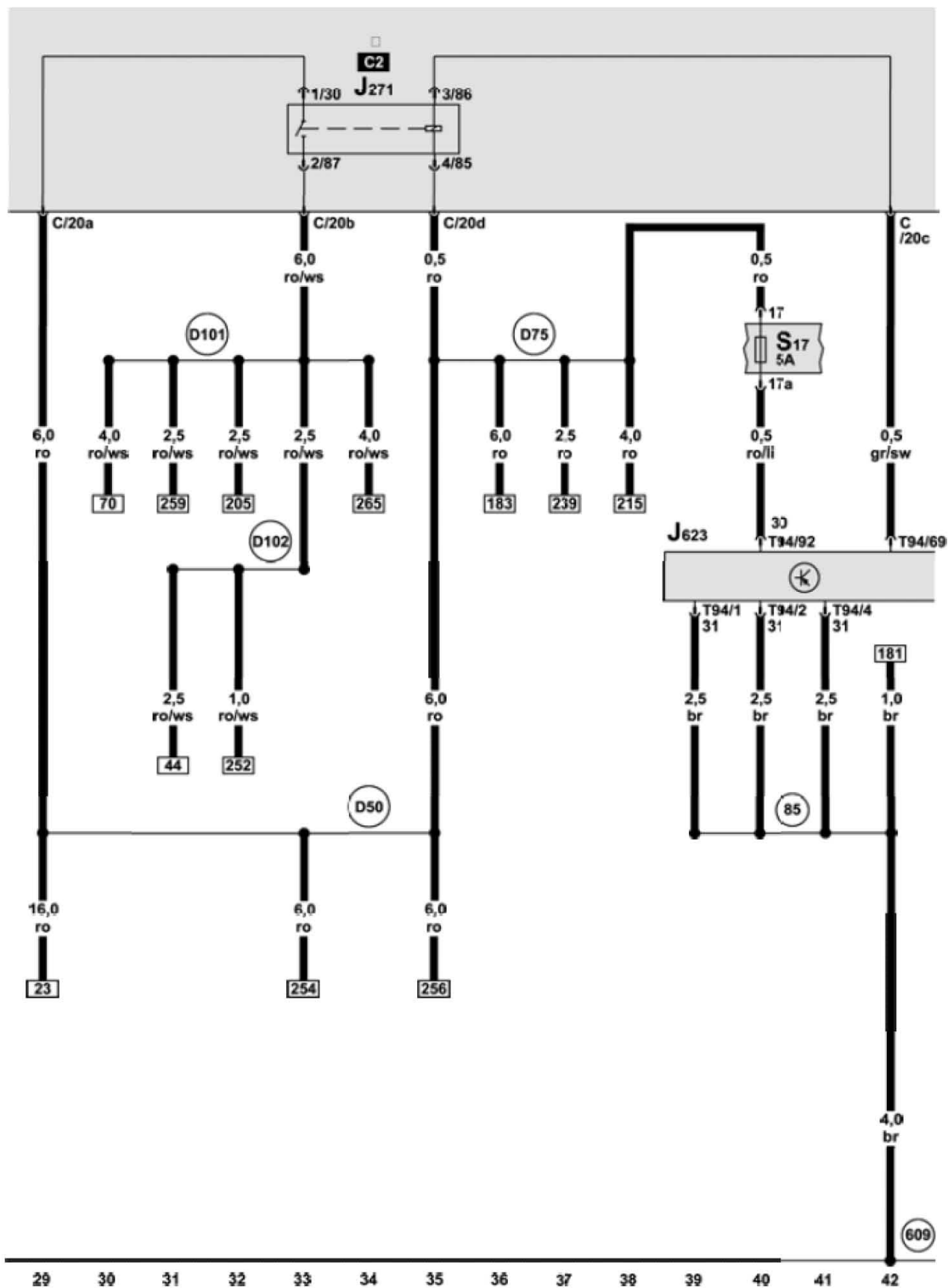
C - Alternator

C1 - Voltage regulator

J53 - Starter motor relay

- J695 - Starter motor relay 2
- T2 - 2-pin connector, black, on alternator
- T6m - 6-pin connector, white, coupling station on electronics box, plenum chamber
- T10f - 10-pin connector, red, coupling station on electronics box, plenum chamber
- TV22 - Terminal 30 wiring junction 2
- U6 - Slave start socket
- 13 - Earth point, on right in engine compartment
- 18 - Earth point on engine block
- D51 - Positive connection 1 (15), in engine compartment wiring harness
- D97 - Connection (50), in engine compartment wiring harness
 - Relay and fuse carrier, electronics box plenum chamber

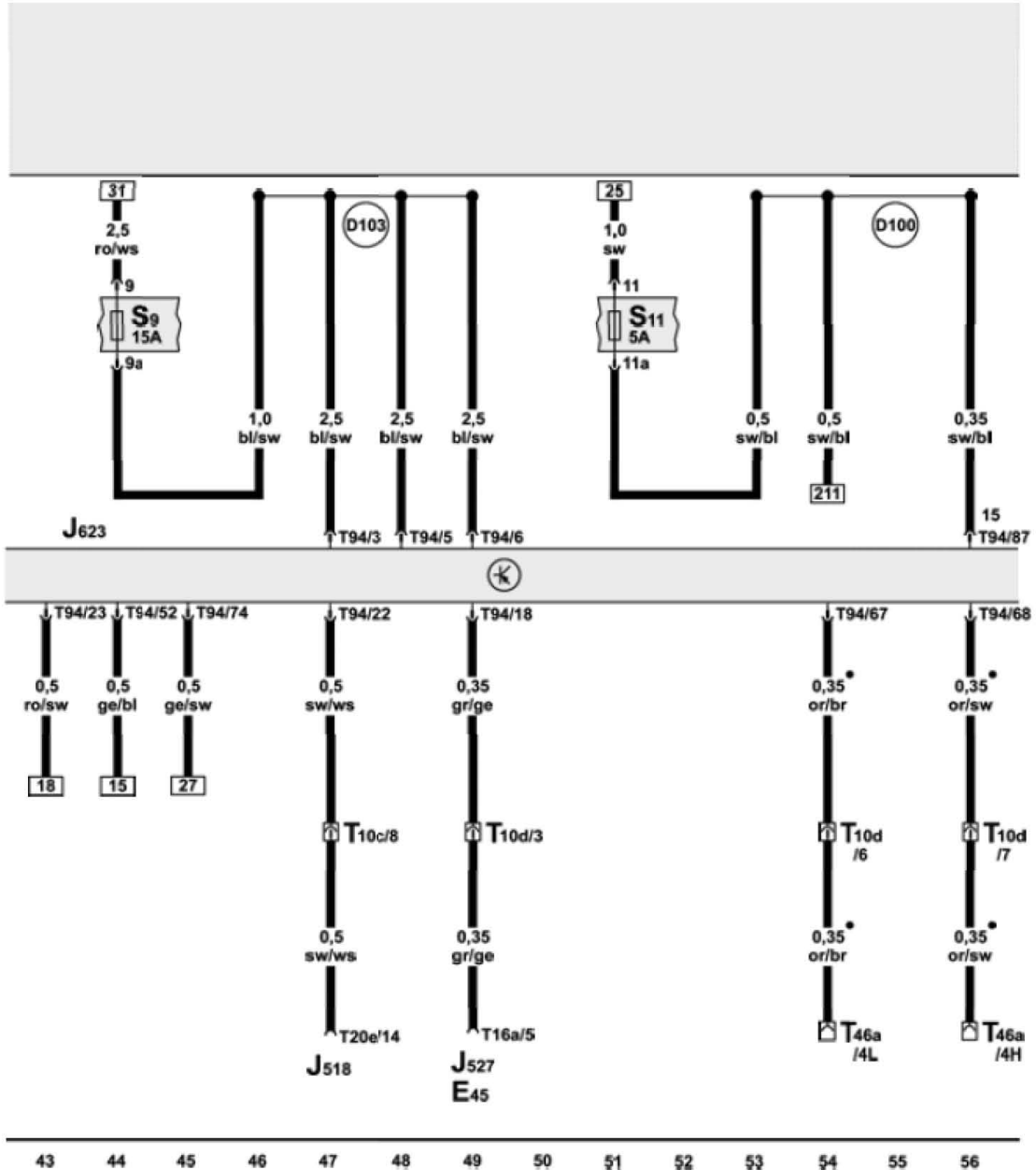
LAUNCH



ws = white sw = black ro = red br = brown gn = green bl = blue
 gr = grey li = purple ge = yellow or = orange rs = pink

Engine control unit, Motronic current supply relay
 J271 - Motronic current supply relay
 J623 - Engine control unit
 S17 - Fuses in relay plate fuse holder
 T94 - 94-pin connector, black, on engine control unit

- 85 - Earth connection 1, in engine compartment wiring harness
- 609 - Earth point, on right in plenum chamber
- D50 - Positive connection (30), in engine compartment wiring harness
- D75 - Positive connection 2 (30), in engine compartment wiring harness
- D101 - Connection 1, in engine compartment wiring harness
- D102 - Connection 2, in engine compartment wiring harness
 - Relay and fuse carrier, electronics box plenum chamber



ws = white sw = black ro = red br = brown gn = green bl = blue
 gr = grey li = purple ge = yellow or = orange rs = pink

Engine control unit

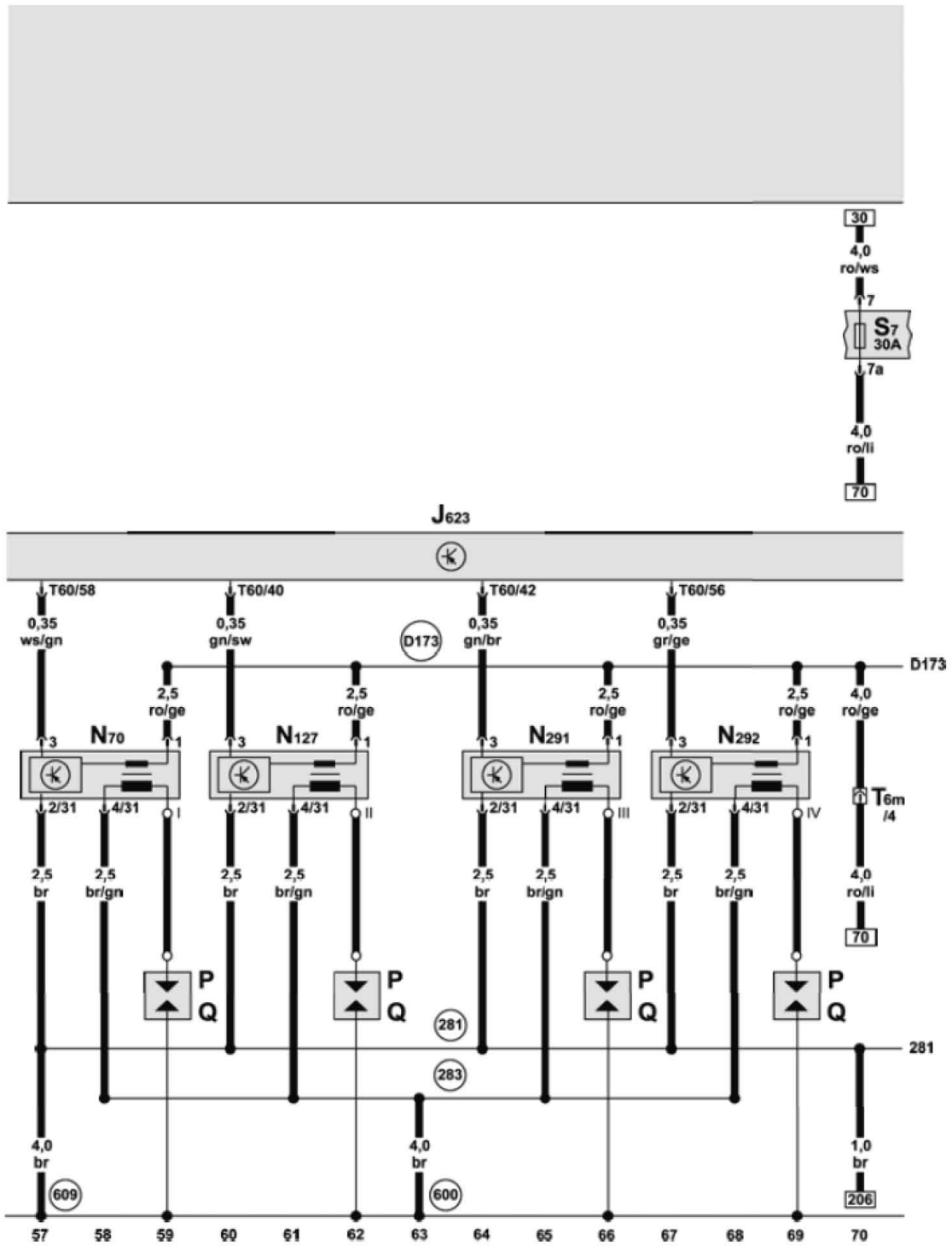
E45 - Cruise control system switch

J518 - Entry and start authorisation control unit

J527 - Steering column electronics control unit

- J623 - Engine control unit
- S9 - Fuses in relay plate fuse holder
- S11 - Fuses in relay plate fuse holder
- T10c - 10-pin connector, pink, coupling station on electronics box, plenum chamber
- T10d - 10-pin connector, blue, coupling station on electronics box, plenum chamber
- T16a - 16-pin connector, on steering column electronics control unit
- T20e - 20-pin connector, black, on entry and start authorization control unit
- T46a - 46-pin connector, black, CAN separating connector left
- T94 - 94-pin connector, black, on engine control unit
- D100 - Positive connection 2 (15), in engine compartment wiring harness
- D103 - Connection 3, in engine compartment wiring harness
 - CAN bus (data wire)

LAUNCH



ws = white sw = black ro = red br = brown gn = green bl = blue
 gr = grey li = purple ge = yellow or = orange rs = pink

Engine control unit, ignition coil 1 - 4 with output stage

J623 - Engine control unit

N70 - Ignition coil 1 with output stage

N127 - Ignition coil 2 with output stage

N291 - Ignition coil 3 with output stage

N292 - Ignition coil 4 with output stage

P - Spark plug connector

Q - Spark plugs

S7 - Fuses in relay plate fuse holder

T6m - 6-pin connector, white, coupling station on electronics box, plenum chamber

T60 - 60-pin connector, black, on engine control unit

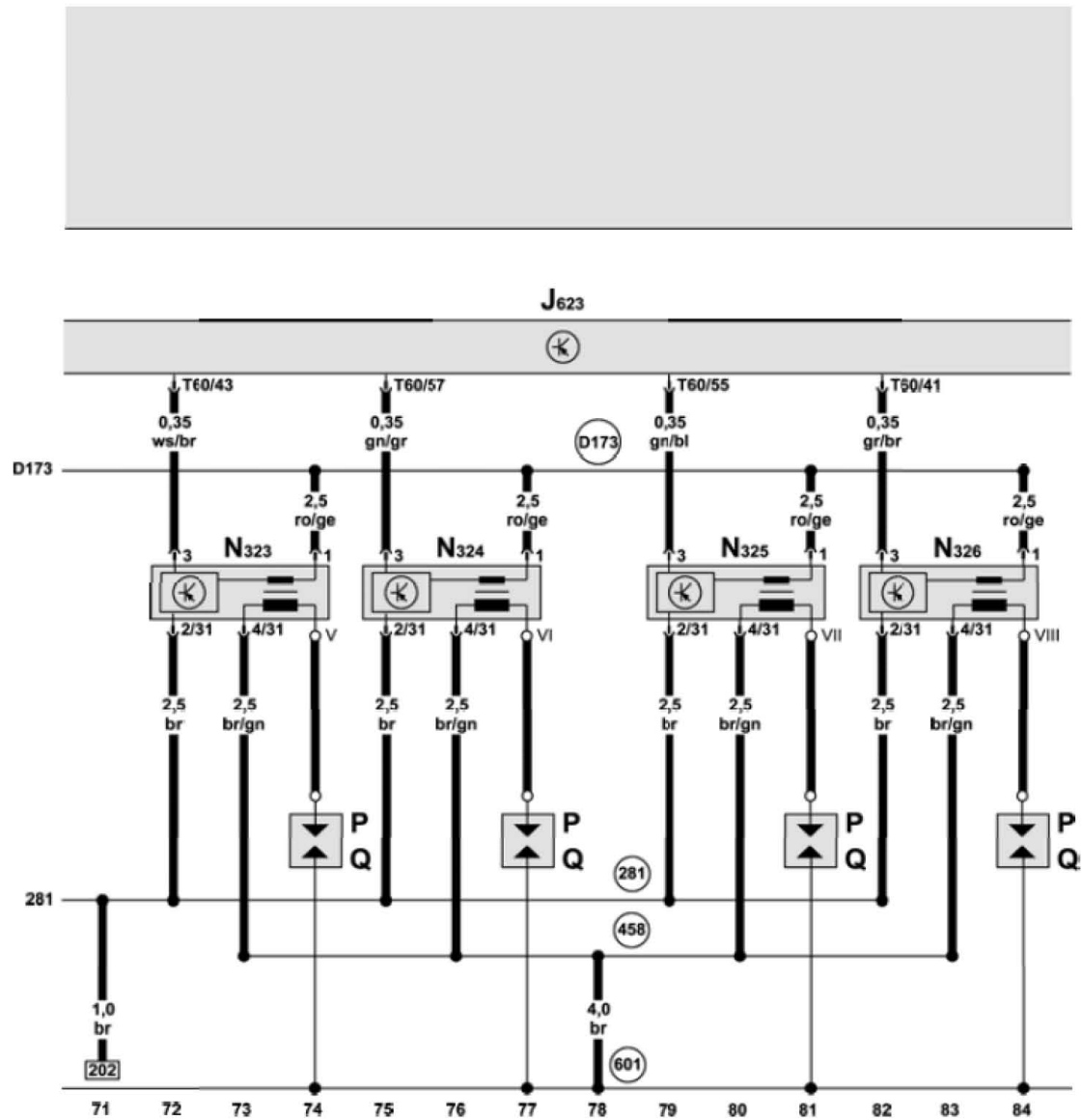
281 - Earth connection 1, in engine harness

283 - Earth connection 2, in engine harness

600 - Earth point, on right of cylinder head

609 - Earth point, on right in plenum chamber

D173 - Connection (87), in engine wiring harness



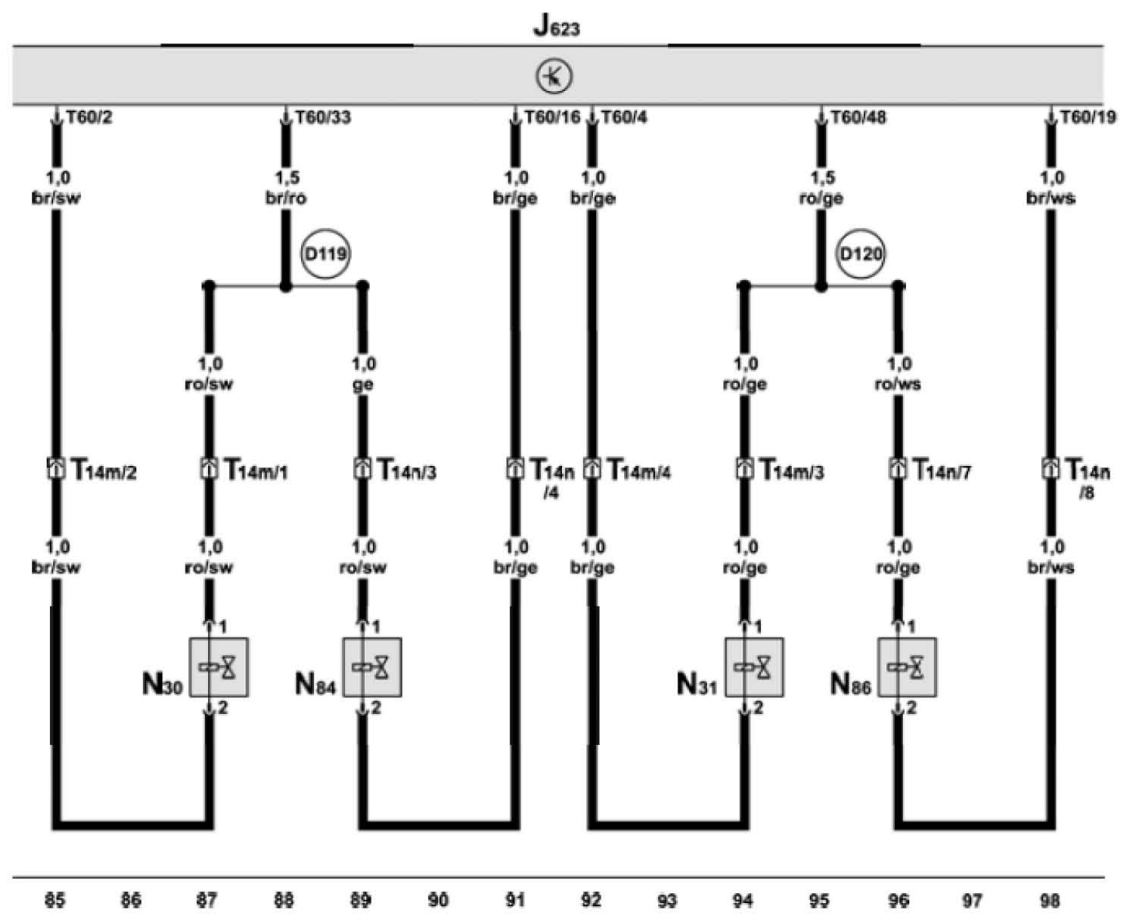
ws = white sw = black ro = red br = brown gn = green bl = blue
 gr = grey li = purple ge = yellow or = orange rs = pink

Engine control unit, ignition coil 5 -8 with output stage

J623 - Engine control unit

N323 - Ignition coil 5 with output stage

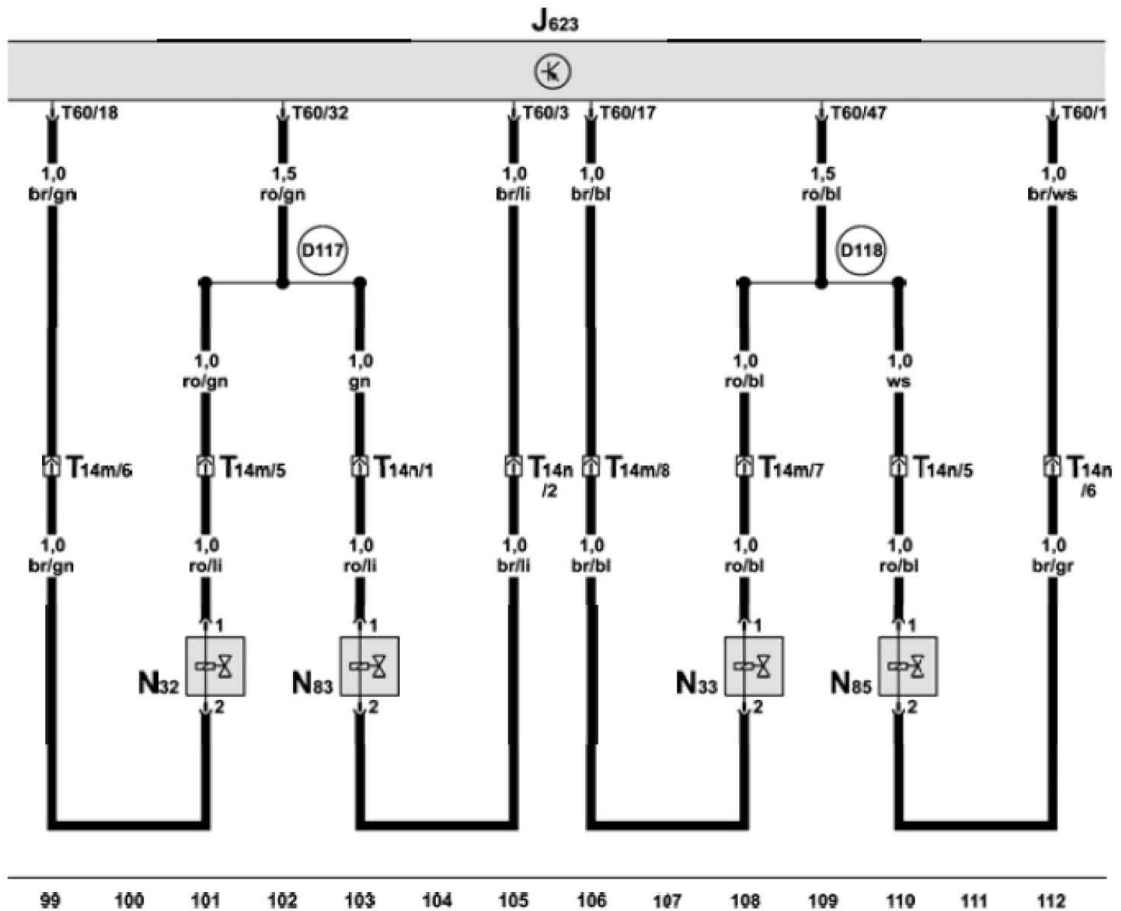
- N324 - Ignition coil 6 with output stage
- N325 - Ignition coil 7 with output stage
- N326 - Ignition coil 8 with output stage
- P - Spark plug connector
- Q - Spark plugs
- T60 - 60-pin connector, black, on engine control unit
- 281 - Earth connection 1, in engine harness
- 458 - Earth connection 3, in engine harness
- 601 - Earth point, on left of cylinder head
- D173 - Connection (87), in engine wiring harness



ws = white sw = black ro = red br = brown gn = green bl = blue
 gr = grey li = purple ge = yellow or = orange rs = pink

Engine control unit, injector for cylinders 1, 2, 6, 8
 J623 - Engine control unit

- N30 - Injector, cylinder 1
- N31 - Injector, cylinder 2
- N84 - Injector, cylinder 6
- N86 - Injector, cylinder 8
- T14m - 14-pin connector, black, in engine compartment, bank 1
- T14n - 14-pin connector, black, in engine compartment, bank 2
- T60 - 60-pin connector, black, on engine control unit
- D119 - Connection 17, in engine compartment wiring harness
- D120 - Connection 18, in engine compartment wiring harness



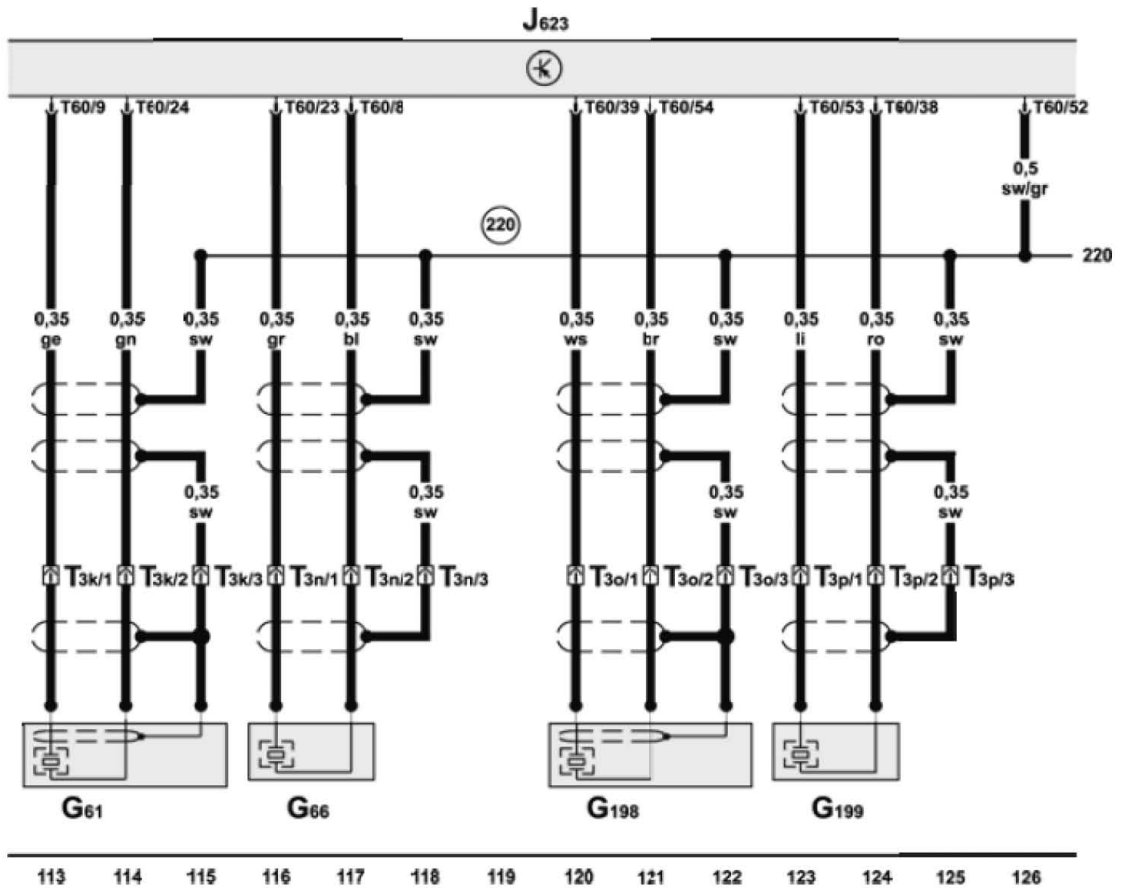
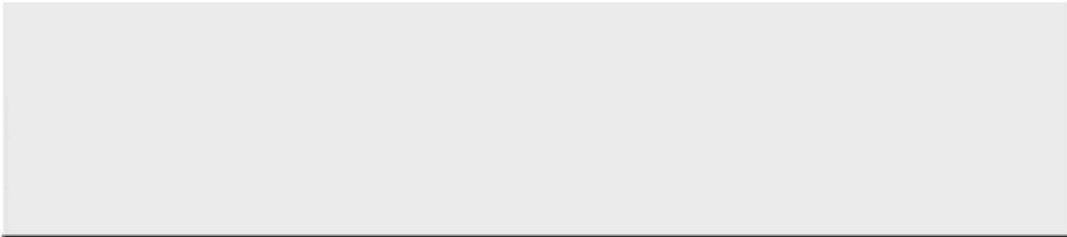
ws = white sw = black ro = red br = brown gn = green bl = blue
 gr = grey li = purple ge = yellow or = orange rs = pink

Engine control unit, injector for cylinders 3, 4, 5, 7

J623 - Engine control unit

N32 - Injector, cylinder 3

- N33 - Injector, cylinder 4
- N83 - Injector, cylinder 5
- N85 - Injector, cylinder 7
- T14m - 14-pin connector, black, in engine compartment, bank 1
- T14n - 14-pin connector, black, in engine compartment, bank 2
- T60 - 60-pin connector, black, on engine control unit
- D117 - Connection 15, in engine compartment wiring harness
- D118 - Connection 16, in engine compartment wiring harness

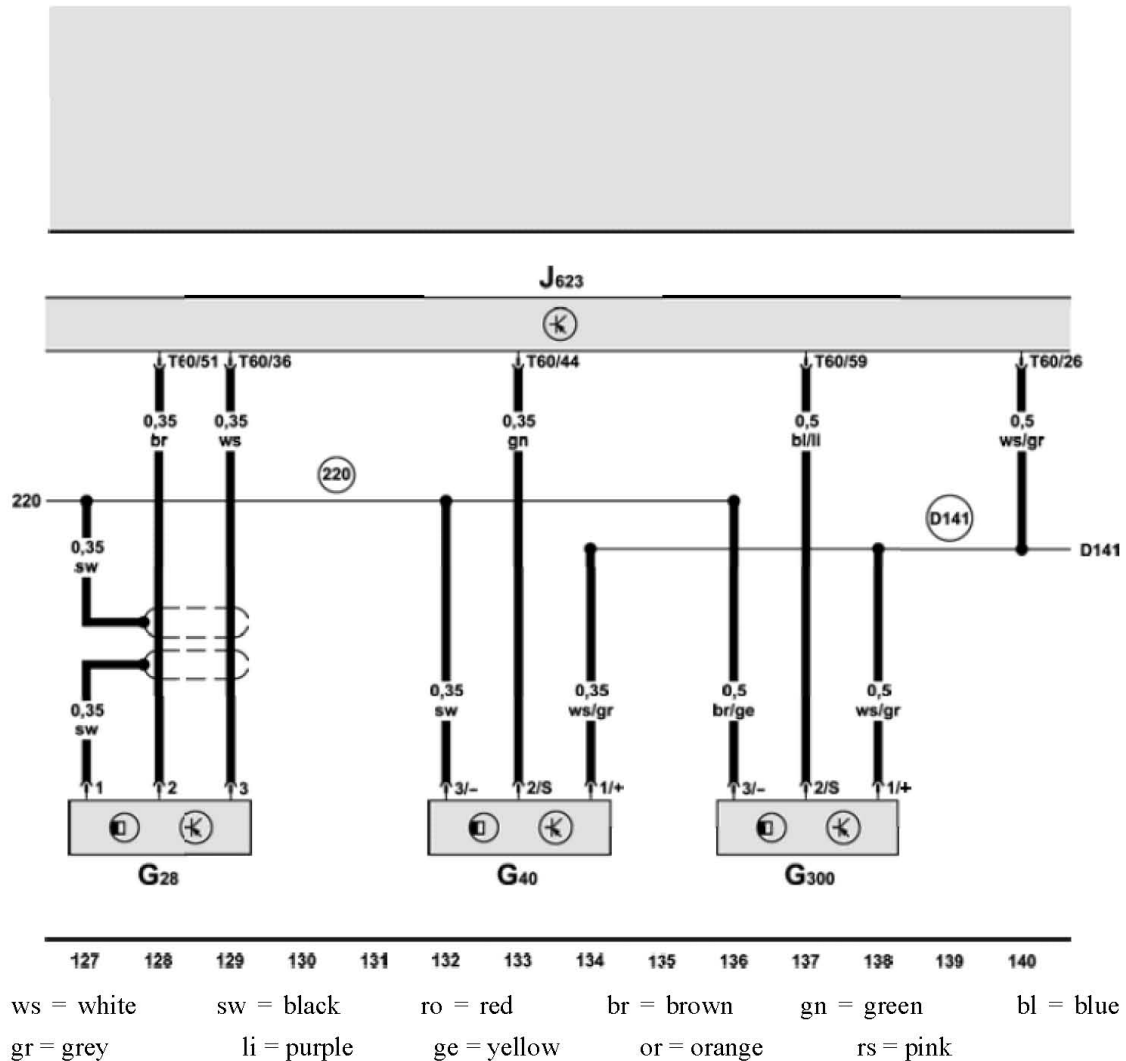


ws = white sw = black ro = red br = brown gn = green bl = blue
 gr = grey li = purple ge = yellow or = orange rs = pink

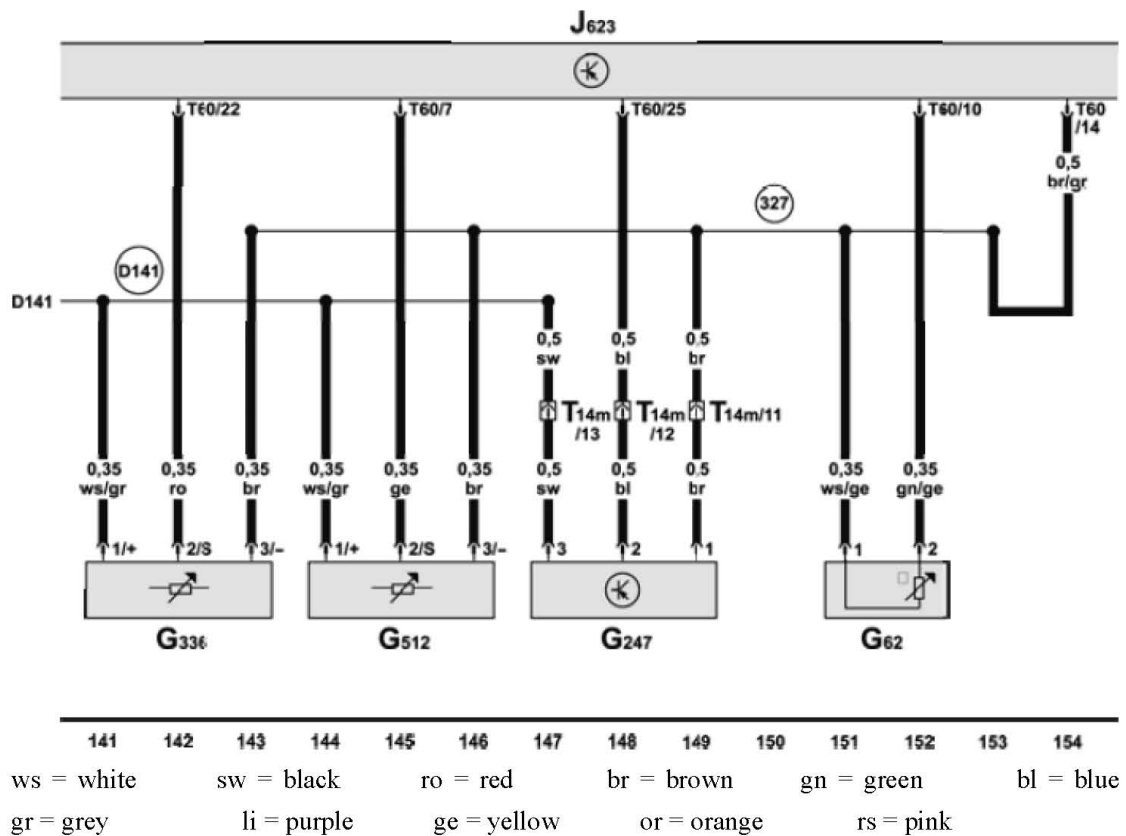
Engine control unit, knock sensor

- G61 - Knock sensor 1
- G66 - Knock sensor 2
- G198 - Knock sensor 3
- G199 - Knock sensor 4

- J623 - Engine control unit
- T3k - 3-pin connector, black, on knock sensor 1
- T3n - 3-pin connector, brown, on knock sensor 2
- T3o - 3-pin connector, black, on knock sensor 3
- T3p - 3-pin connector, brown, on knock sensor 4
- T60 - 60-pin connector, black, on engine control unit
- 220 - Earth connection (sender earth), in engine wiring harness



- Engine control unit, engine speed sender, Hall sender
- G28 - Engine speed sender
- G40 - Hall sender
- G300 - Hall sender 3
- J623 - Engine control unit
- T60 - 60-pin connector, black, on engine control unit
- 220 - Earth connection (sender earth), in engine wiring harness
- D141 - Connection (5V), in engine wiring harness



Engine control unit, coolant temperature sender, fuel pressuresender, intake manifold flap potentiometer

G62 - Coolant temperature sender

G247 - Fuel pressure sender

G336 - Intake manifold flap potentiometer

G512 - Intake manifold flap 2 potentiometer

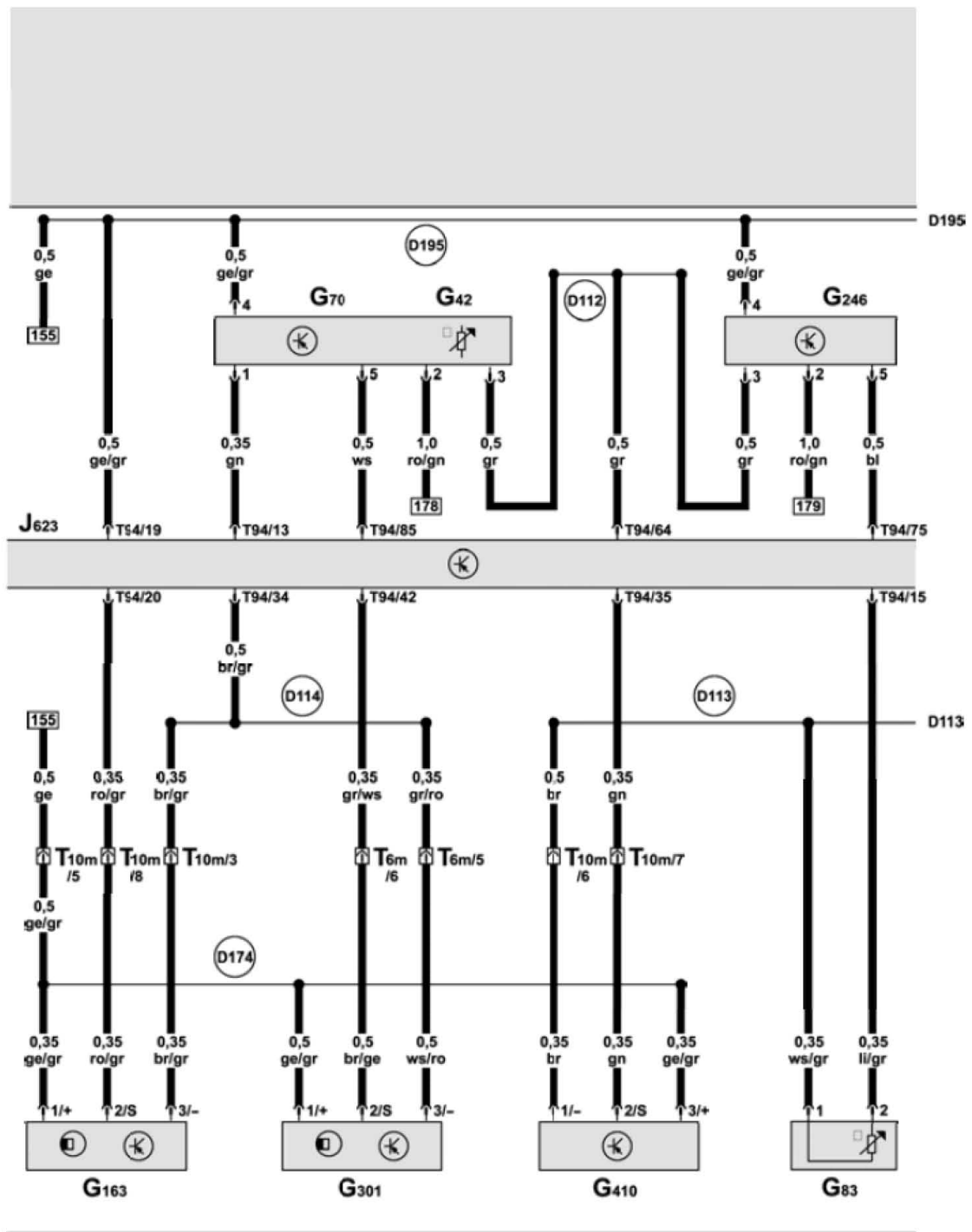
J623 - Engine control unit

T14m - 14-pin connector, black, in engine compartment, bank 1

T60 - 60-pin connector, black, on engine control unit

327 - Earth connection (sender earth), in engine compartment wiring harness

D141 - Connection (5V), in engine wiring harness



155	156	157	158	159	160	161	162	163	164	165	166	167	168
ws = white	sw = black	ro = red	br = brown	gn = green	bl = blue								
gr = grey	li = purple	ge = yellow	or = orange	rs = pink									

Engine control unit, air mass meter, radiator outlet coolant temperature sender, Hall sender, fuel pressure sender for low pressure, intake air temperature sender

G42 - Intake air temperature sender

G70 - Air mass meter

G83 - Radiator outlet coolant temperature sender

G163 - Hall sender 2

G246 - Air mass meter 2

G301 - Hall sender 4

G410 - Fuel pressure sender for low pressure

J623 - Engine control unit

T6m - 6-pin connector, white, coupling station on electronics box, plenum chamber

T10m - 10-pin connector, black, coupling station on electronics box, plenum chamber

T94 - 94-pin connector, black, on engine control unit

D112 - Connection 10, in engine compartment wiring harness

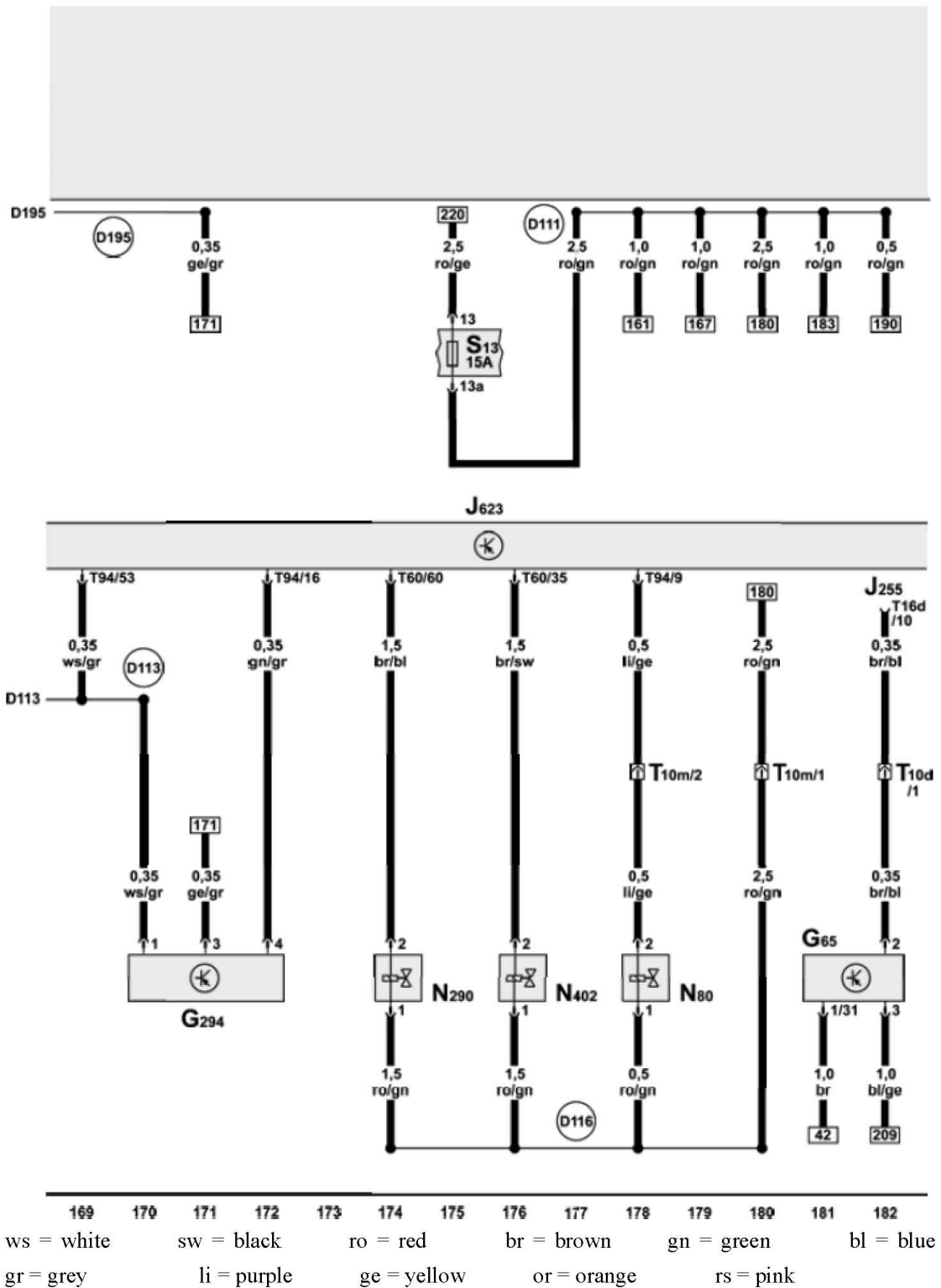
D113 - Connection 11, in engine compartment wiring harness

D114 - Connection 12, in engine compartment wiring harness

D174 - Earth connection 2 (5V), in engine wiring harness

D195 - Connection 1 (5V), in engine compartment wiring harness

LAUNCH



Engine control unit, high pressure sender, brake servo pressure sensor, active charcoal filter system solenoid valve 1, fuel metering valve
 G65 - High pressure sender
 G294 - Brake servo pressure sensor