

## B1328、 B1329、 B1333、 B1334 FRONT IMPACT SENSOR

### DTC DESCRIPTION

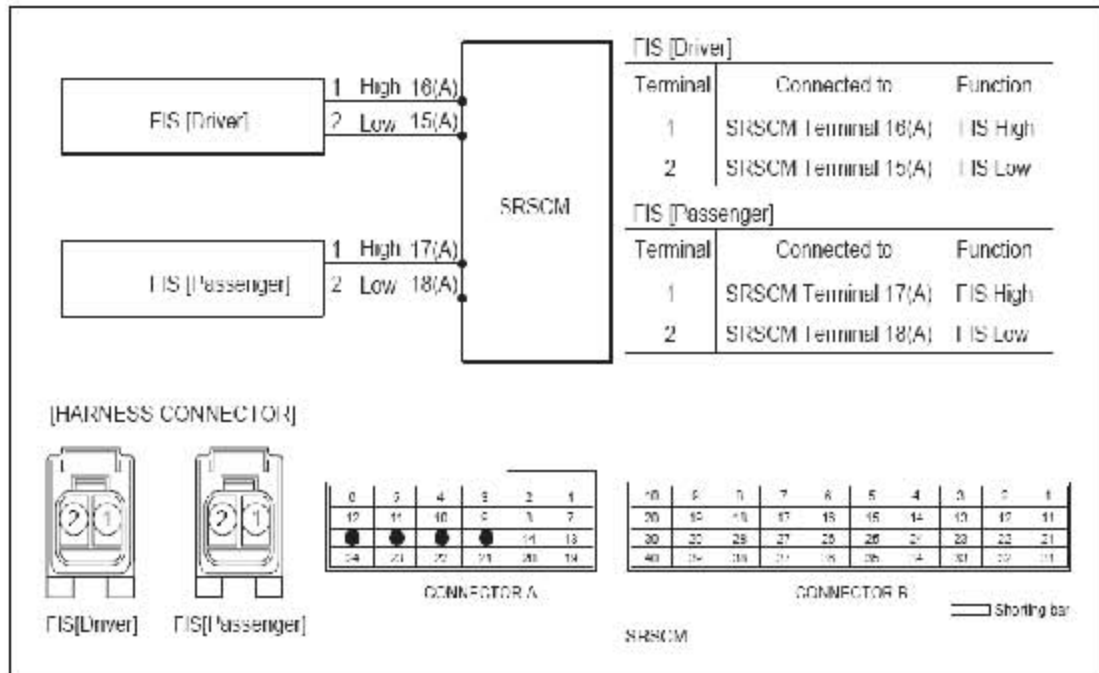
The detecting system for front crash consists of the SRSCM and two Front Impact Sensors (FIS). The SRSCM sets above DTC(s) if it detects that any FIS is defective or there is communication error between any FIS and the SRSCM.

DTC	FAULT DESCRIPTION
B1328	FRONT IMPACT SENSOR [DRIVER] DEFECT
B1329	FRONT IMPACT SENSOR [DRIVER] COMMUNICATION ERROR
B1333	FRONT IMPACT SENSOR [PASSENGER] DEFECT
B1334	FRONT IMPACT SENSOR [PASSENGER] COMMUNICATION ERROR

### DTC DETECTING CONDITION

DTC	Condition	Probable cause
B1328 B1329 B1333 B1334	<ul style="list-style-type: none"> <li>• Open between FIS and SRSCM</li> <li>• Front Impact Sensor(FIS) Malfunction</li> <li>• SRSCM Malfunction</li> </ul>	<ul style="list-style-type: none"> <li>• Wiring Harness</li> <li>• Front Impact Sensor(FIS)</li> <li>• SRSCM</li> </ul>

## SCHEMATIC DIAGRAM



## TERMINAL & CONNECTOR INSPECTION

Refer to the DESCRIPTION in this TROUBLESHOOTING section.

## INSPECTION PROCEDURE

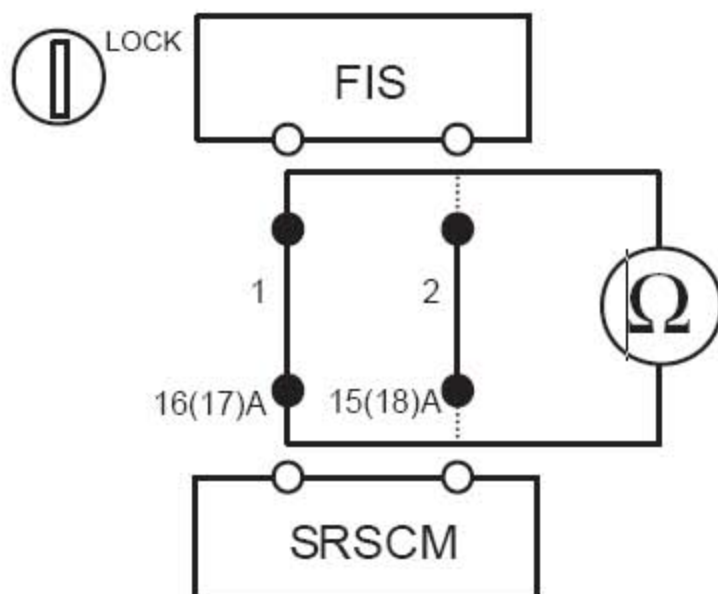
### 1). PREPARATION

Refer to the DESCRIPTION in this TROUBLESHOOTING section.

### 2). CHECK FIS CIRCUIT

- Measure resistance between the terminal 1 of FIS harness connector and the terminal 16(17) of SRSCM harness connector (A).
- Measure resistance between the terminal 2 of FIS harness connector and the terminal 15(18) of SRSCM harness connector (A).

**Specification (voltage) :** below 1 Ω



C) Is the measured voltage within specification?

**YES**

▶ Check Front Impact Sensor.

**NO**

▶ Repair or replace the wiring harness between the FIS and the SRSCM.

### 3). CHECK FRONT IMPACT SENSOR

A) Replace the front impact sensor(FIS) with a new one.

Refer to "Front Impact Sensor(FIS)" section in this SERVICE MANUAL.

B) Install the DAB module and connect the DAB connector.

C) Connect the connectors of the PAB, SAB, CAB, BPT, FIS and SIS.

D) Connect the SRSCM connector.

E) Connect the battery negative cable to the battery.

F) Connect a Hi-Scan(Pro) to the data link connector.

G) Turn the ignition switch to ON and check the vehicle again.

Does Hi-Scan (Pro) indicate any DTC related to FIS?

**YES**

▶ Go to next step.

**NO**

▶ Replace the Front Impact Sensor(FIS).

### 4). CLEAR THE DTC AND CHECK THE DTC AGAIN

Refer to the DESCRIPTION in this TROUBLESHOOTING section.