

B2505 PASSENGER AIRBAG DISABLE LAMP FAILURE

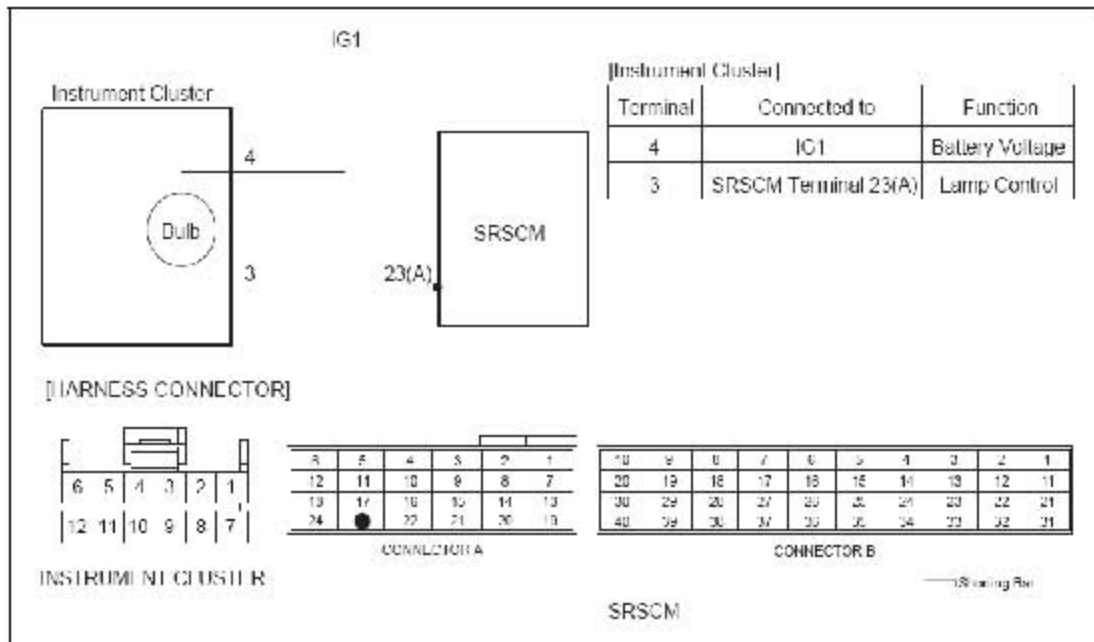
DTC DESCRIPTION

- 1). The SRSCM shall detect and record the following situations. And a single fault code shall be assigned as PAD Lamp Fault for all PAD lamp fault conditions. This fault code shall be set whenever either of the fault conditions is detected. If both fault conditions are not detected, the fault code shall not be detected.
- 2). The bulb is short, or there is a short to battery condition on the PAD lamp input connection to the SRSCM. This condition is only detectable while the PAD lamp is commanded ON. If a short to battery condition is detected, the PAD lamp shall be commanded OFF for 15 seconds to protect the circuit.
- 3). The bulb is open, or there is a short to ground condition. This condition is only detectable while the PAD lamp is commanded OFF. If the PAD lamp is ON and a short to ground condition is present, the SRSCM shall command the PAD lamp OFF for a maximum of 1ms during each diagnostic cycle.

DTC DETECTING CONDITION

DTC	Condition	Probable cause
B2505	<ul style="list-style-type: none"> • PAD lamp bulb open or short • Open between PAD lamp and SRSCM • Short to ground or battery line between PAD lamp and SRSCM • SRSCM malfunction 	<ul style="list-style-type: none"> • Fuse • PAD lamp bulb • Wiring Harness • SRSCM

SCHEMATIC DIAGRAM



TERMINAL & CONNECTOR INSPECTION

Refer to the DESCRIPTION in this TROUBLESHOOTING section.

INSPECTION PROCEDURE

1). PREPARATION.

Refer to the DESCRIPTION in this TROUBLESHOOTING section.

2). CHECK THE FUSE

A) Remove the airbag fuse and the airbag warning lamp fuse from junction box.

B) Inspect the fuses. Are the fuses normal?

YES

▶ Check the PAD lamp bulb.

NO

▶ Repair or replace the fuses.

3). CHECK THE PAD LAMP BULB

A) Remove the bulb from the instrument cluster.

B) Inspect the bulb. Is the bulb normal?

YES

▶ Check source voltage.

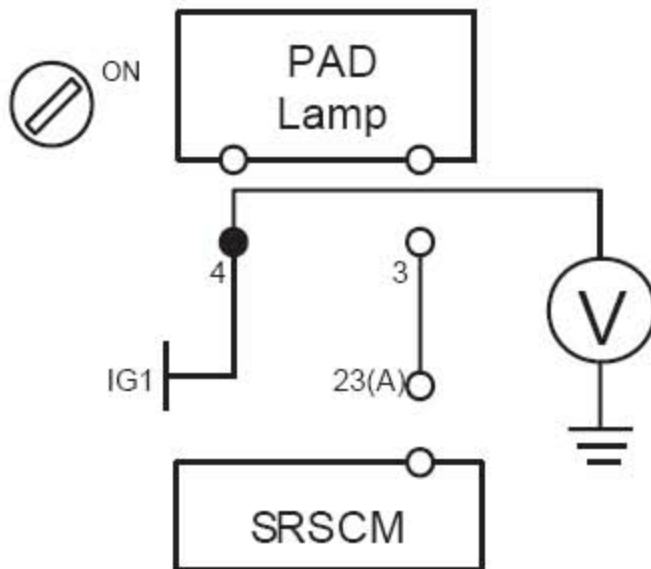
NO

▶ Repair or replace the bulb.

4). CHECK SOURCE VOLTAGE

- A) Connect the battery negative cable to the battery.
- B) Turn the ignition switch to ON.
- C) Measure voltage between the terminal 4 of the Instrument Cluster harness connector and chassis ground.

Specification (voltage) : 8.38 ~ 17.0 V
--



- D) Is the measured voltage within specification?

YES

- ▶ Check short to battery line.

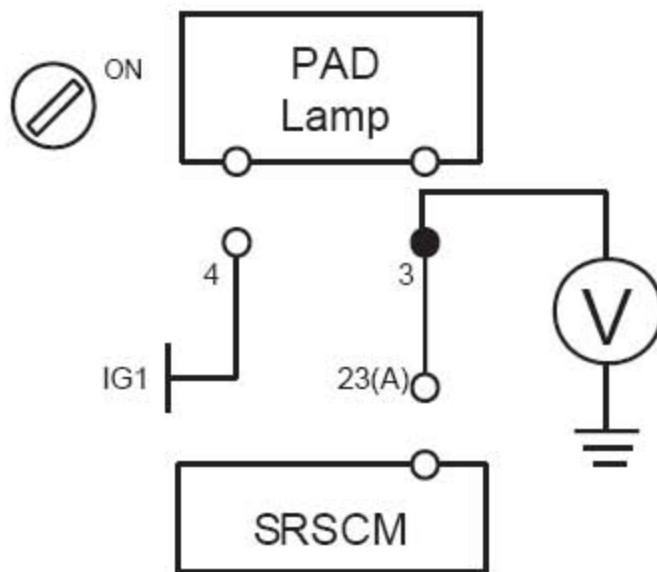
NO

- ▶ Repair or replace the wiring harness between ignition switch and the PAD Lamp.

5). CHECK SHORT TO BATTERY LINE

- A) Measure voltage between the terminal 3 of the Instrument Cluster harness connector and chassis ground.

Specification (voltage) : Approximately 0 V
--



B) Is the measured voltage within specification?

YES

- ▶ Check short or short to ground.

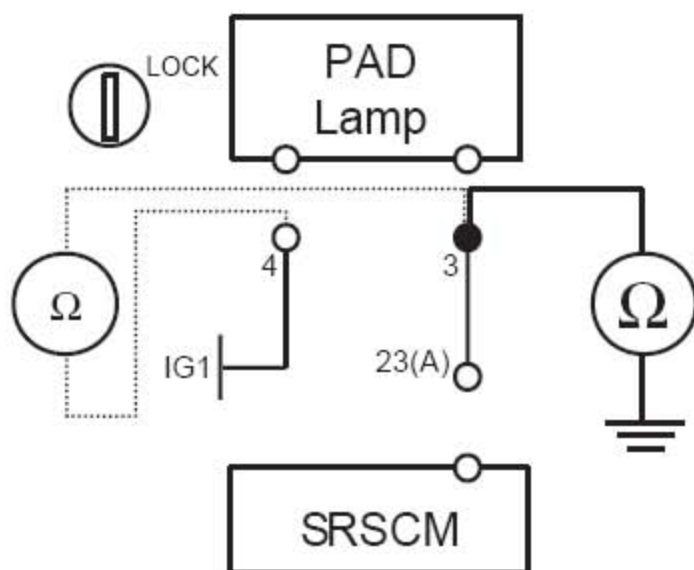
NO

- ▶ Repair the short to battery line circuit on wiring harness between the SRSCM and the PAD Lamp.

6). CHECK SHORT OR SHORT TO GROUND

- A) Turn the ignition switch to LOCK.
- B) Disconnect the battery negative cable from the battery.
- C) Measure resistance between the terminal 3 of the Instrument Cluster harness connector and chassis ground.
- D) Measure resistance between the terminal 4 and 3 of the Instrument Cluster harness connector.

Specification (resistance) : infinite
--



B) Is the measured resistance within specification?

YES

▶ Check open circuit.

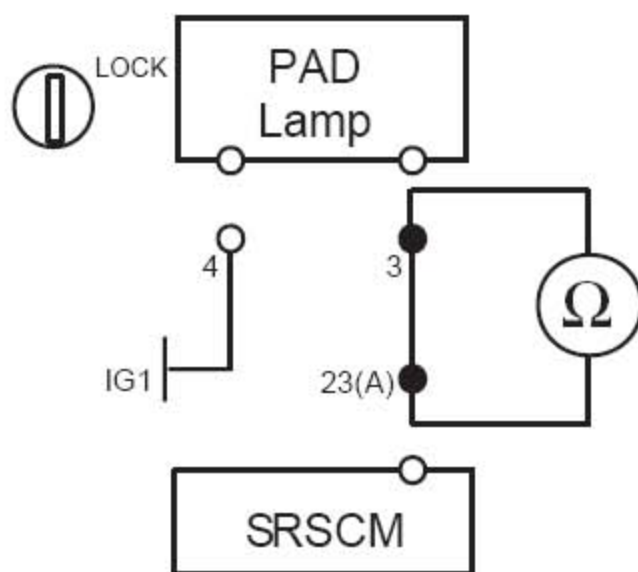
NO

▶ Repair the short or short to ground circuit on wiring harness between the SRSCM and the PAD Lamp.

7). CHECK OPEN CIRCUIT

A) Measure resistance between the terminal 3 of the Instrument Cluster connector and the terminal 23 of SRSCM harness connector(A).

Specification (resistance) : below 1 Ω



B) Is the measured resistance within specification?

YES

- ▶ Go to next step.

NO

- ▶ Repair the open circuit on wiring harness between the SRSCM and the PAD Lamp.

8). CLEAR THE DTC AND CHECK THE VEHICLE AGAIN

Refer to the DESCRIPTION in this TROUBLESHOOTING section.