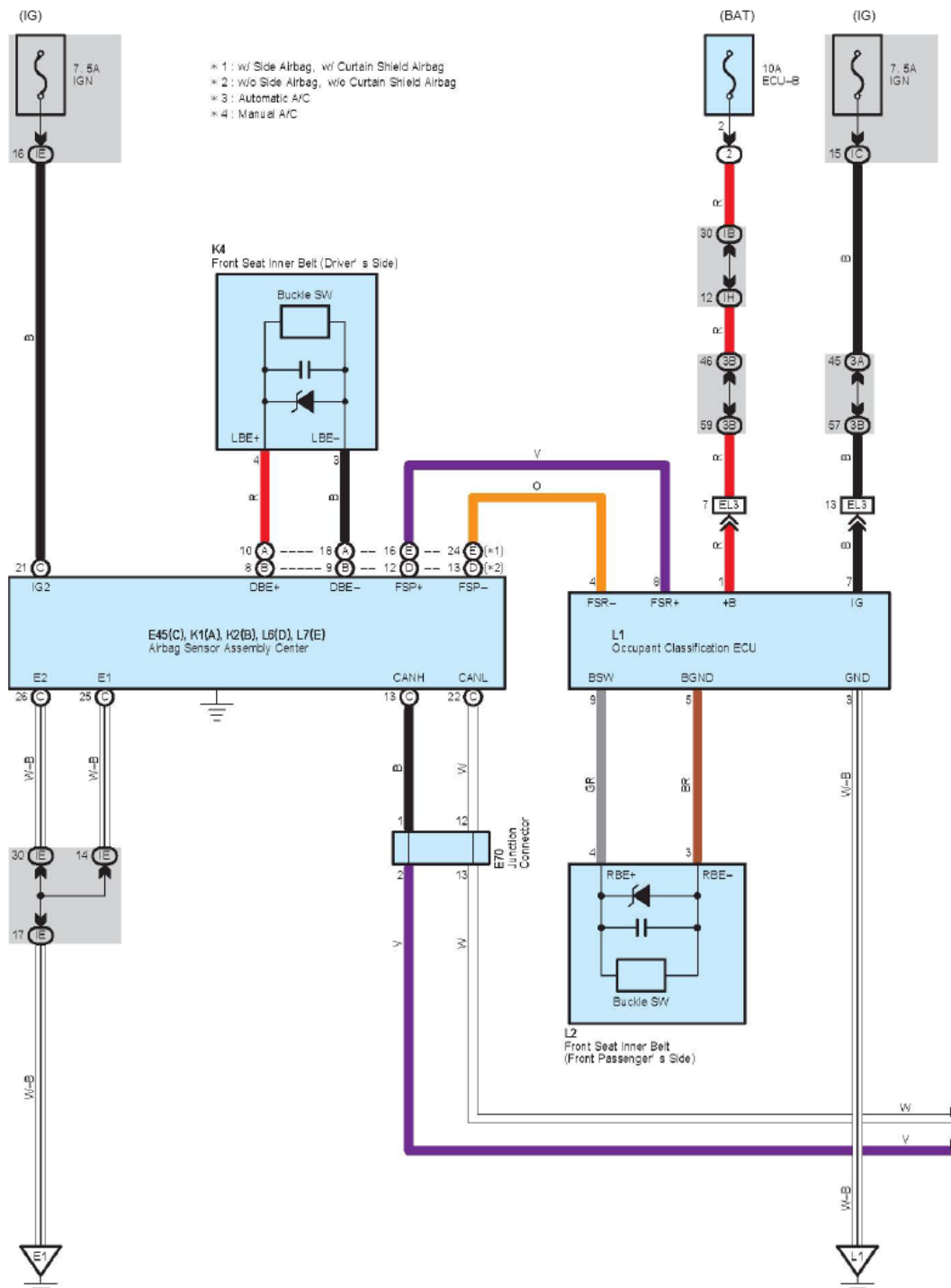
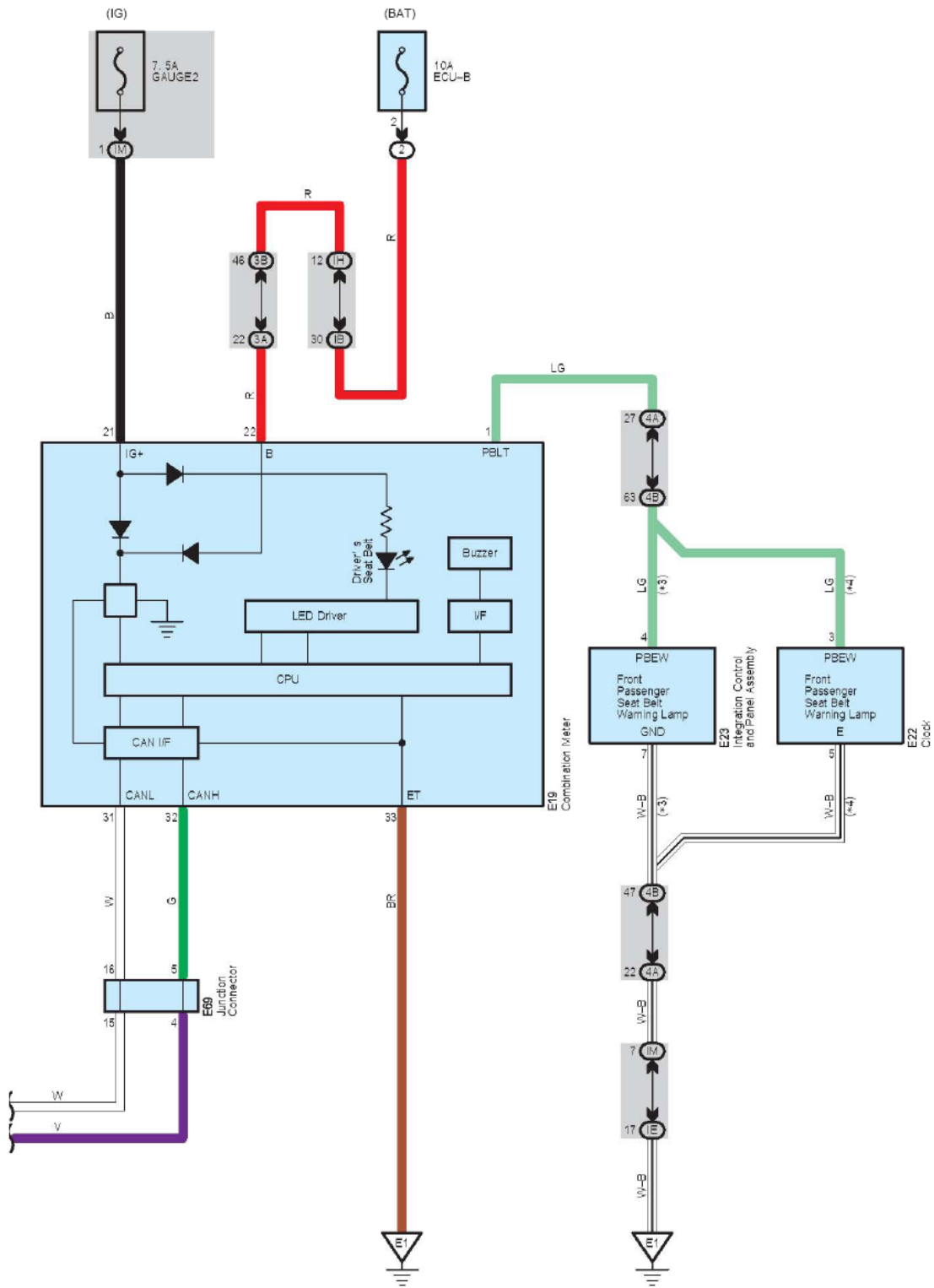


Seat Belt Warning





Relay Blocks

Code	Relay Blocks (Relay Block Location)
2	Engine Room R/B No.2 (Engine Compartment Right)Engine Room R/B No.2 (Engine Compartment Right)

Junction Block and Wire Harness Connector

Code	Junction Block and Wire Harness (Connector Location)
3A	Instrument Panel Wire and J/B No.3 (Instrument Panel Center)Instrument Panel Wire and J/B No.3 (Instrument Panel Center)
3B _	
4A	Instrument Panel Wire and J/B No.4 (Instrument Panel Center)Instrument Panel Wire and J/B No.4 (Instrument Panel Center)
4B _	
IB	Engine Room Main Wire and Instrument Panel J/B (Cowl Side Left)
IC	Instrument Panel Wire and Instrument Panel J/B (Cowl Side Left)Instrument Panel Wire and Instrument Panel J/B (Cowl Side Left)
IE _	
IH _	
IM	

Connector Joining Wire Harness and Wire Harness

Code	Joining Wire Harness and Wire Harness (Connector Location)
EL3	Instrument Panel Wire and Floor No.2 Wire (Right Kick Panel)

Ground Points

Code	Ground Points Location
E1	Left Kick Panel
L1	Right Center Pillar

LAUNCH