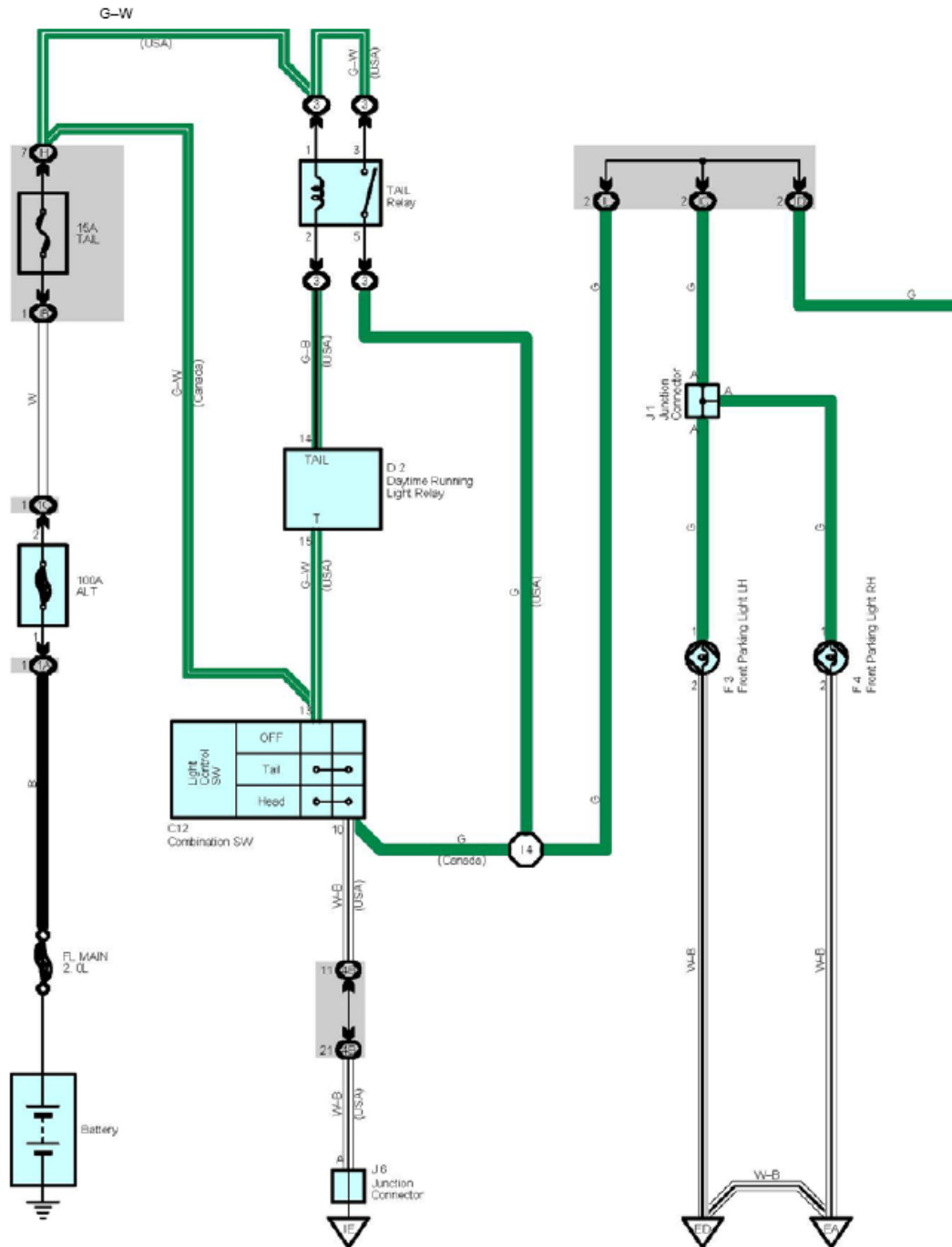
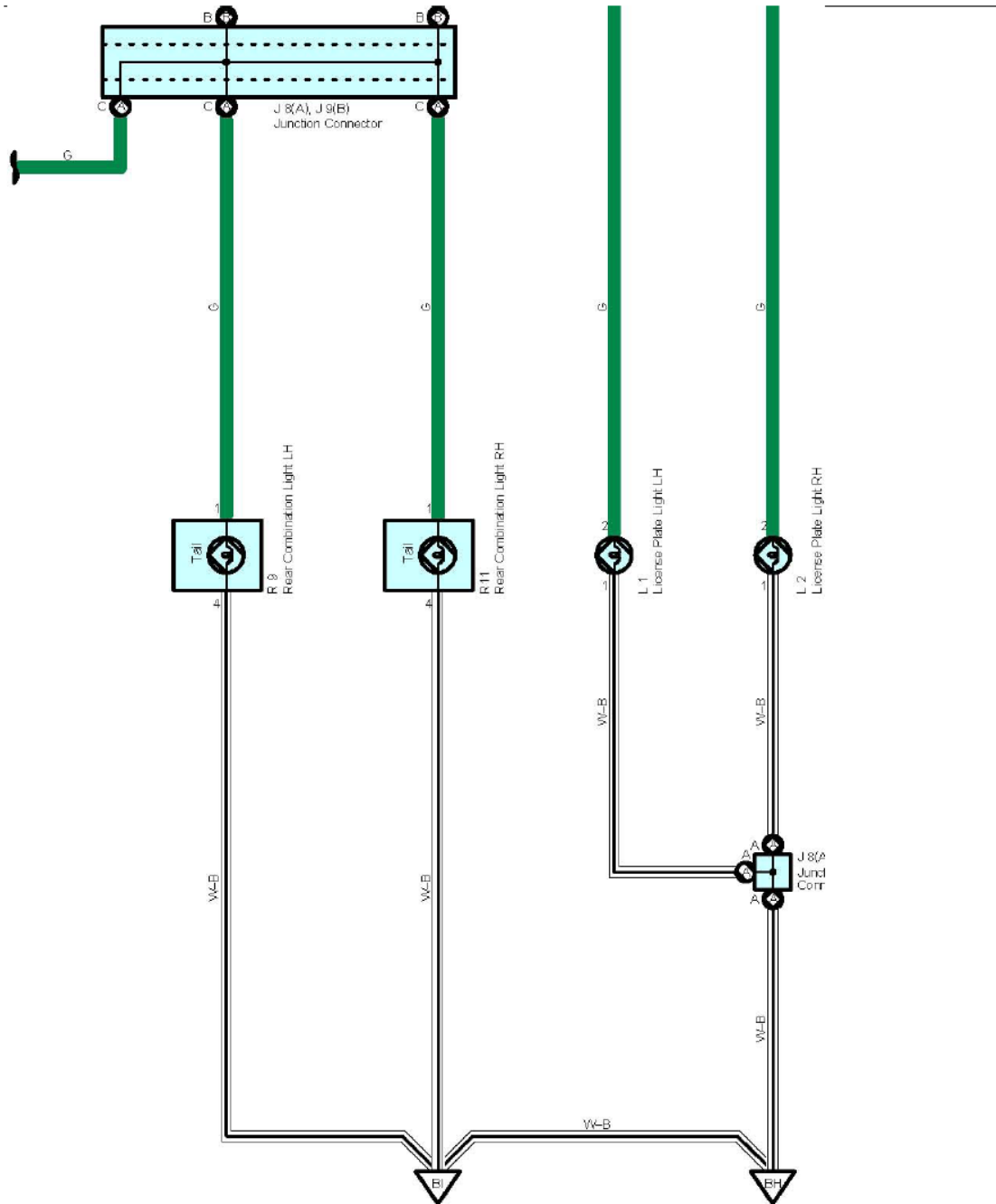


Taillight





Service Hints**C12 Combination SW**

10-13 : Continuity with the light control SW at Tail or Head position

TAIL Relay

5-3 : Closed with the light control SW at Tail or Head position

Relay Blocks

Code	Relay Blocks (Relay Block Location)
3	RH R/B (Right Side of the Instrument Panel Reinforcement)

Junction Block and Wire Harness Connector

Code	Junction Block and Wire Harness (Connector Location)
IB	Engine Room Main Wire and Instrument Panel J/B (Lower Finish Panel) Engine Room Main Wire and Instrument Panel J/B (Lower Finish Panel)
IC_	
ID	Floor Wire and Instrument Panel J/B (Lower Finish Panel)
IH	Instrument Panel Wire and Instrument Panel J/B (Lower Finish Panel) Instrument Panel Wire and Instrument Panel J/B (Lower Finish Panel)
IL	
1A	Engine Wire and Engine Room J/B (Engine Compartment Left)
1C	Engine Room Main Wire and Engine Room J/B (Engine Compartment Left)
4B	Instrument Panel Wire and Center J/B (Behind the Combination Meter)

Ground Points

Code	Ground Points Location
EA	Front Right Fender
ED	Front Left Suspension Tower
IE	Behind the Combination Meter
BH	Under the Left Quarter Pillar
BI	Lower Back Panel

Splice Points

Code	Wire Harness with Splice Points	Code	See Page	Wire Harness with Splice Points
I4	Instrument Panel Wire			