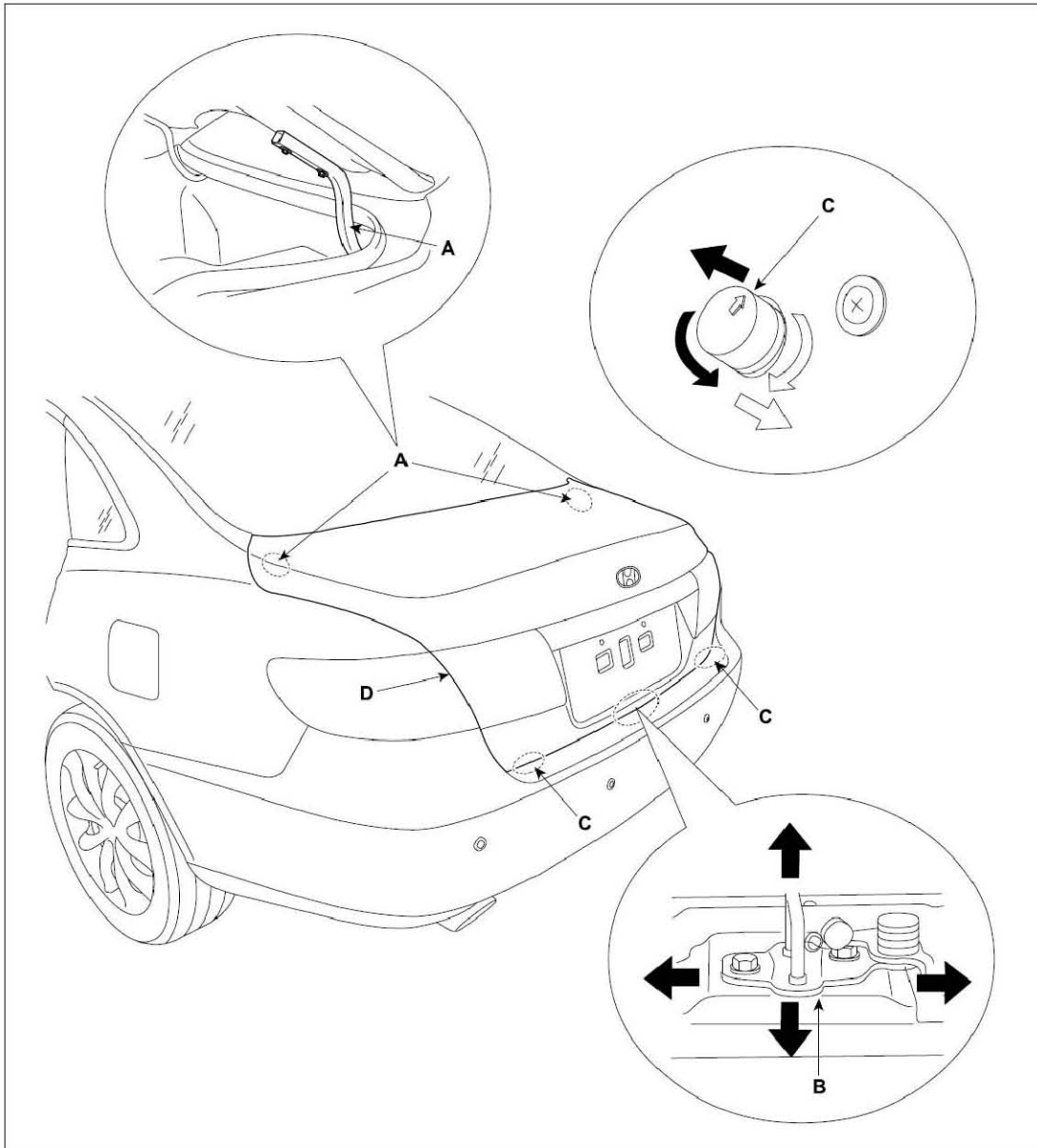


**ADJUSTMENT**

1. After loosening the trunk lid hinge (A) mounting bolt, adjust the hood (D) by moving it up or down, or right or left.
2. Adjust the trunk lid height by turning the trunk lid over-slam bumpers (C).
3. After loosening the trunk lid latch (B) mounting bolts, adjust the trunk lid latch by moving it up or down, or right or left.



**TRUNK LID**

**REPLACEMENT**

**TRUNK LID ASSEMBLY REPLACEMENT**

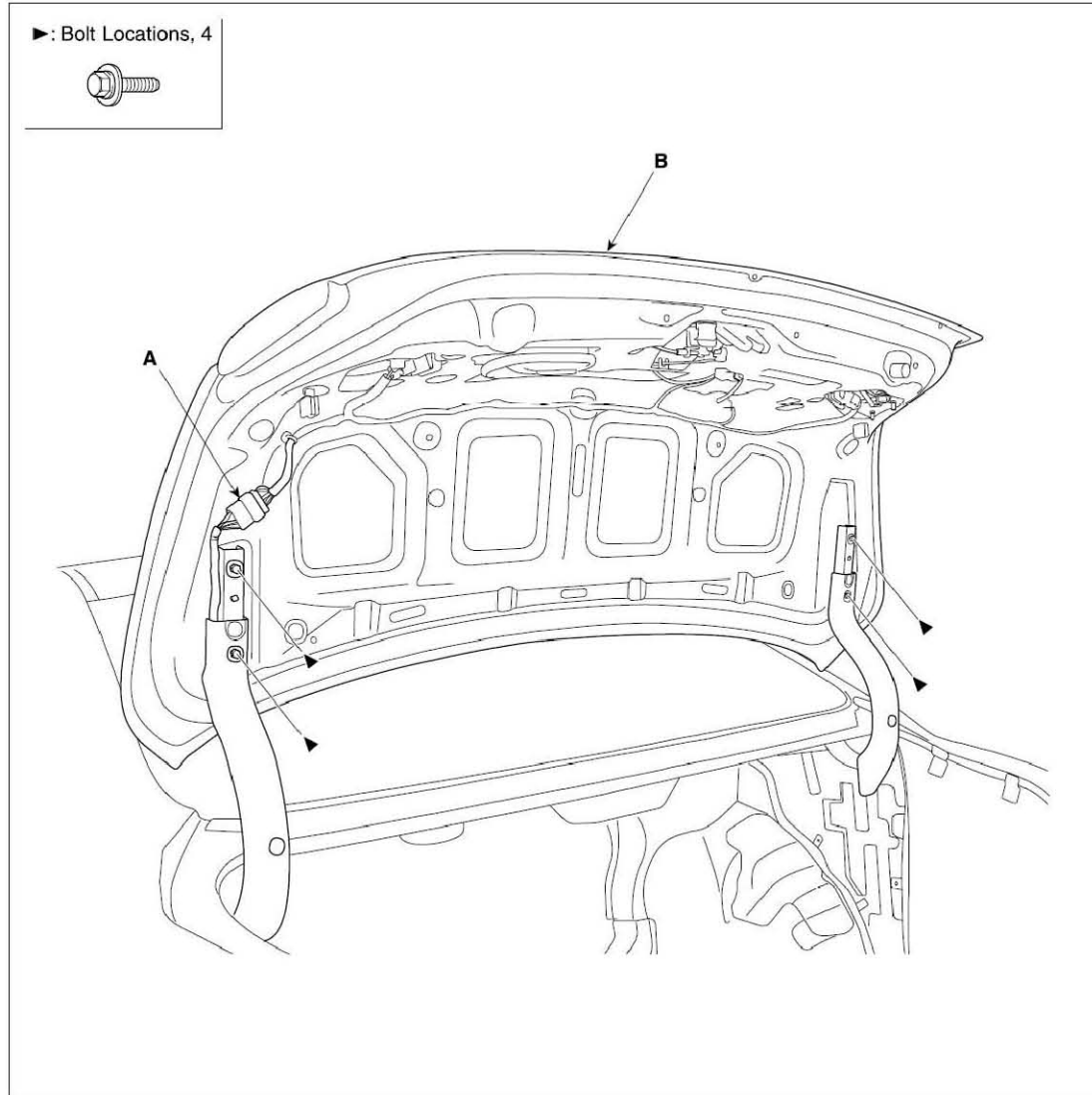
1. Disconnect the trunk lid connector (A).
2. Loosen the bolts, then remove the trunk lid (B).
3. Installation is the reverse of removal.

**NOTE**

- When removing and installing the trunk lid, an assistant is necessary.
- Wear gloves to protect hands from injury.

**NOTE**

- Make sure the trunk lid opens properly and locks securely.
- Adjust the trunk lid alignment(See page BD-19).



**TRUNK LID TRIM REPLACEMENT**

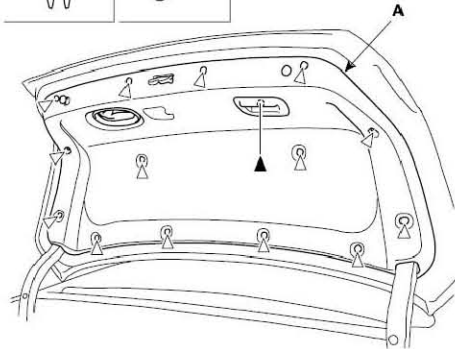
1. Detach the clips, then remove the trunk trim (A).

**NOTE**

- When removing and installing the trunk lid, an assistant is necessary.
- Wear gloves to protect hands from injury.

**Fastener Locations**

- ▷: Clip, 14    ▷: Screw, 1



2. Installation is the reverse of removal.

**NOTE**

- Replace any damaged clips.

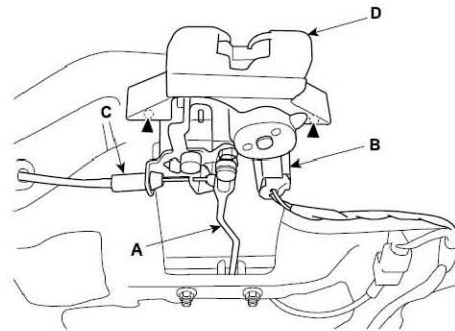
**TRUNK LID LATCH REPLACEMENT**

1. Remove the trunk lid trim(See page BD-15).
2. Disconnect the key cylinder (A), connector (B) and cable (C).
3. After loosening the mounting bolt, then remove the latch assembly (D).

**Bolt Locations, 2**



6.9 ~ 10.8 N·m  
(0.7 ~ 1.1 kgf·m  
5.1 ~ 8.0 lbf·ft)



4. Installation is the reverse of removal.

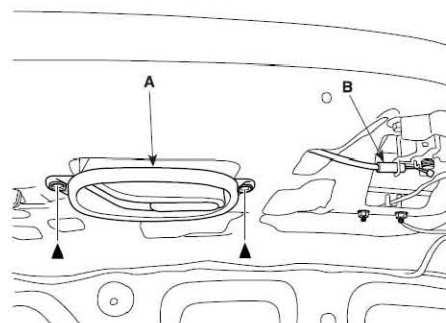
**NOTE**

- Make sure the connector is connected properly and the cylinder rod is connected properly.
- Make sure the trunk lid opens properly and locks securely.

**INSIDE HANDLE REPLACEMENT**

1. Remove the trunk lid trim(See page BD-15).
2. Disconnect the inside handle cable (B) from the latch.
3. After loosening the inside handle mounting screws, then remove the inside handle (A).

**Screw Locations, 2**



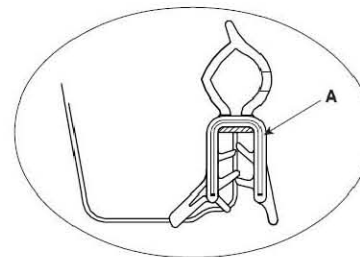
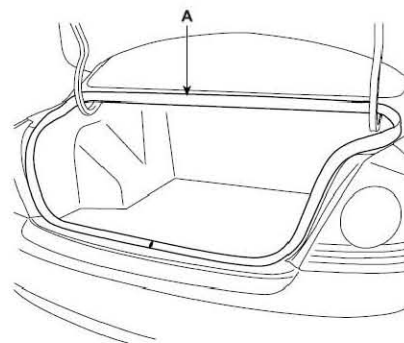
4. Installation is the reverse of removal.

**NOTE**

- Make sure the trunk lid latch cable is connected properly.
- Make sure the trunk lid opens properly and locks securely.

**TRUNK LID WEATHERSTRIP REPLACEMENT**

1. Remove the trunk lid weatherstrip (A).



2. Installation is the reverse of removal.

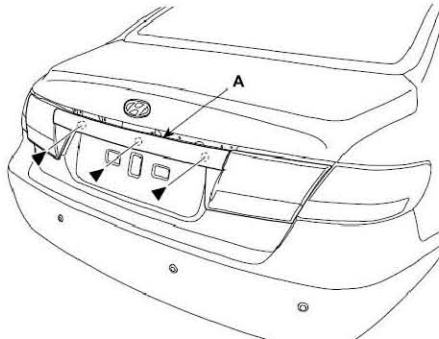
**KEY HOLDER REPLACEMENT**

1. Remove the trunk lid trim(See page BD-14).
2. Remove the trunk lid garnish (A).

▶: Nut Locations, 3



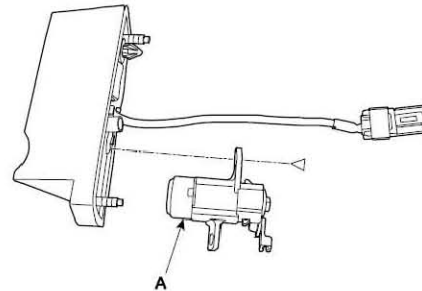
**6.9 ~ 10.8 N·m**  
**(0.7 ~ 1.1 kgf·m**  
**5.1 ~ 8.0 lbf·ft)**



▶: Bolt Locations, 1



**6.9 ~ 10.8 N·m**  
**(0.7 ~ 1.1 kgf·m**  
**5.1 ~ 8.0 lbf·ft)**

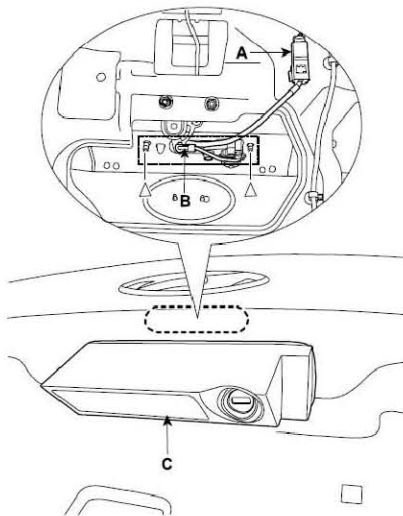


3. Disconnect the outside handle rod (B) and connector (A).
4. Remove the outside handle (C).

▶: Nut Locations, 2



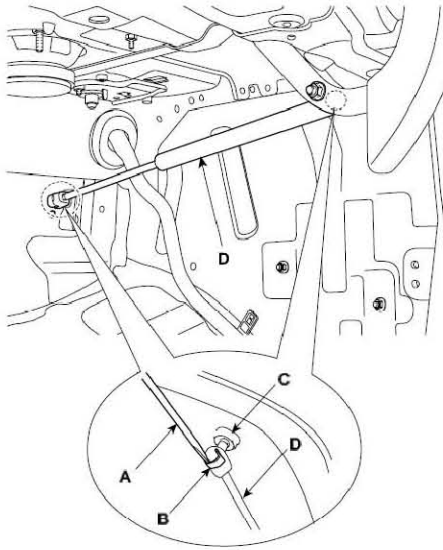
**6.9 ~ 10.8 N·m**  
**(0.7 ~ 1.1 kgf·m**  
**5.1 ~ 8.0 lbf·ft)**



6. Installation is the reverse of removal.

**TRUNK LID LIFTER REPLACEMENT**

1. Using a screwdriver (A), lift up slightly the socket clips (B) of both ends on the lifter (D), and then remove the lifter from the bracket (C).

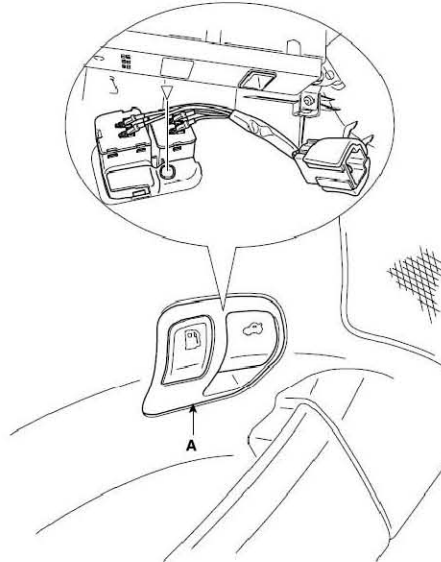


2. Push the socket of the lifter into the bracket for installation.

**TRUNK LID OPEN SWITCH REPLACEMENT**

1. Remove the front door trim (See page BD-21).
2. Loosen the mounting screw, then remove the trunk lid open switch (A).

▷: Screw Locations, 1



3. Installation is the reverse of removal.


LAUNCH  
LAUNCH

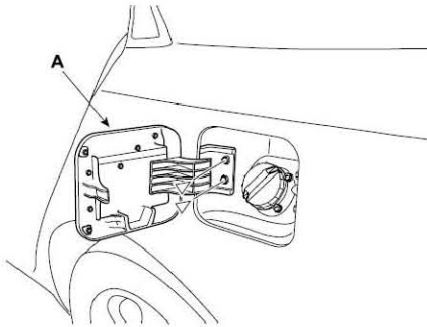


**FUEL FILL DOOR REPLACEMENT**

1. Loosen the bolts, then remove the fuel filler door (A).

▷ : Bolt Locations, 2

 **3.9 ~ 5.9 N·m**  
**(0.4 ~ 0.6 kgf·m**  
**2.9 ~ 4.3 lbf·ft)**



2. Installation is the reverse of removal.

** NOTE**

- *Make sure the fuel fill door opens properly and locks securely.*

3. Check that the fuel fill door (A) fit flush against the body. If necessary, adjust it.

