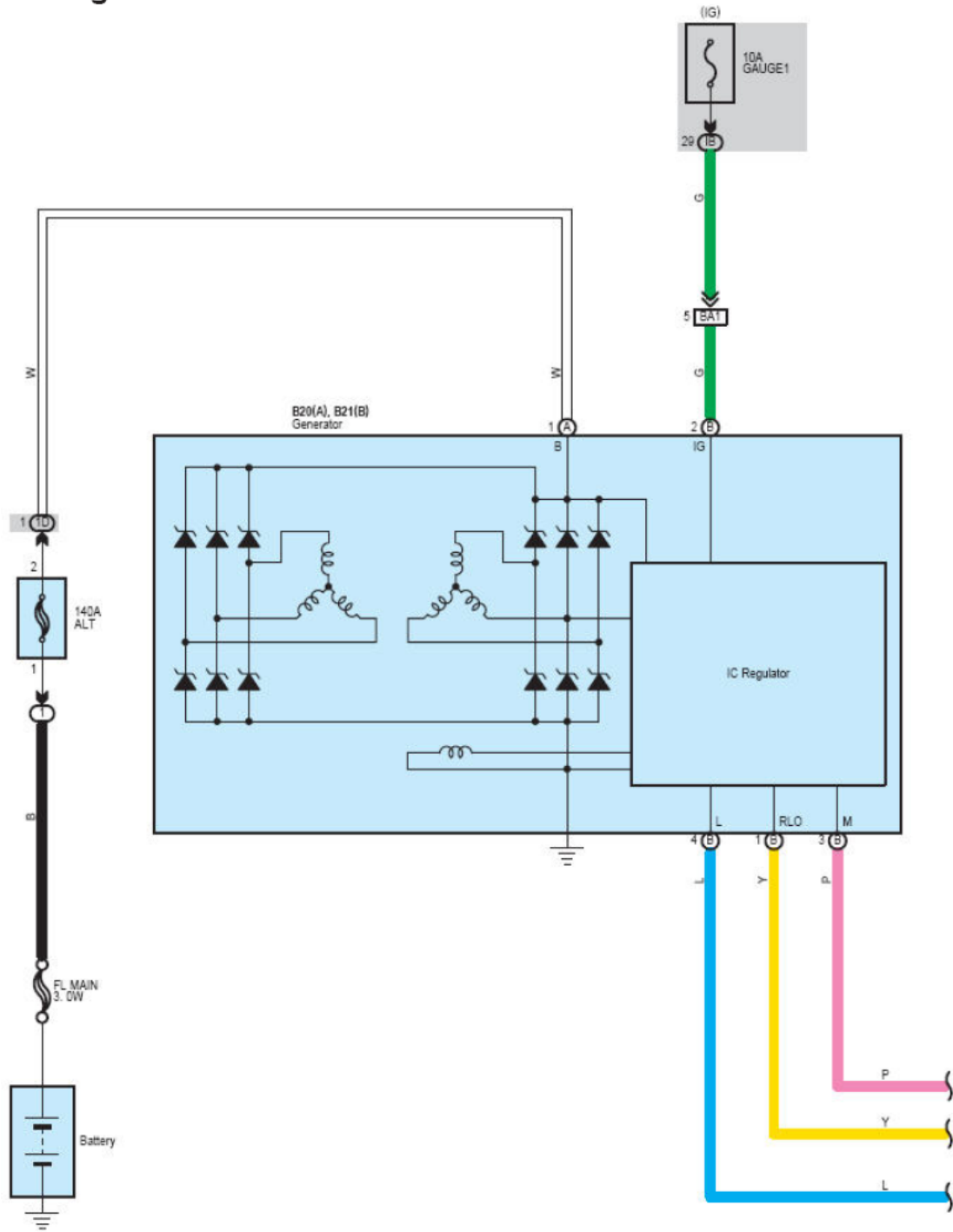
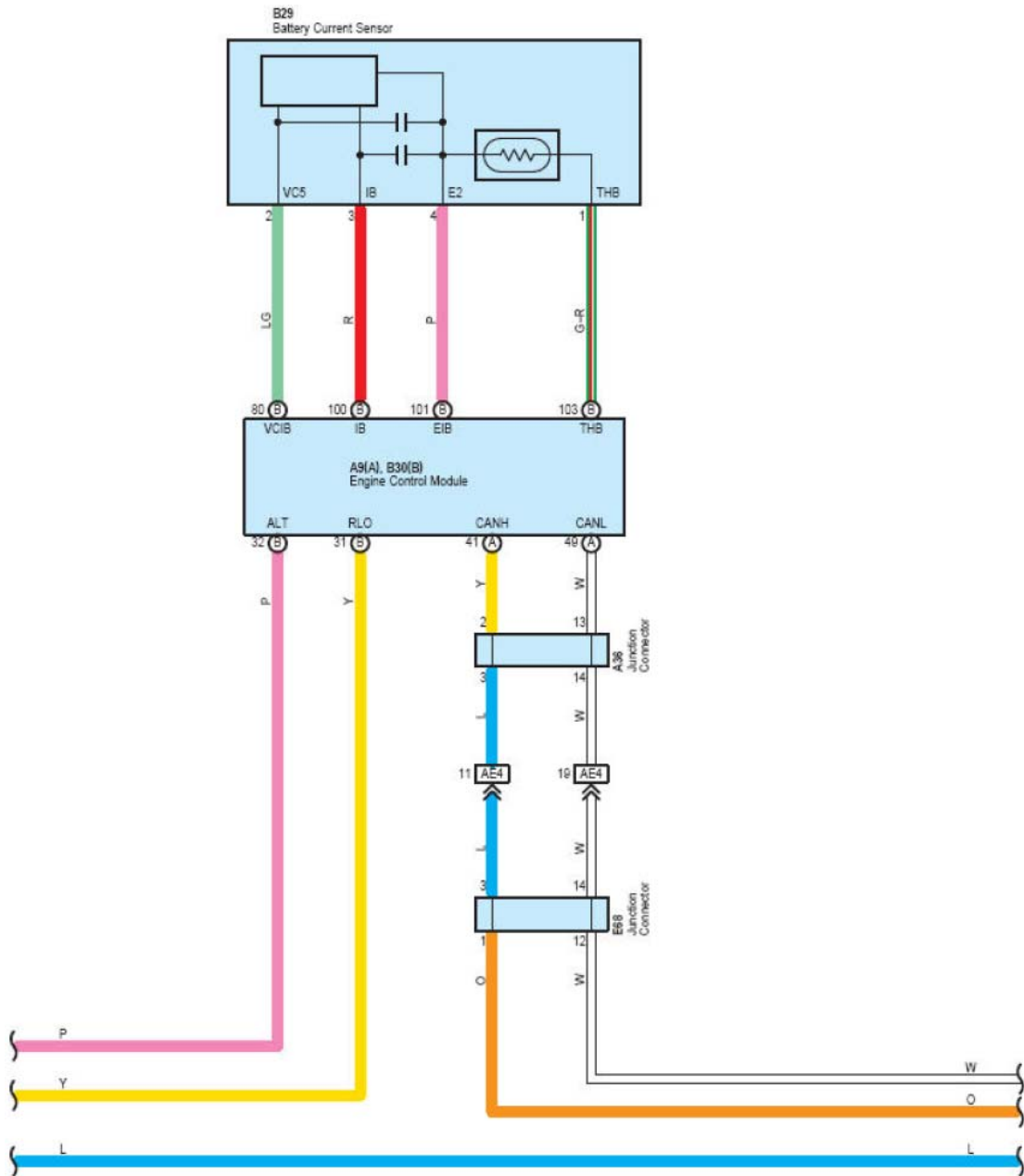
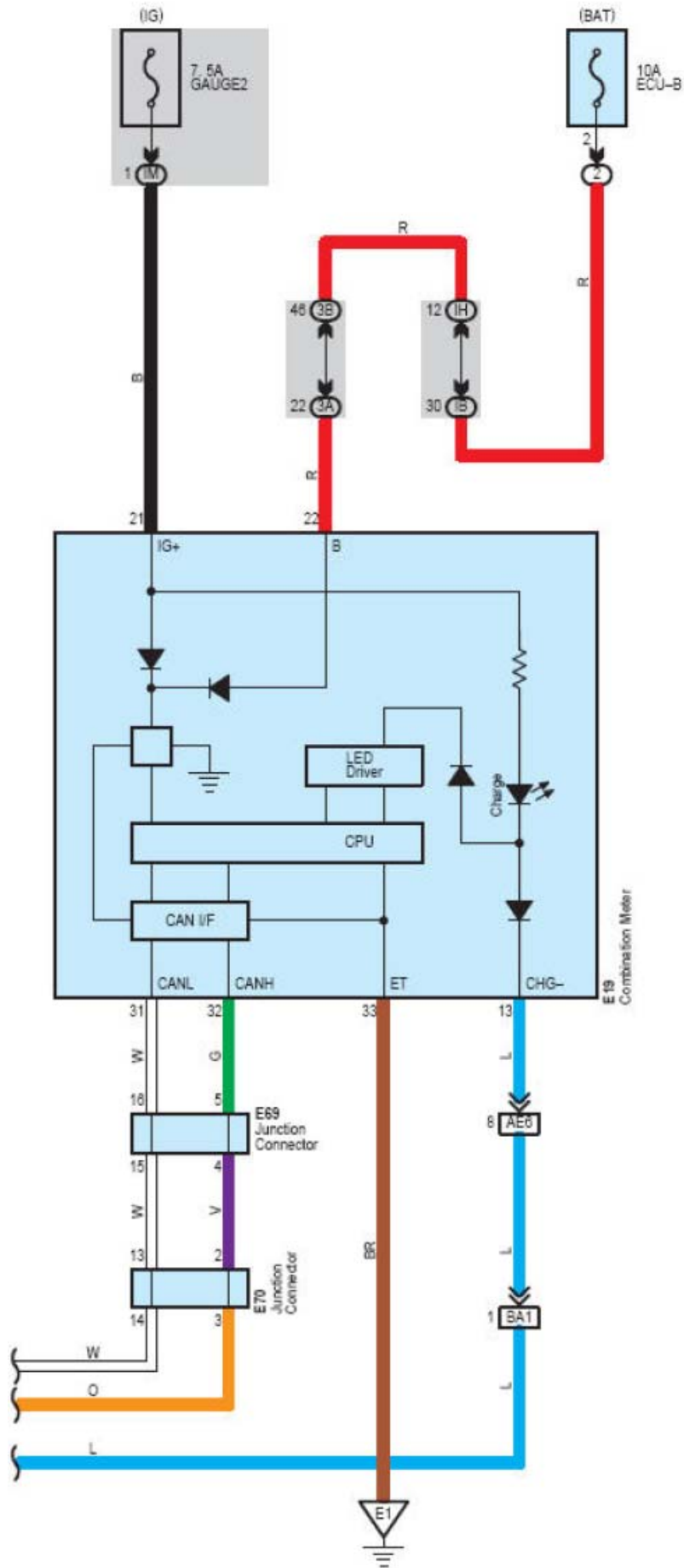


# Charging with Trailer Towing







**Relay Blocks**

Code	Relay Blocks (Relay Block Location)
2	Engine Room R/B No.2 (Engine Compartment Right)

**Junction Block and Wire Harness Connector**

Code	Junction Block and Wire Harness (Connector Location)
1D	Engine Wire and Engine Room J/B (Engine Compartment Left)
3A	Instrument Panel Wire and J/B No.3 (Instrument Panel Center)
3B_	Instrument Panel Wire and J/B No.3 (Instrument Panel Center)
IB	Engine Room Main Wire and Instrument Panel J/B (Cowl Side Left)
IH	Instrument Panel Wire and Instrument Panel J/B (Cowl Side Left)
IM	Instrument Panel Wire and Instrument Panel J/B (Cowl Side Left)

**Connector Joining Wire Harness and Wire Harness**

Code	Joining Wire Harness and Wire Harness (Connector Location)
AE4	Engine Room Main Wire and Instrument Panel Wire (Left Side of the Instrument Panel)
AE6_	Engine Room Main Wire and Instrument Panel Wire (Left Side of the Instrument Panel)
BA1	Engine Wire and Engine Room Main Wire (Inside of the Engine Room R/B No.1 and Engine Room J/B No.1)

**Ground Points**

Code	Ground Points Location
E1	Left Kick Panel