

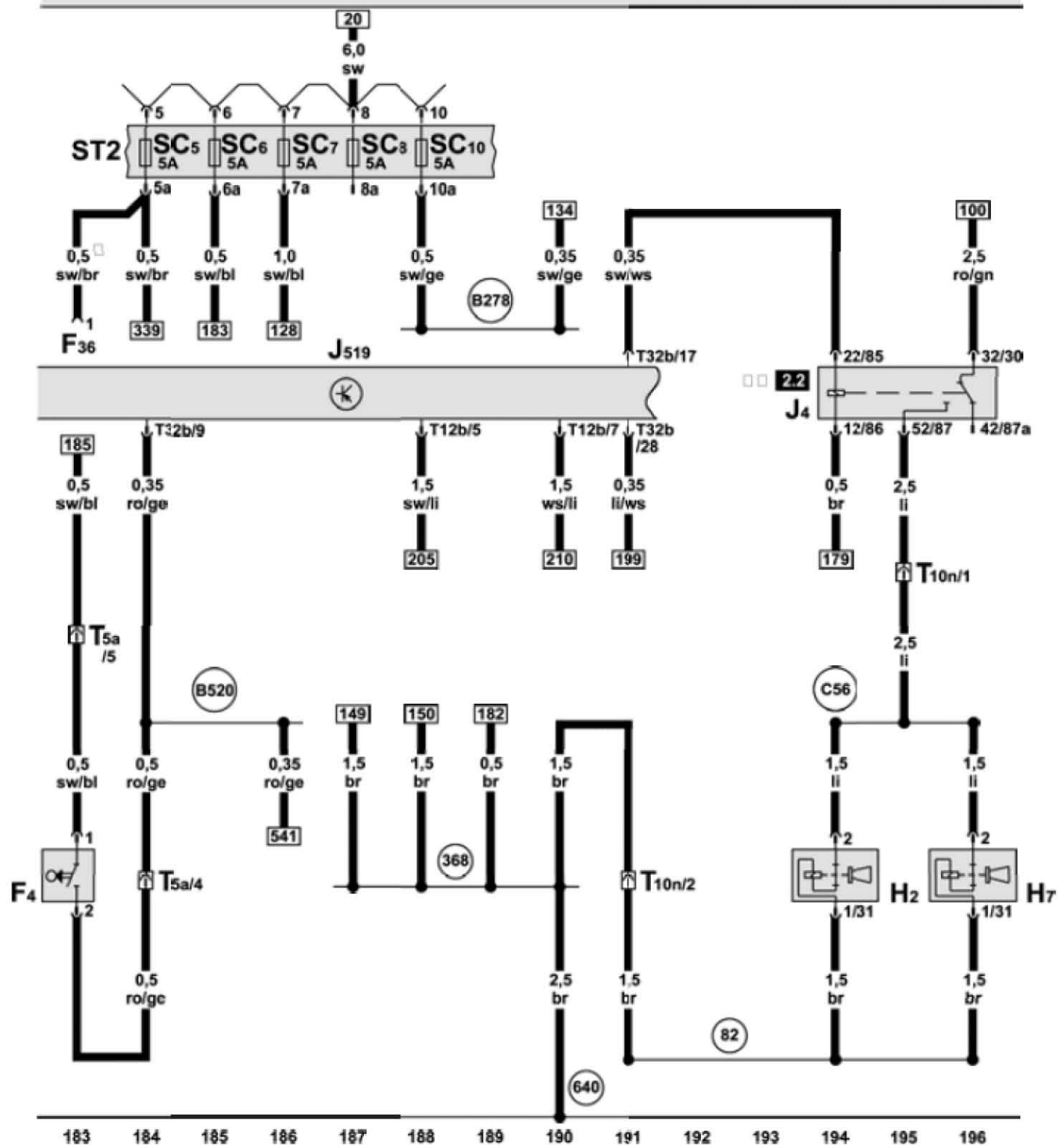
ws = white    sw = black    ro = red    br = brown    gn = green    bl = blue  
 gr = grey    li = purple    ge = yellow    or = orange    rs = pink

Onboard supply control unit, headlight washer system relay, bonnet contact switch, fog light bulb, footwell light

- F266 - Bonnet contact switch
- J39 - Headlight washer system relay
- J519 - Onboard supply control unit
- L22 - Left fog light bulb
- L23 - Right fog light bulb
- T6d - 6-pin connector, black, in front right engine compartment

- T10a - 10-pin connector, black, on onboard supply control unit
- T10n - 10-pin connector, black, in front left engine compartment
- T10o - 10-pin connector, black, in front right engine compartment
- T32b - 32-pin connector, grey, on onboard supply control unit
- V11 - Headlight washer system pump
- W9 - Left footwell light
- W10 - Right footwell light
- 377 - Earth connection 12, in main wiring harness
- 384 - Earth connection 19, in main wiring harness
- 457 - Earth connection 2, in front bumper wiring harness
- 644 - Earth point, on right in engine compartment
- 664 - Earth point, on left behind dash panel
- B324 - Positive connection 10 (30a), in main wiring harness
  - models with headlight washer system

LAUNCH



ws = white    sw = black    ro = red    br = brown    gn = green    bl = blue  
 gr = grey    li = purple    ge = yellow    or = orange    rs = pink

Onboard supply control unit, dual tone horn relay, reversing light switch, treble tone horn, bass tone horn, fuses

F4 - Reversing light switch

F36 - Clutch pedal switch

H2 - Treble tone horn

H7 - Bass tone horn

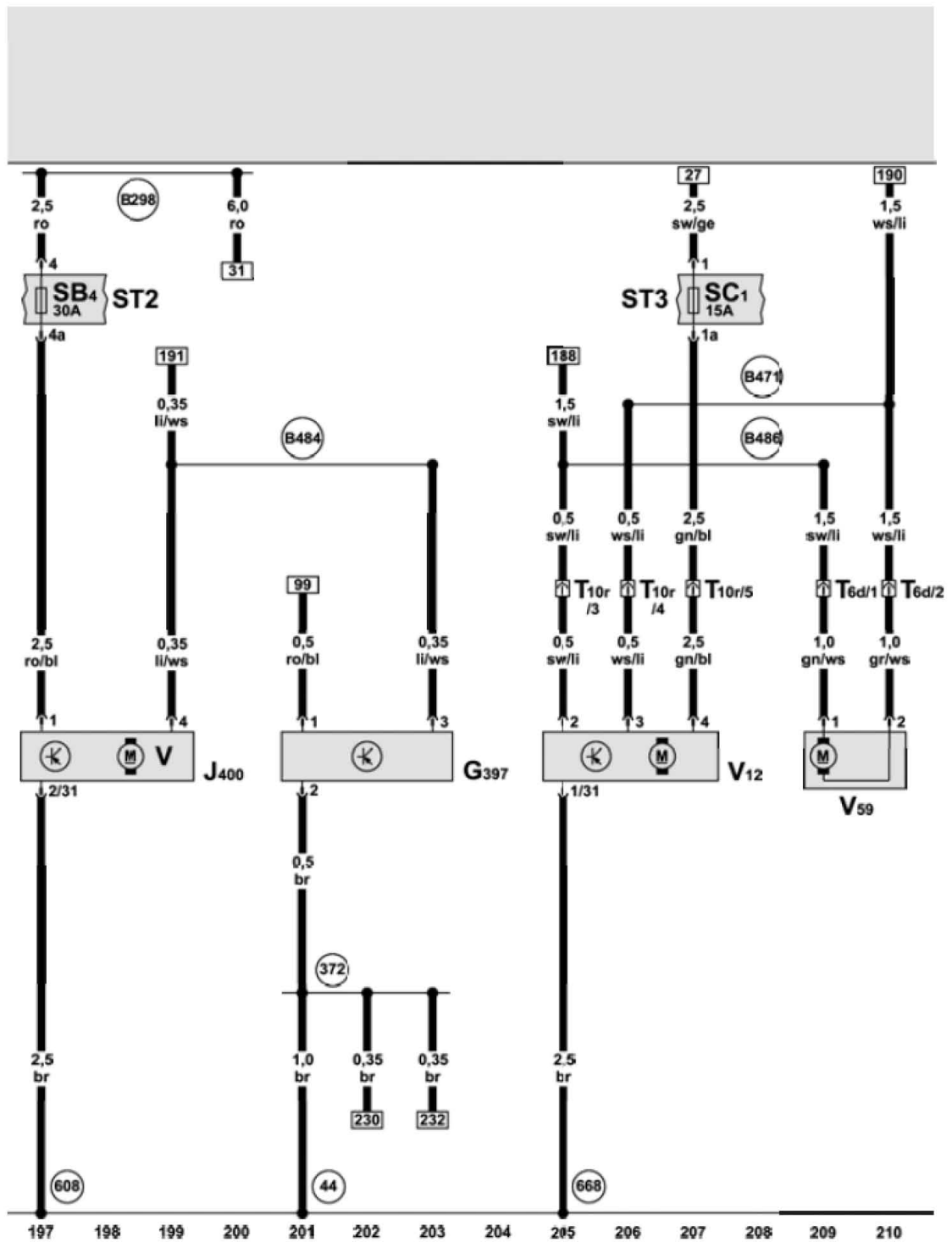
J4 - Dual tone horn relay

J519 - Onboard supply control unit

SC5 - Fuse 5 on fuse holder C

- SC6 - Fuse 6 on fuse holder C
- SC7 - Fuse 7 on fuse holder C
- SC8 - Fuse 8 on fuse holder C
- SC10 - Fuse 10 on fuse holder C
- T5a - 5-pin connector, black, to shift gearbox
- T10n - 10-pin connector, black, in front left engine compartment
- T12b - 12-pin connector, black, on onboard supply control unit
- T32b - 32-pin connector, grey, on onboard supply control unit
- 82 - Earth connection 1, in front left wiring harness
- 368 - Earth connection 3, in main wiring harness
- 640 - Earth point, left in engine compartment
- B278 - Positive connection 2 (15a), in main wiring harness
- B520 - Connection (RL), in main wiring harness
- C56 - Connection (87), in front left wiring harness
  - models with manual gearbox
  - models with automatic gearbox see automatic gearbox Current Flow Diagram
  - relay and fuse carrier centre dash panel

LAUNCH



ws = white    sw = black    ro = red    br = brown    gn = green    bl = blue

gr = grey    li = purple    ge = yellow    or = orange    rs = pink

Rain and light detector sensor, wiper motor control unit, windscreen wiper motor, rear window wiper motor, windscreen and rear window washer pump

G397 - Rain and light detector sensor

J400 - Wiper motor control unit

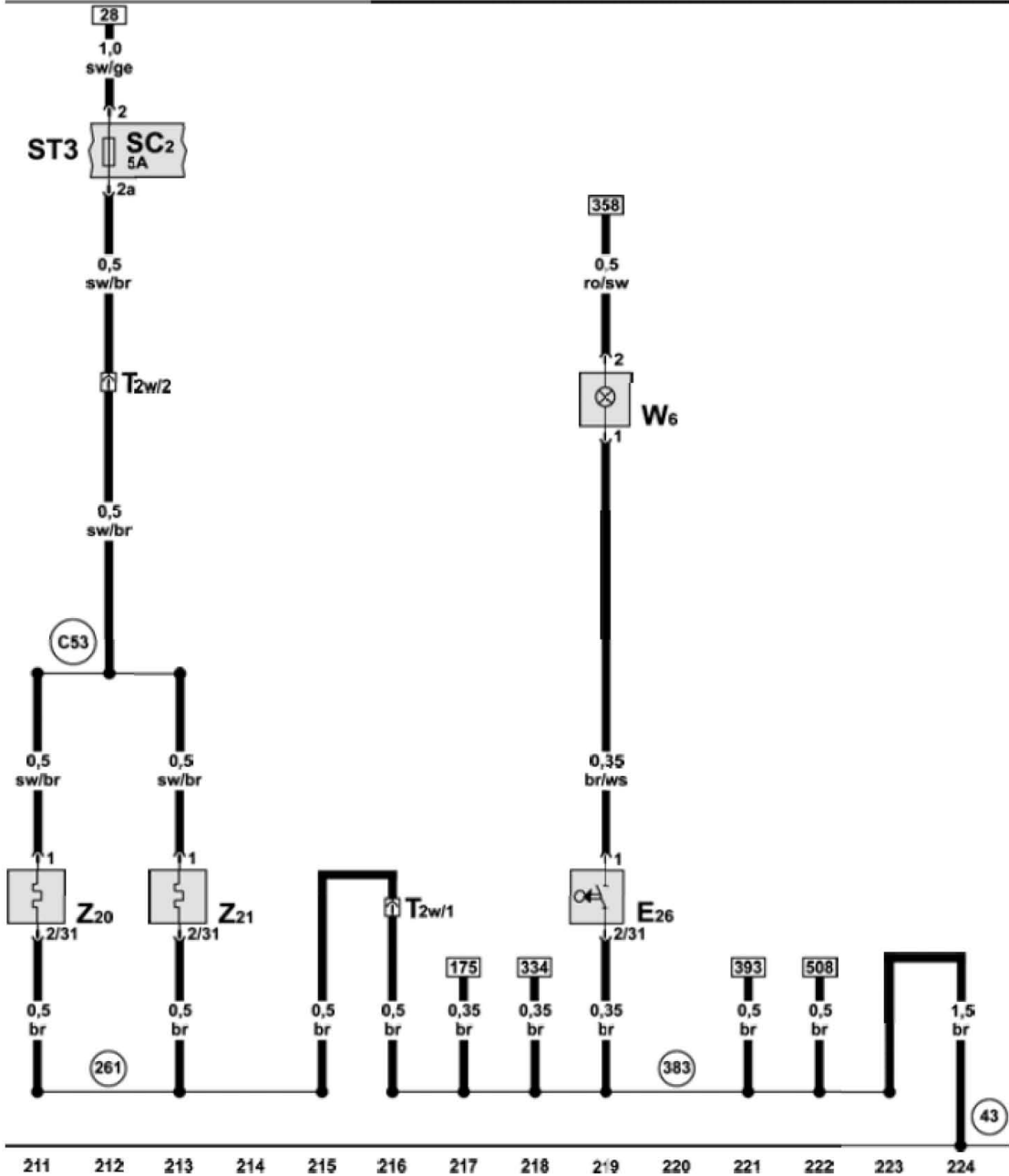
SB4 - Fuse 4 on fuse holder B

SC1 - Fuse 1 on fuse holder C

T6d - 6-pin connector, black, in front right engine compartment

T10r - 10-pin connector, red, coupling rear lid  
V - Windscreen wiper motor  
V12 - Rear window wiper motor  
V59 - Windscreen and rear window washer pump  
44 - Earth point, lower part of left A-pillar  
372 - Earth connection 7, in main wiring harness  
608 - Earth point, in centre of plenum chamber  
668 - Earth point 2, left D-pillar  
B298 - Positive connection 2 (30), in main wiring harness  
B471 - Connection 7, in main wiring harness  
B484 - Connection 20, in main wiring harness  
B486 - Connection 22, in main wiring harness

LAUNCH



ws = white    sw = black    ro = red    br = brown    gn = green    bl = blue  
 gr = grey    li = purple    ge = yellow    or = orange    rs = pink

Glove compartment light switch, glove compartment light, washer jet heater element

E26 - Glove compartment light switch

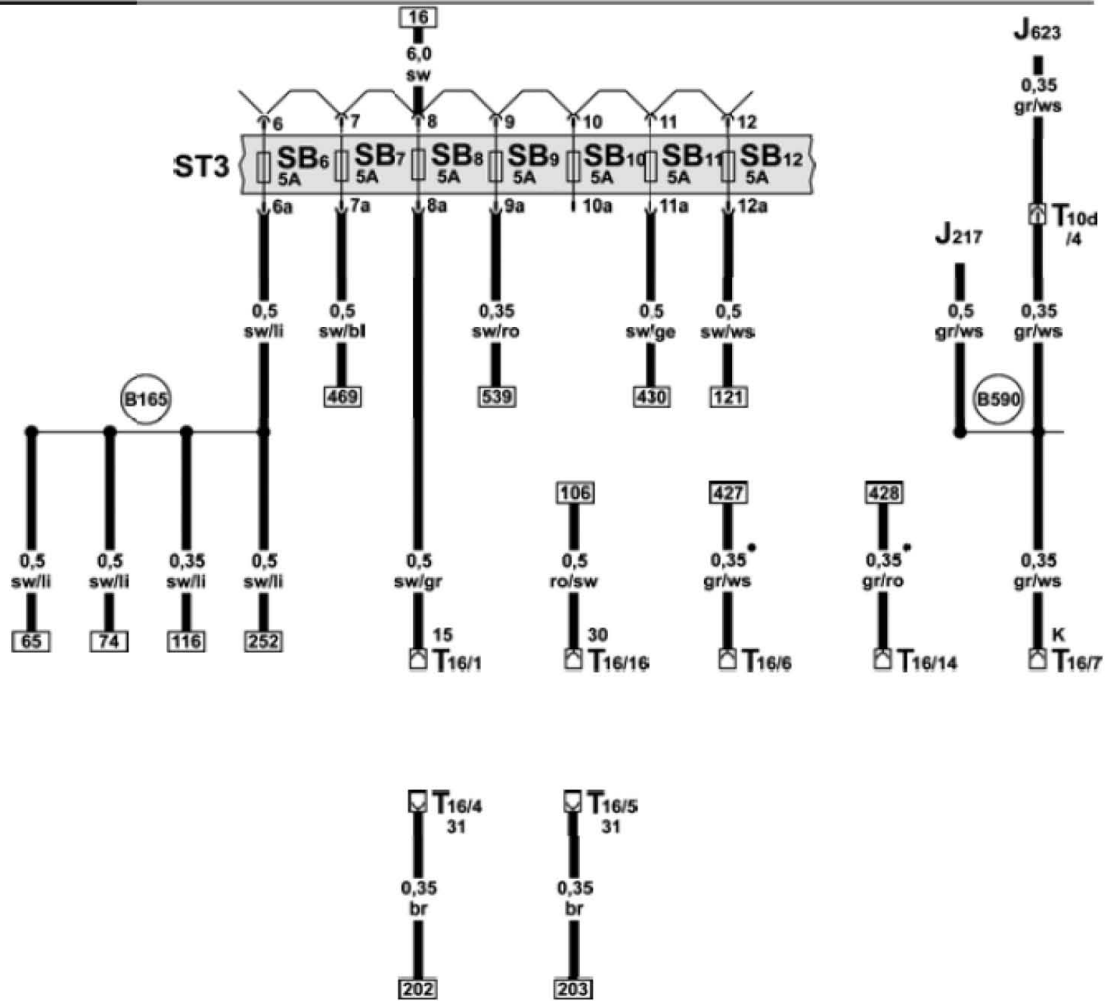
SC2 - Fuse 2 on fuse holder C

T2w - 2-pin connector, black, on right in plenum chamber

W6 - Glove compartment light

Z20 - Left washer jet heater element

- Z21 - Right washer jet heater element
- 43 - Earth point, lower part of right A-pillar
- 261 - Earth connection, in heated washer jet wiring harness
- 383 - Earth connection 18, in main wiring harness
- C53 - Positive connection (x), in heated washer jets wiring harness

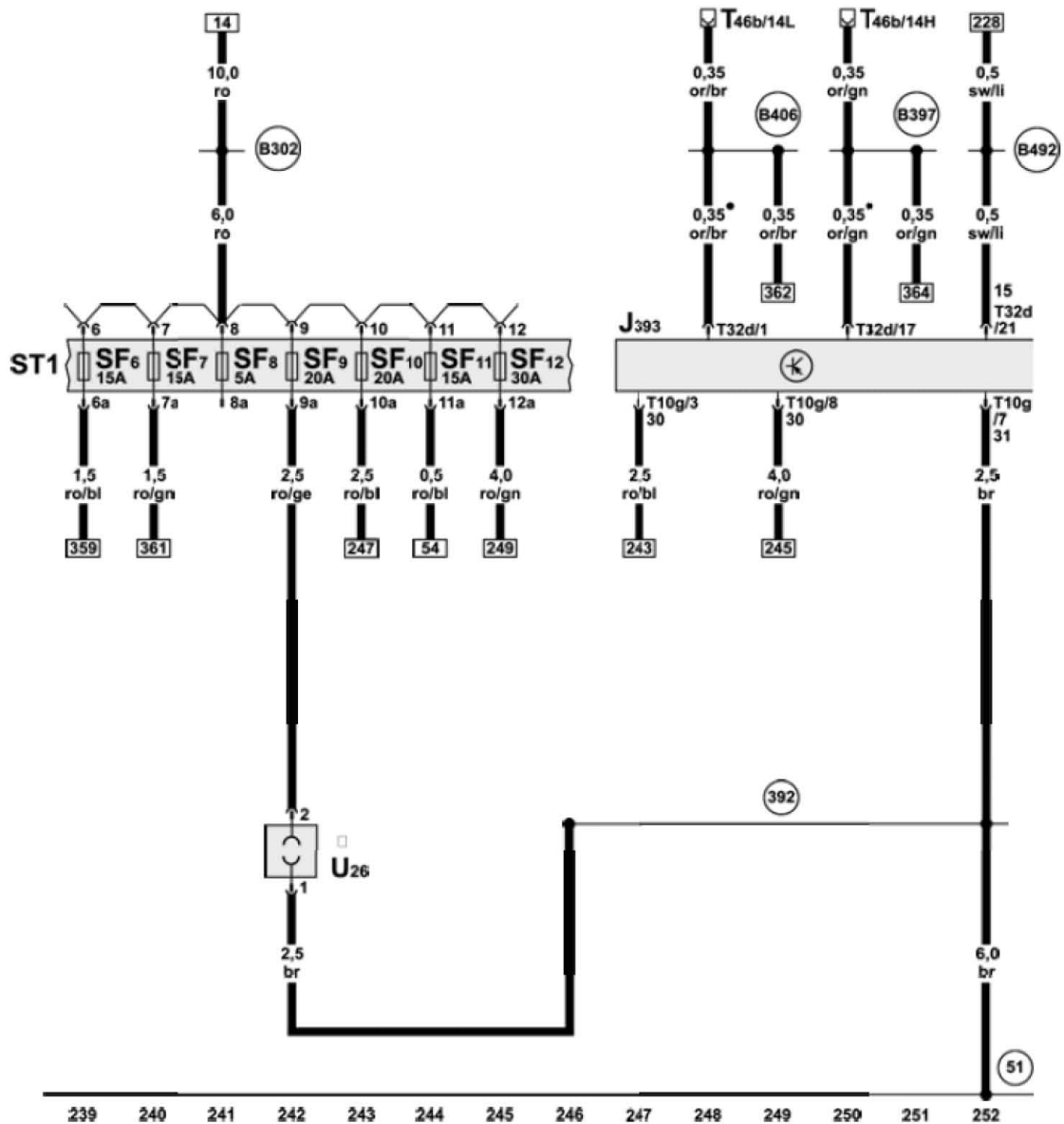
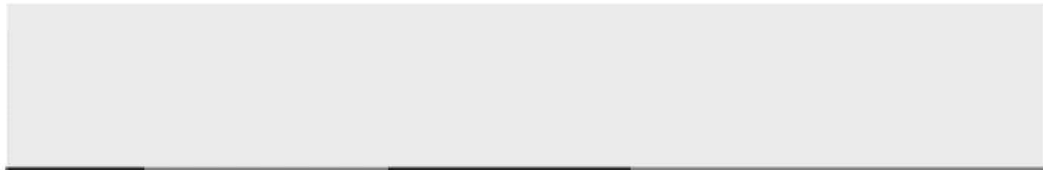


225	226	227	228	229	230	231	232	233	234	235	236	237	238
ws = white	sw = black	ro = red	br = brown	gn = green	bl = blue	gr = grey	li = purple	ge = yellow	or = orange	rs = pink			

- Diagnostic connector, fuses
- J217 - Automatic gearbox control unit
- J623 - Engine control unit
- SB6 - Fuse 6 on fuse holder B
- SB7 - Fuse 7 on fuse holder B



- SB8 - Fuse 8 on fuse holder B
- SB9 - Fuse 9 on fuse holder B
- SB10 - Fuse 10 on fuse holder B
- SB11 - Fuse 11 on fuse holder B
- SB12 - Fuse 12 on fuse holder B
- T10d -10-pin connector, blue, coupling station on electronics box, plenum chamber
- T16 - 16-pin connector, diagnosis socket
- B165 - Positive connection 2 (15), in interior wiring harness
- B590 - K diagnosis connection, interior wiring harness
  - CAN bus (data wire)



ws = white    sw = black    ro = red    br = brown    gn = green    bl = blue  
gr = grey    li = purple    ge = yellow    or = orange    rs = pink

Convenience system central control unit, 12 V socket 5, fuses

J393 - Convenience system central control unit

SF6 - Fuse 6 on fuse holder F

SF7 - Fuse 7 on fuse holder F

SF8 - Fuse 8 on fuse holder F

SF9 - Fuse 9 on fuse holder F

SF10 - Fuse 10 on fuse holder F

SF11 - Fuse 11 on fuse holder F

SF12 - Fuse 12 on fuse holder F

T10g -10-pin connector, black, on convenience system central control unit

T32d - 32-pin connector, on convenience system central control unit

T46b - 46-pin connector, black, CAN separating connector right

U26 - 12 V socket 5

51 - Earth point, on right in luggage compartment

392 - Earth connection 27, in main wiring harness

B302 - Positive connection 6 (30), in main wiring harness

B397 -Connection 1 (convenience CAN bus, high), in main wiring harness

B406 -Connection 1 (convenience CAN bus, low), in main wiring harness

B492 - Positive connection 3 (15), in interior wiring harness

- CAN bus (data wire)

- on right in luggage compartment