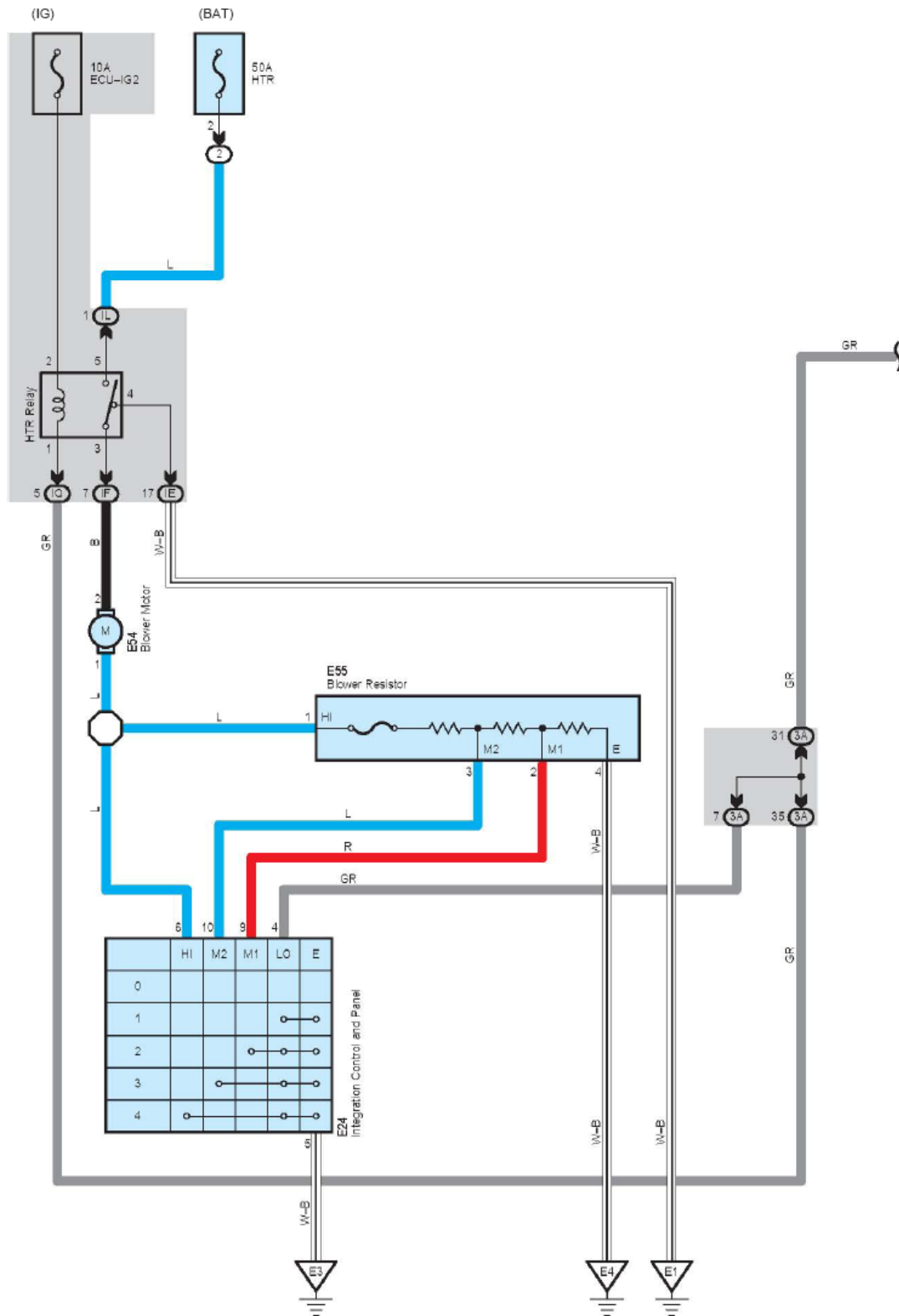
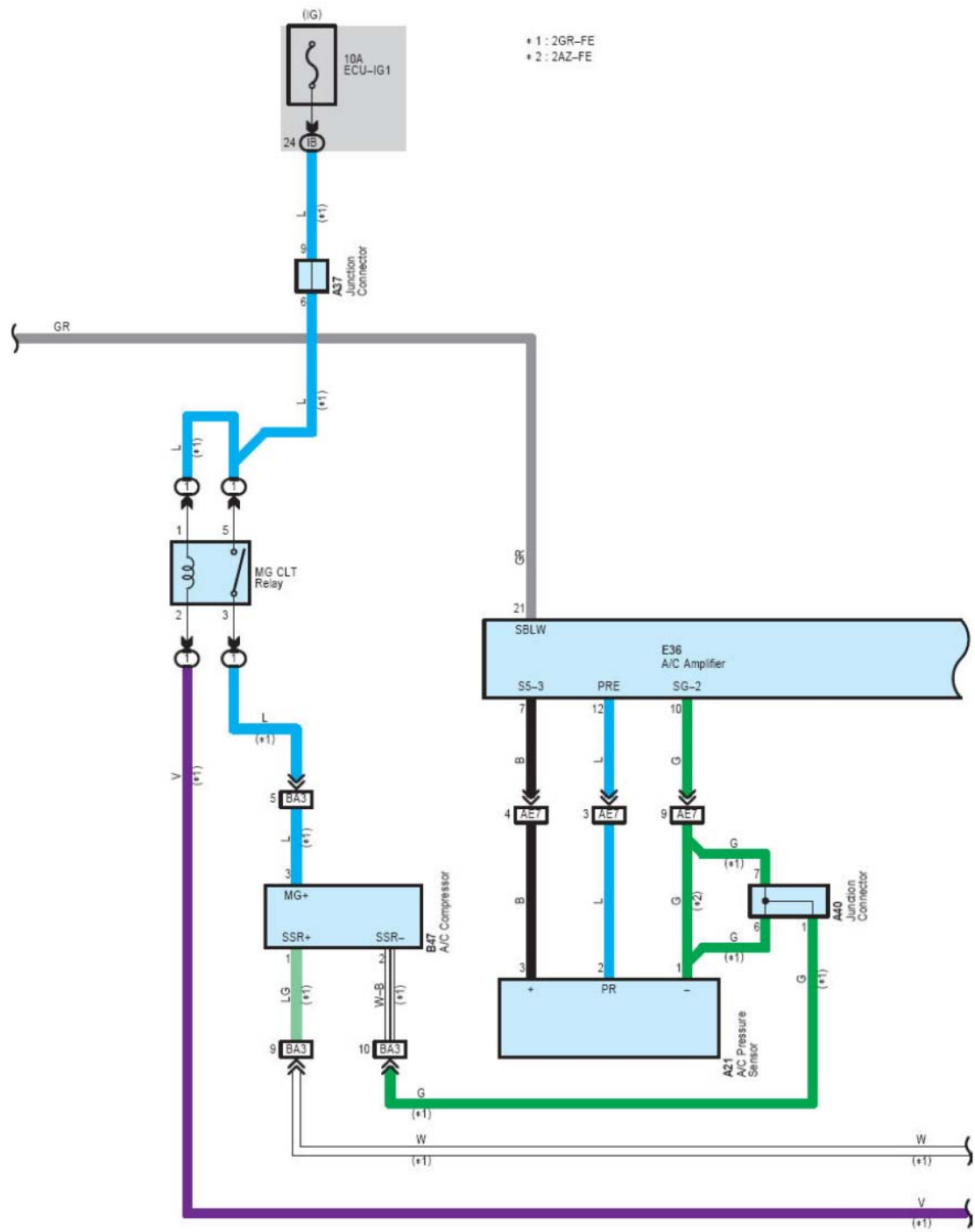
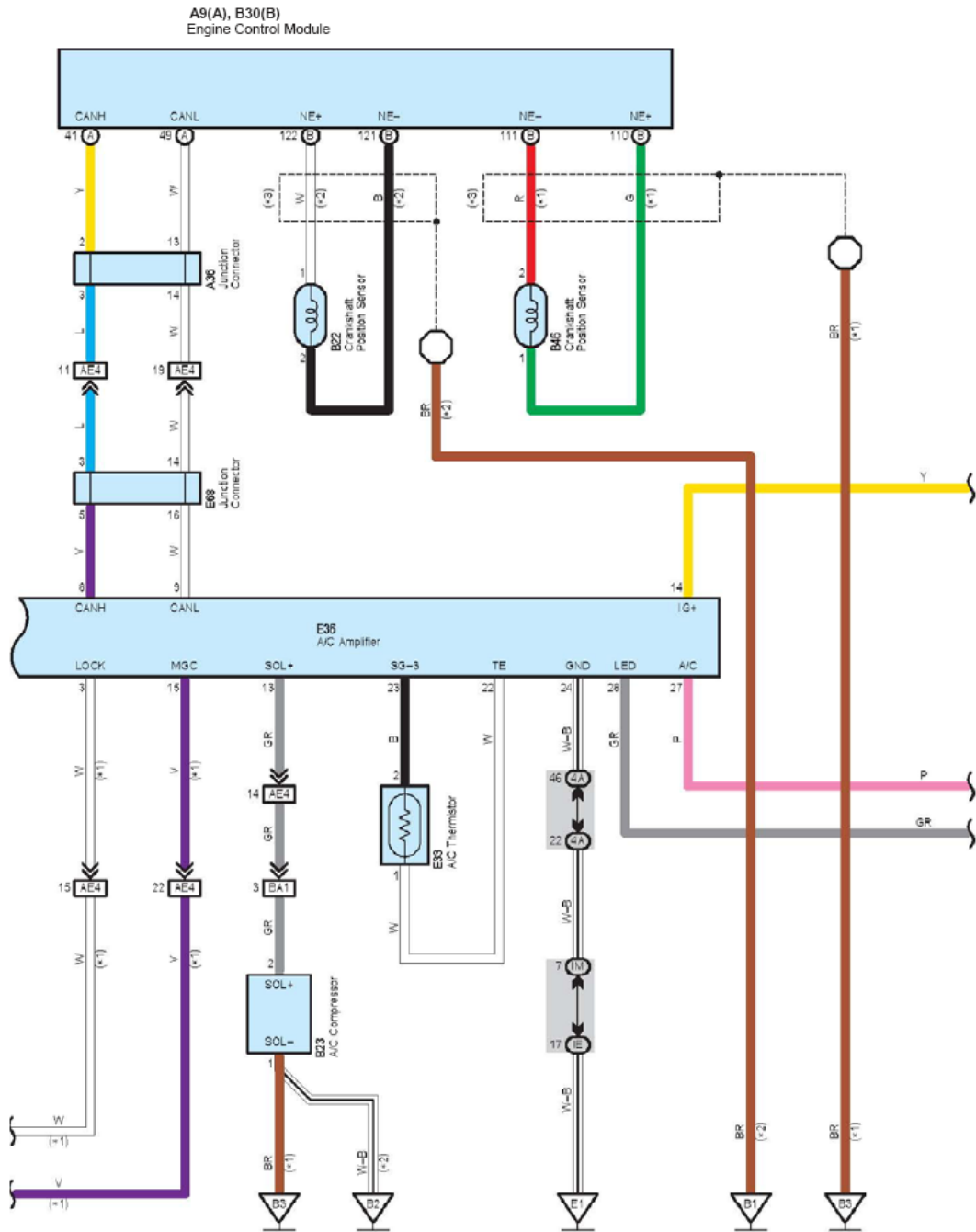


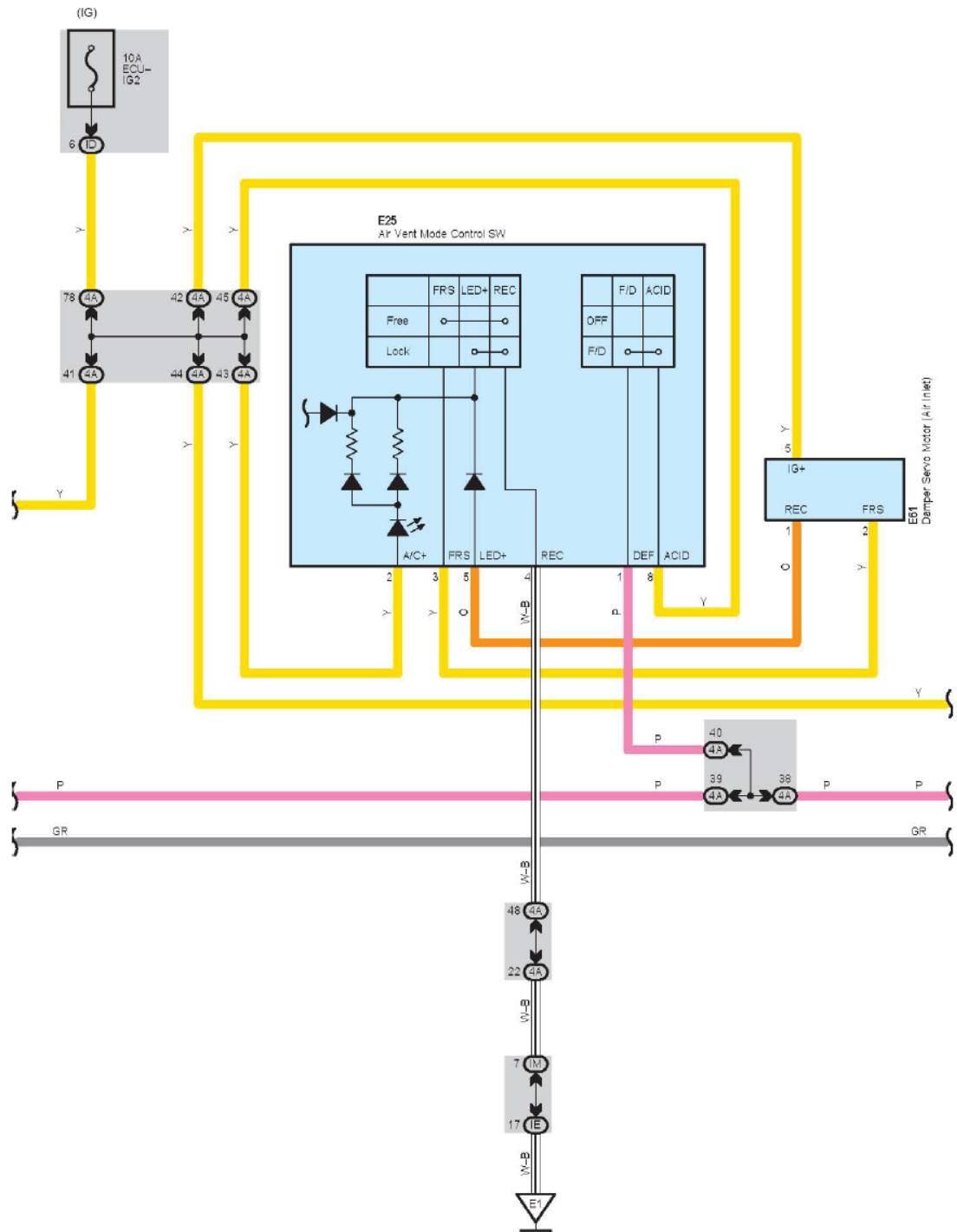
# Manual Air Conditioning

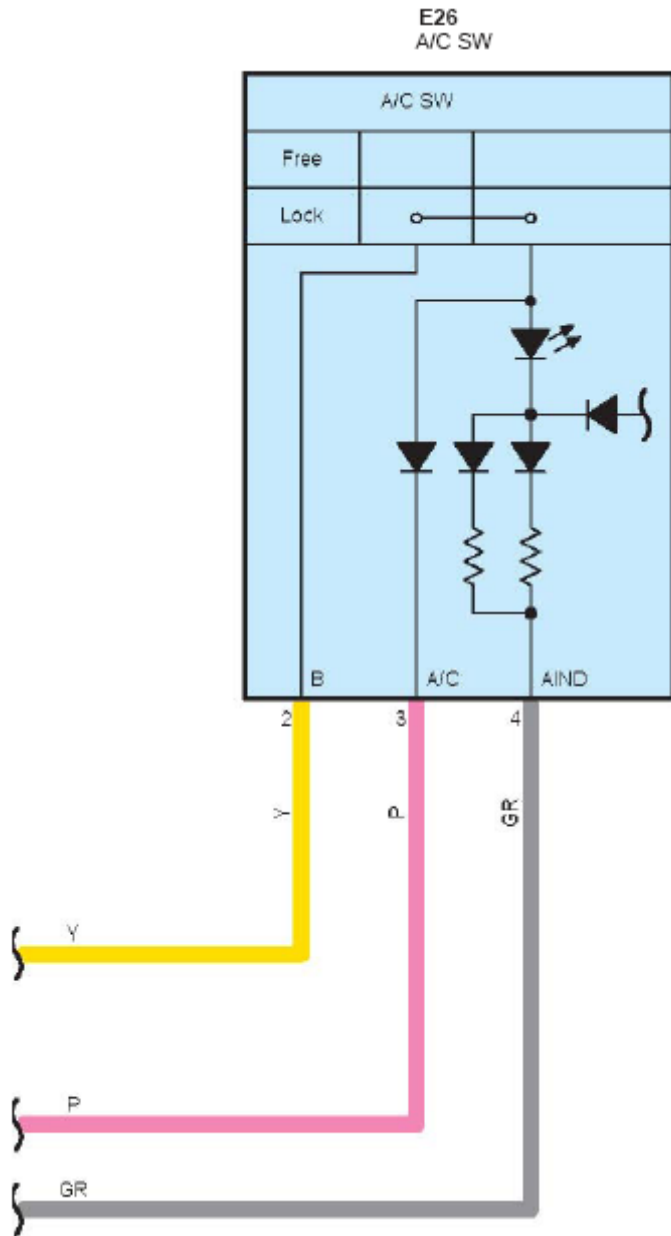




- \* 1: 2GR-FE
- \* 2: 2AZ-FE







LAUNCH

### Relay Blocks

Code	Relay Blocks (Relay Block Location)
1	Engine Room R/B No.1 (Engine Compartment Left)Engine Room R/B No.1 (Engine Compartment Left)
2	Engine Room R/B No.2 (Engine Compartment Right)Engine Room R/B No.2 (Engine Compartment Right)

### Junction Block and Wire Harness Connector

Code	Junction Block and Wire Harness (Connector Location)
3A	Instrument Panel Wire and J/B No.3 (Instrument Panel Center)
4A	Instrument Panel Wire and J/B No.4 (Instrument Panel Center)
IB	Engine Room Main Wire and Instrument Panel J/B (Cowl Side Left)
ID	Instrument Panel Wire and Instrument Panel J/B (Cowl Side Left)Instrument Panel Wire and Instrument Panel J/B (Cowl Side Left)
IE _	
IF _	
IL _	
IM	
IQ _	

### Connector Joining Wire Harness and Wire Harness

Code	Joining Wire Harness and Wire Harness (Connector Location)
AE4	Engine Room Main Wire and Instrument Panel Wire (Left Side of the Instrument Panel)
AE7	Engine Room Main Wire and Instrument Panel Wire (Right Side of the Instrument Panel)
BA1	Engine Wire and Engine Room Main Wire (Inside of the Engine Room R/B No.1 and Engine Room J/B No.1)Engine Wire and Engine Room Main Wire (Inside of the Engine Room R/B No.1 and Engine Room J/B No.1)
BA3	

### Ground Points

Code	Ground Points Location
B1	Left Side of the Cylinder HeadLeft Side of the Cylinder Head
B2 _	
B3	
E1	Left Kick Panel
E3	Instrument Panel Reinforcement Center
E4	Right Kick Panel