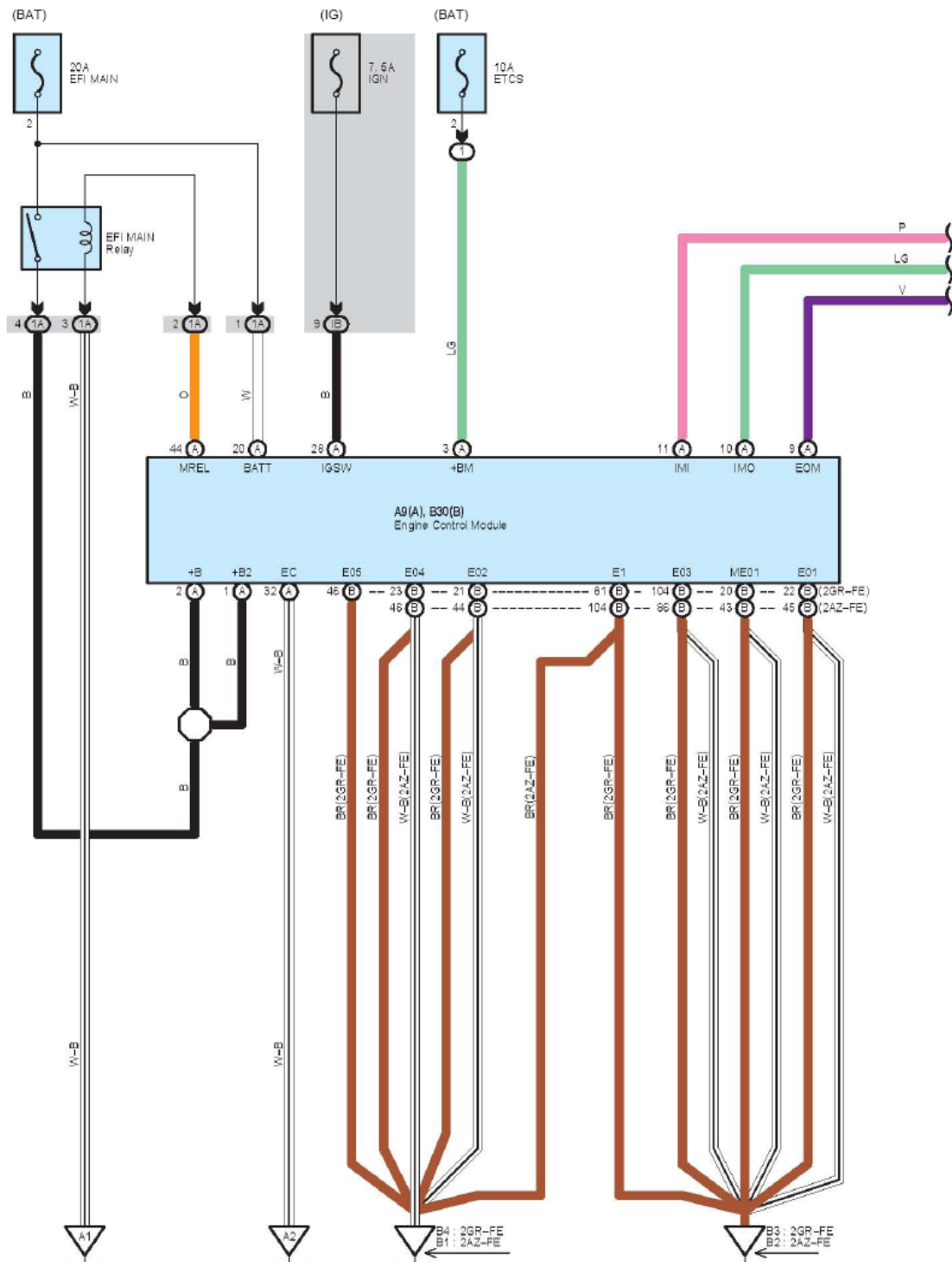
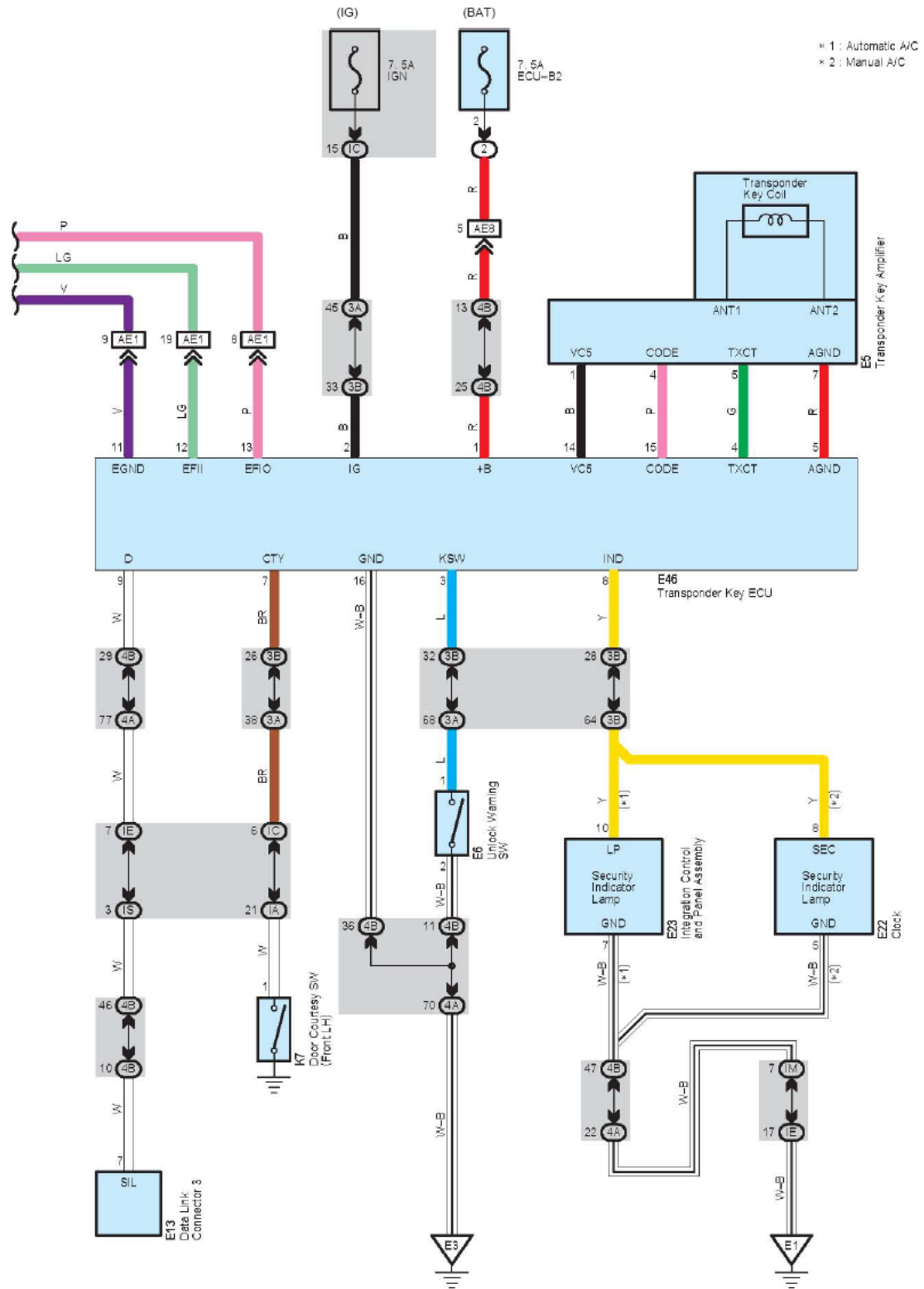


### Engine Immobiliser System





### Relay Blocks

Code	Relay Blocks (Relay Block Location)
1	Engine Room R/B No.1 (Engine Compartment Left)Engine Room R/B No.1 (Engine Compartment Left)
2	Engine Room R/B No.2 (Engine Compartment Right)Engine Room R/B No.2 (Engine Compartment Right)

### Junction Block and Wire Harness Connector

Code	Junction Block and Wire Harness (Connector Location)
1A	Engine Room Main Wire and Engine Room J/B (Engine Compartment Left)
3A	Instrument Panel Wire and J/B No.3 (Instrument Panel Center)Instrument Panel Wire and J/B No.3 (Instrument Panel Center)
3B _	
4A	Instrument Panel Wire and J/B No.4 (Instrument Panel Center)Instrument Panel Wire and J/B No.4 (Instrument Panel Center)
4B _	
IA	Floor Wire and Instrument Panel J/B (Cowl Side Left)
IB	Engine Room Main Wire and Instrument Panel J/B (Cowl Side Left)
IC	Instrument Panel Wire and Instrument Panel J/B (Cowl Side Left)Instrument Panel Wire and Instrument Panel J/B (Cowl Side Left)
IE _	
IM	
IS _	

### Connector Joining Wire Harness and Wire Harness

Code	Joining Wire Harness and Wire Harness (Connector Location)
AE1	Engine Room Main Wire and Instrument Panel Wire (Left Side of the Instrument Panel)
AE8	Engine Room Main Wire and Instrument Panel Wire (Right Side of the Instrument Panel)

### Ground Points

See Page	Ground Points Location
64 (2GR-FE) 65 (2AZ-FE)	Front Left Fender
64 (2GR-FE) 65 (2AZ-FE)	
65 (2AZ-FE)65 (2AZ-FE)	Left Side of the Cylinder HeadLeft Side of the Cylinder Head
64 (2GR-FE)64 (2GR-FE)	
66	Left Kick Panel
E3	Instrument Panel Reinforcement Center