

SRS

NOTICE: When inspecting or repairing the SRS, perform service in accordance with the following precautionary instructions and the procedure, and precautions in the Repair Manual applicable for the model year.

Malfunction symptoms of the SRS are difficult to confirm, so the DTCs become the most important source of information when troubleshooting. When troubleshooting the SRS, always inspect the DTCs before disconnecting the battery.

Work must be started more than 90 seconds after the ignition SW is turned to the "LOCK" position and the negative (-) terminal cable is disconnected from the battery. (The SRS is equipped with a back-up power source so that if work is started within 90 seconds from disconnecting the negative (-) terminal cable of the battery, the SRS may deploy.)

When the negative (-) terminal cable is disconnected from the battery, the memory of the clock and audio system will be cleared. So before starting work, make a record of the contents in the audio memory system. When work is finished, reset the audio systems as they were before and adjust the clock. Some vehicles have power tilt steering, power telescopic steering, power seat and power outside rear view mirror which are all equipped with memory function. However, it is not possible to make a record of these memory contents. So when the work is finished, it will be necessary to explain it to your customer, and ask the customer to adjust the features and reset the memory. To avoid erasing the memory in each system, never use a back-up power supply from outside the vehicle.

Before repair, remove the airbag sensor if shocks are likely to be applied to the sensor during repair.

Do not expose the following parts directly to hot air or flame;

Even in cases of a minor collision where the SRS does not deploy, the following parts should be inspected;

Never use SRS parts from another vehicle. When replacing parts, replace with new parts.

For the purpose of reuse, never disassemble and repair the following parts.

If the following parts have been dropped, or have cracks, dents and other defects in their case, bracket, and connector, replace with new one.

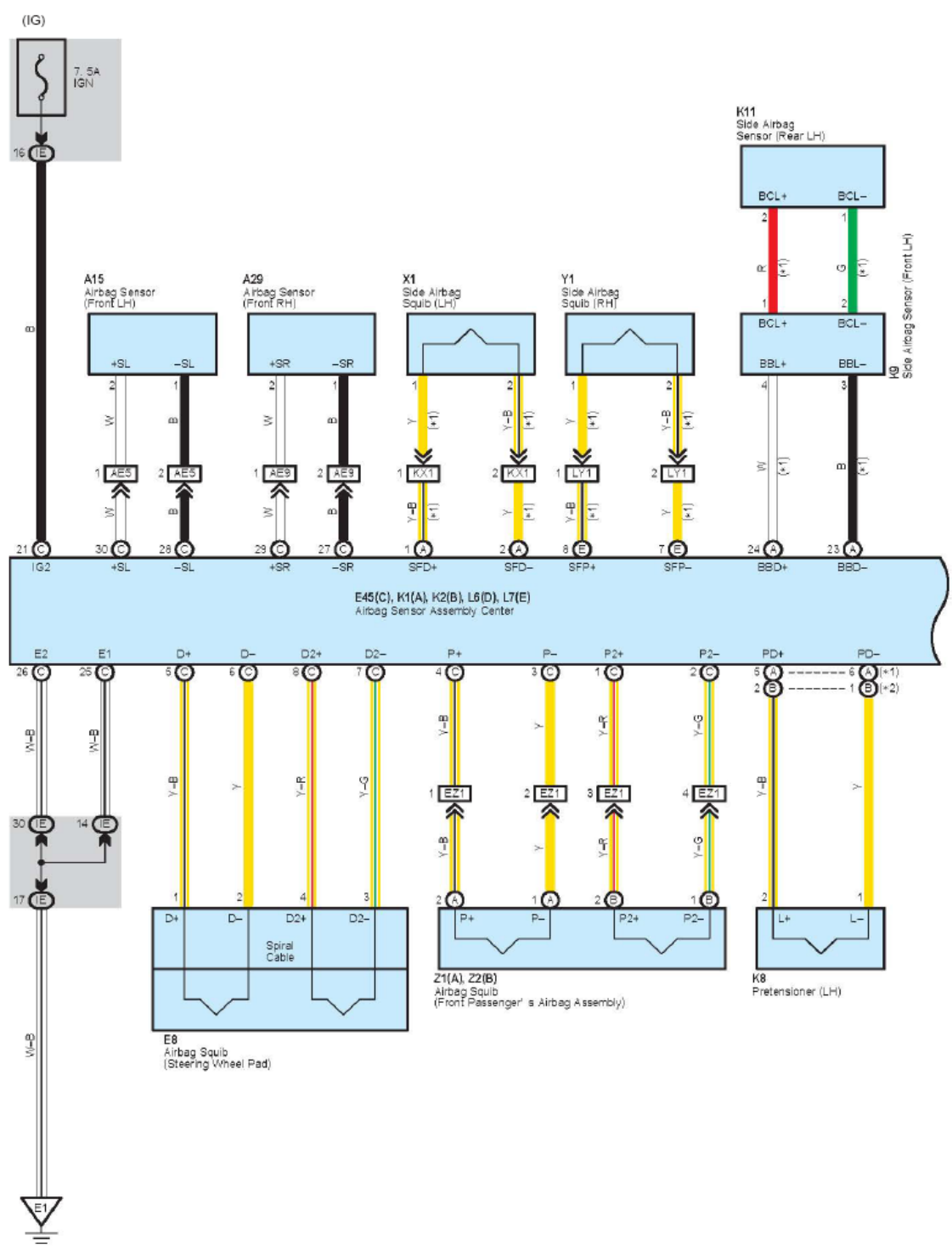
Use a volt/ohmmeter with high impedance (10 k Ω /V minimum) for troubleshooting electrical circuits of the system.

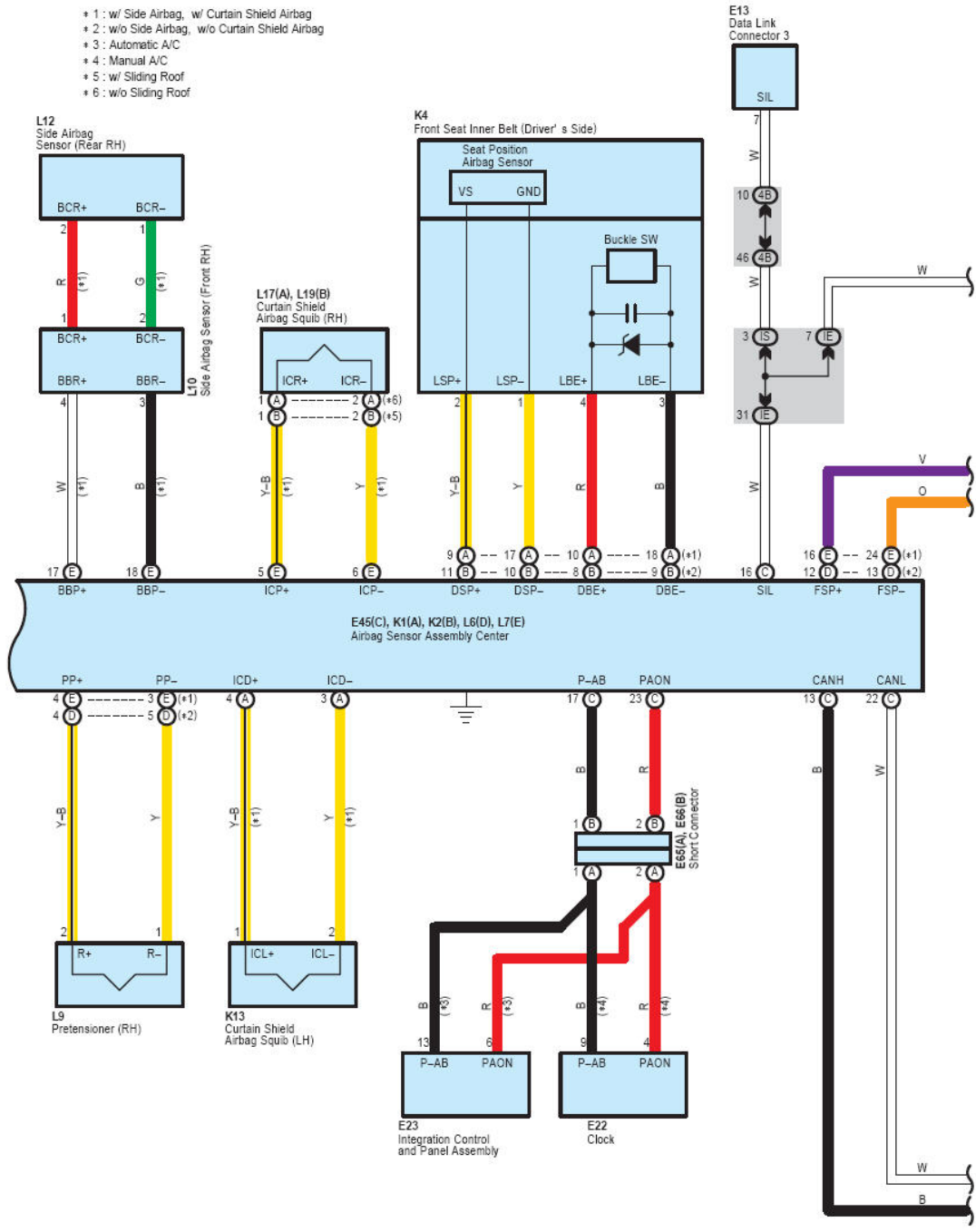
Information labels are attached to the periphery of the SRS components. Follow the instructions of the notice.

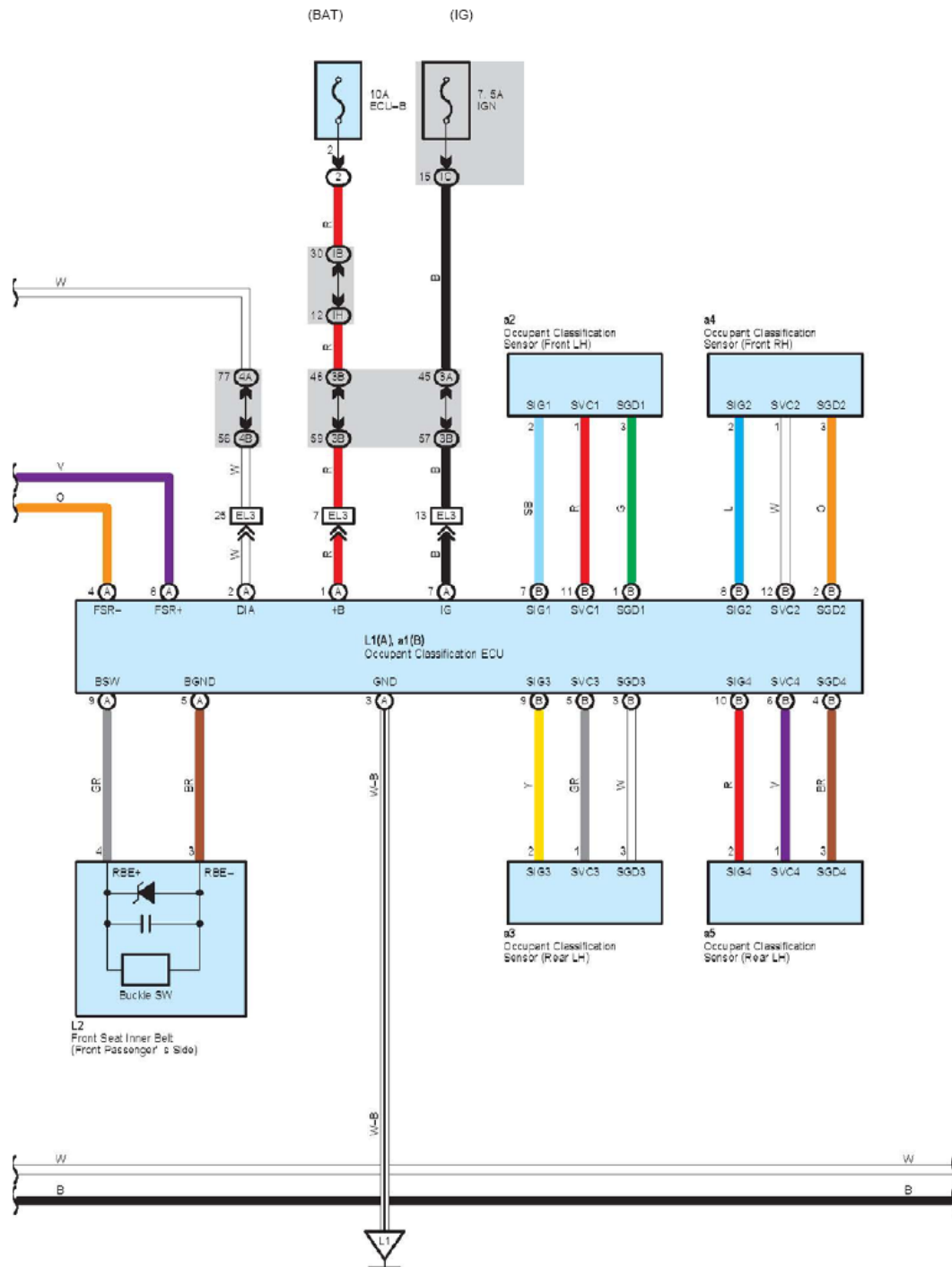
After work on the SRS is completed, check the SRS warning light.

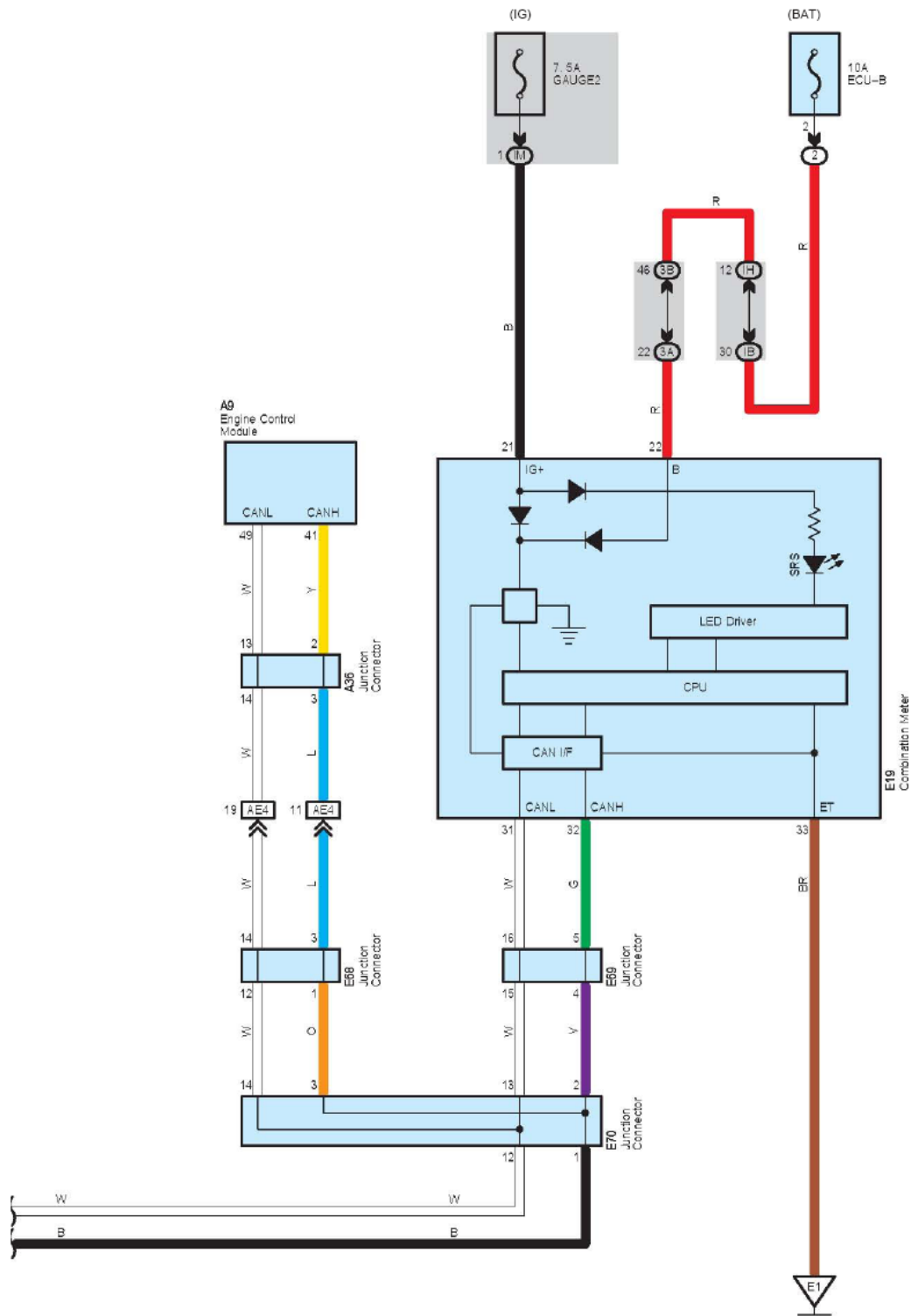
If the vehicle is equipped with a mobile communication system, refer to the precaution in the IN section of the Repair Manual.

Steering wheel pad
Front passenger airbag assembly
Side airbag assembly
Curtain shield airbag assembly
Seat belt pretensioner
Center airbag sensor assembly
Front airbag sensor assembly
Side airbag sensor assembly
Rear airbag sensor assembly









System Outline

The system reaches an ignition judgment to deploy the following device based on the signals received from the front airbag sensor and deceleration sensor.

Driver Airbag
Front Passenger Airbag
Seat Belt Pretensioner

The system reaches an ignition judgment to deploy the following device based on the signals received from the side airbag sensors.

Side Airbags
Curtain Shield Airbags

The dual-stage SRS airbag system has been used for the driver and front passenger airbags. This system controls the optimal airbag inflation by judging the extent of impact, seat position (driver seat), whether or not the seat belt is fastened (driver seat) and information from the front passenger occupant classification system.

The front passenger occupant classification system judges whether the front passenger seat is occupied by an adult or child (with child seat) or is unoccupied, according to the load applied to the front passenger seat and whether the seat belt is buckled. Based on the results, it restricts the deployment of the front passenger airbag, front passenger side airbag, and front passenger seat belt pretensioner. In addition, the system informs the driver of the result of the judgment through the use of the AIRBAG ON/OFF indicator lights.

A Roll Sensing Curtain Shield Airbag system has been adopted in order to deploy the curtain shield airbags and the pretensioners in the event that the vehicle rolls over.

The airbag sensor assembly transmits a signal to the engine control module in order to stop the fuel pump when the airbag is deployed.

Relay Blocks

Code	Relay Blocks (Relay Block Location)
2	Engine Room R/B No.2 (Engine Compartment Right)Engine Room R/B No.2 (Engine Compartment Right)

Junction Block and Wire Harness Connector

Code	Junction Block and Wire Harness (Connector Location)
3A	Instrument Panel Wire and J/B No.3 (Instrument Panel Center)Instrument Panel Wire and J/B No.3 (Instrument Panel Center)
3B _	
4A	Instrument Panel Wire and J/B No.4 (Instrument Panel Center)Instrument Panel Wire and J/B No.4 (Instrument Panel Center)
4B _	
IB	Engine Room Main Wire and Instrument Panel J/B (Cowl Side Left)
IC	Instrument Panel Wire and Instrument Panel J/B (Cowl Side Left)Instrument Panel Wire and Instrument Panel J/B (Cowl Side Left)
IE _	
IH _	
IM	
IS _	

Connector Joining Wire Harness and Wire Harness

Code	Joining Wire Harness and Wire Harness (Connector Location)
AE4	Engine Room Main Wire and Instrument Panel Wire (Left Side of the Instrument Panel)Engine Room Main Wire and Instrument Panel Wire (Left Side of the Instrument Panel)
AE5 _	
AE9	Engine Room Main Wire and Instrument Panel Wire (Right Side of the Instrument Panel)
EL3	Instrument Panel Wire and Floor No.2 Wire (Right Kick Panel)
EZ1	Instrument Panel Wire and Instrument Panel Wire Assembly (Behind the Glove Box)
KX1	Floor Wire and Seat Airbag Wire LH (Left Side of the Driver's Seat)
LY1	Floor No.2 Wire and Seat Airbag Wire RH (Under the Front Passenger's Seat)

Ground Points

Code	Ground Points Location
------	------------------------

E1	Left Kick Panel
L1	Right Center Pillar