

ws = white sw = black ro = red br = brown gn = green bl = blue
 gr = grey li = purple ge = yellow or = orange rs = pink

Preparation for mobile telephone (9ZF / 9ZG), telephone transmitter and receiver unit, microphone unit in front roof module, aerial for Bluetooth

R36 - Telephone transmitter and receiver unit

R152 - Aerial for Bluetooth

R164 - Microphone unit in front roof module

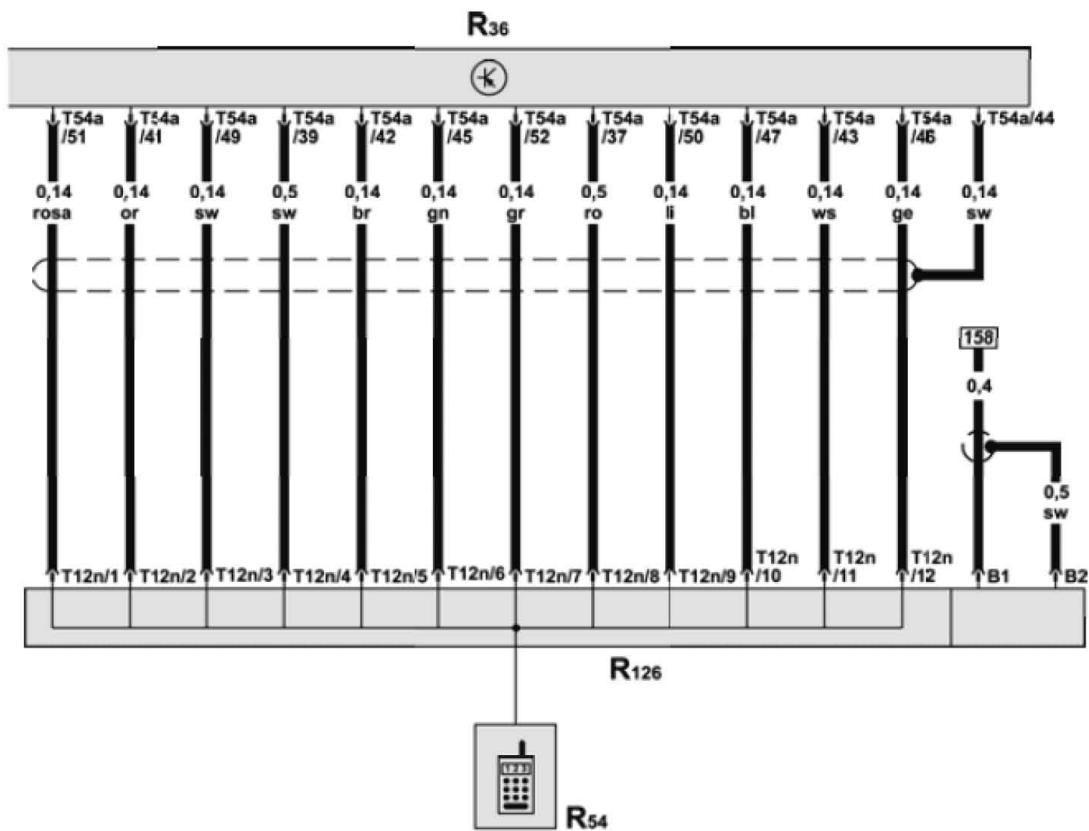
T6x - 6-pin connector, blue, on microphone unit in front roof module

T54a - 54-pin connector, on telephone transmitter and receiver unit

35 - Earth point, under front passenger seat

B330 - Positive connection 16 (30a), in main wiring harness

- Fibre optic conductor, see Current Flow Diagram infotainment data bus (Most Ring)



141	142	143	144	145	146	147	148	149	150	151	152	153	154
-----	-----	-----	-----	-----	-----	-----	-----	-----	-----	-----	-----	-----	-----

ws = white sw = black ro = red br = brown gn = green bl = blue
 gr = grey li = purple ge = yellow or = orange rs = pink

Telephone transmitter and receiver unit, mobile telephone, telephone bracket

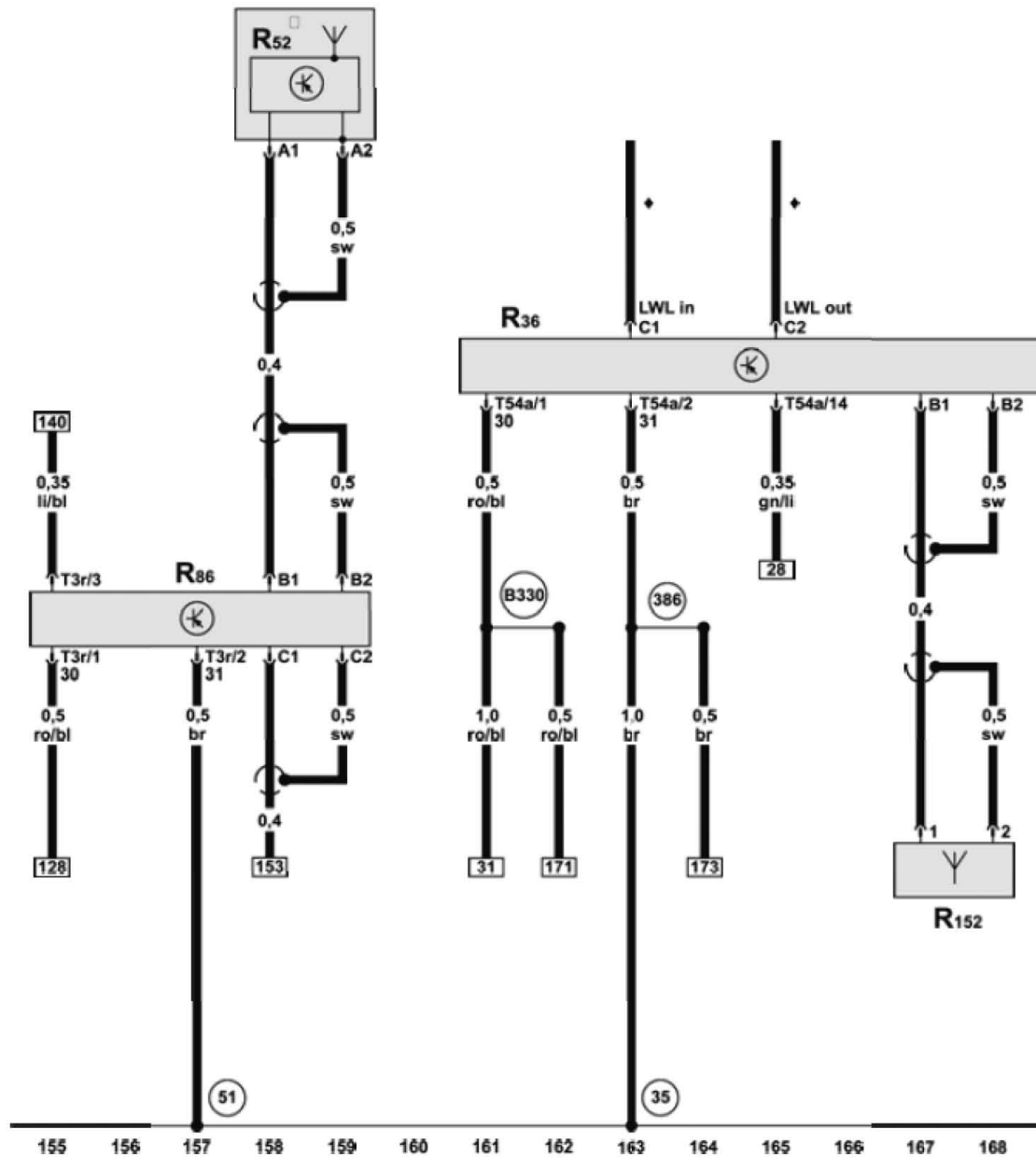
R36 - Telephone transmitter and receiver unit

R54 - Mobile telephone

R126 - Telephone bracket

T12n - 12-pin connector, black, on telephone bracket

T54a - 54-pin connector, on telephone transmitter and receiver unit



ws = white sw = black ro = red br = brown gn = green bl = blue
 gr = grey li = purple ge = yellow or = orange rs = pink

Bluetooth car phone(9ZW), telephone transmitter and receiver unit, telephone transmitter and receiver unit, aerial amplifier for mobile telephone, aerial for Bluetooth

R36 - Telephone transmitter and receiver unit

R52 - Radio, telephone and navigation system aerial

R86 - Aerial amplifier for mobile telephone

R152 - Aerial for Bluetooth

T3r - 3-pin connector, black, on aerial amplifier for mobile telephone

T54a - 54-pin connector, on telephone transmitter and receiver unit

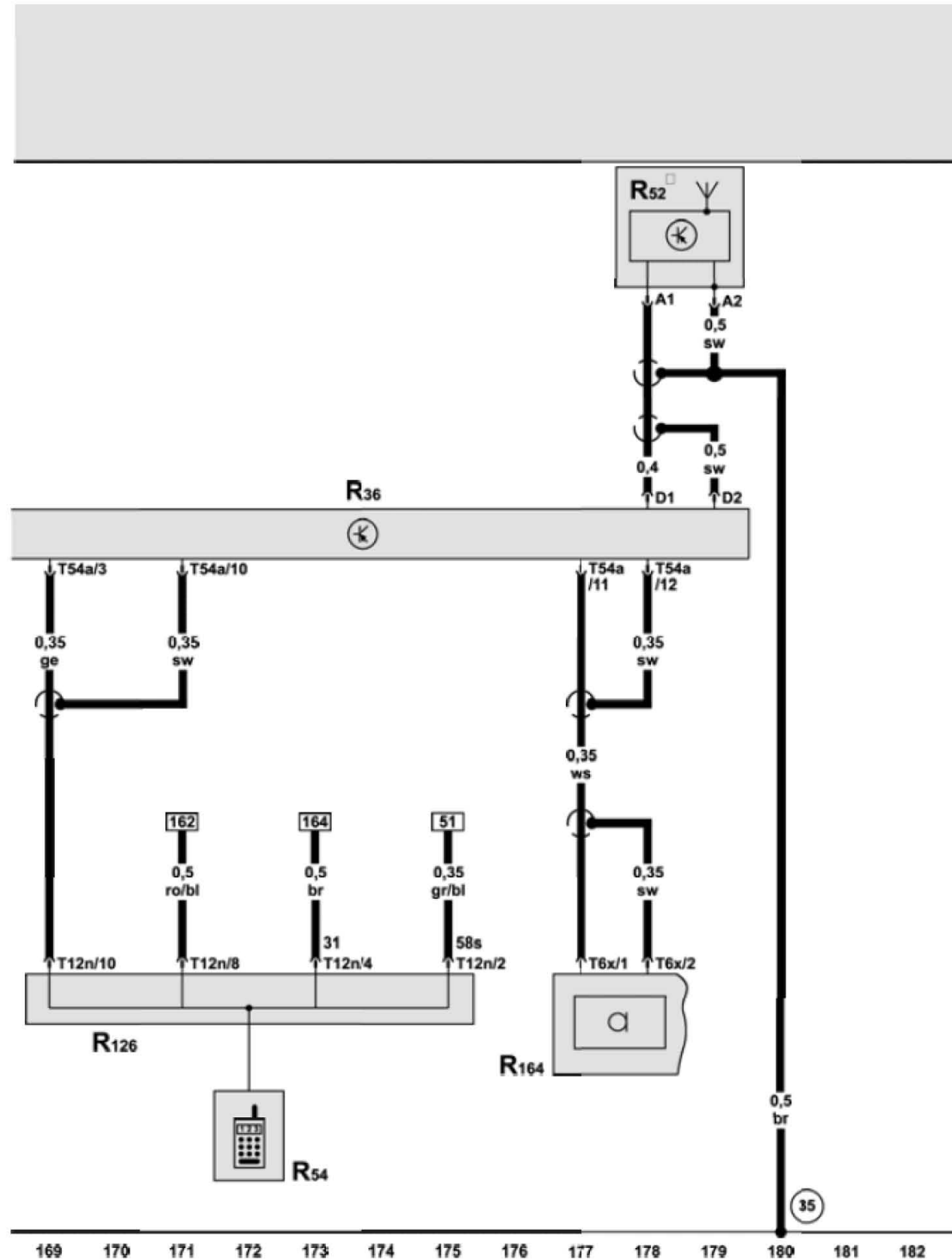
35 - Earth point, under front passenger seat

51 - Earth point, on right in luggage compartment

386 - Earth connection 21, in main wiring harness

B330 - Positive connection 16 (30a), in main wiring harness

- models with preparation for mobile telephone
- models with Bluetooth car phone
- Fibre optic conductor, see Current Flow Diagram infotainment data bus (Most Ring)



ws = white sw = black ro = red br = brown gn = green bl = blue
gr = grey li = purple ge = yellow or = orange rs = pink

Telephone transmitter and receiver unit, radio, telephone and navigation system aerial, mobile telephone, telephone bracket, microphone unit in front roof module

R36 - Telephone transmitter and receiver unit

R52 - Radio, telephone and navigation system aerial

R54 - Mobile telephone

R126 - Telephone bracket

R164 - Microphone unit in front roof module

T6x - 6-pin connector, blue, on microphone unit in front roof module

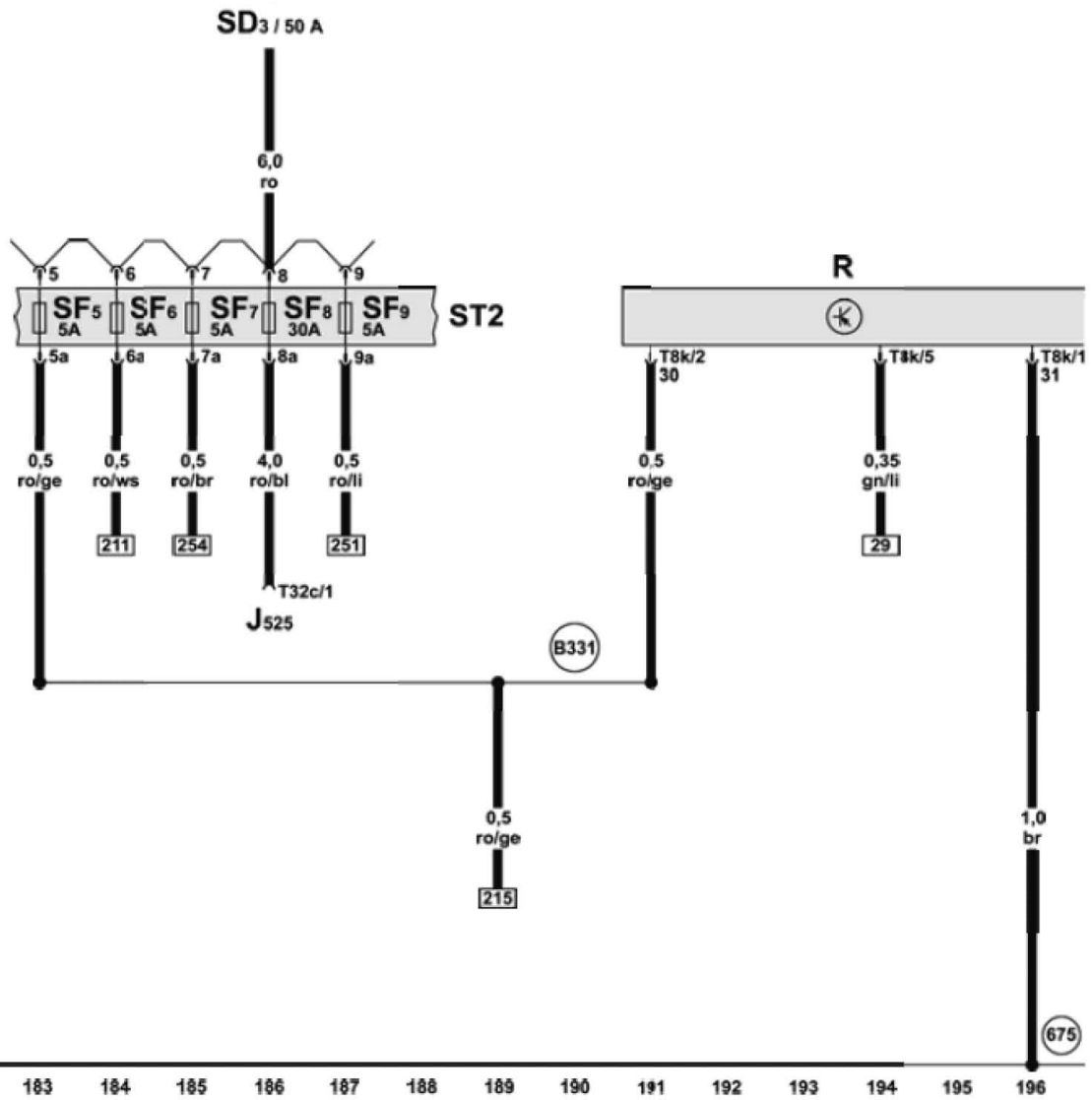
T12n - 12-pin connector, black, on telephone bracket

T54a - 54-pin connector, on telephone transmitter and receiver unit

35 - Earth point, under front passenger seat

- roof aerial
- models with Bluetooth car phone

LAUNCH



ws = white sw = black ro = red br = brown gn = green bl = blue
 gr = grey li = purple ge = yellow or = orange rs = pink

Radio, fuses

J525 - Digital sound package control unit

R - Radio

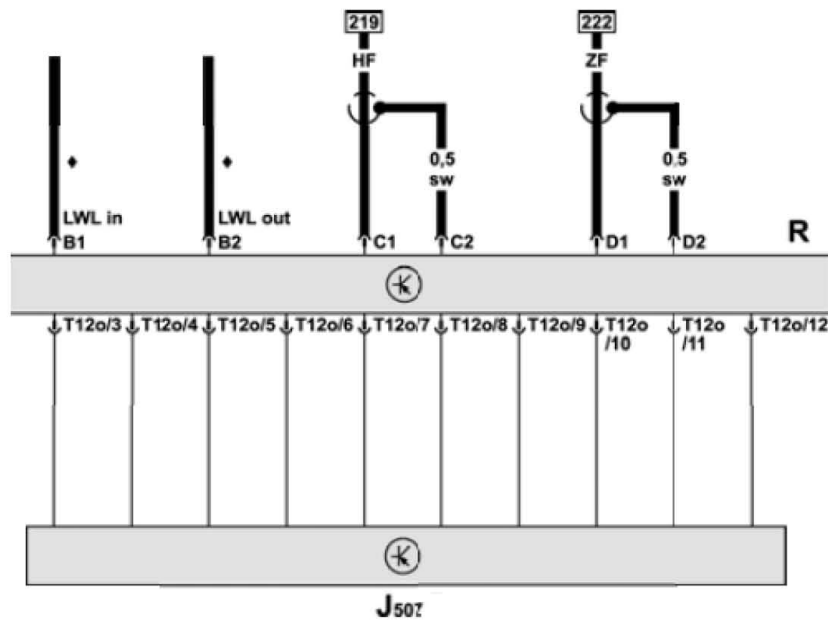
SD3 - Fuse 3 on fuse holder D

SF5 - Fuse 5 on fuse holder F

SF6 - Fuse 6 on fuse holder F

SF7 - Fuse 7 on fuse holder F

- SF8 - Fuse 8 on fuse holder F
- SF9 - Fuse 9 on fuse holder F
- T8k - 8-connector, black, on radio
- T32c - 32-pin connector, black, on digital sound package control unit
- 675 - Earth point 2, on right in luggage compartment
- B331 - Positive connection 17 (30a), in main wiring harness
 - Relay and fuse carrier under driver seat

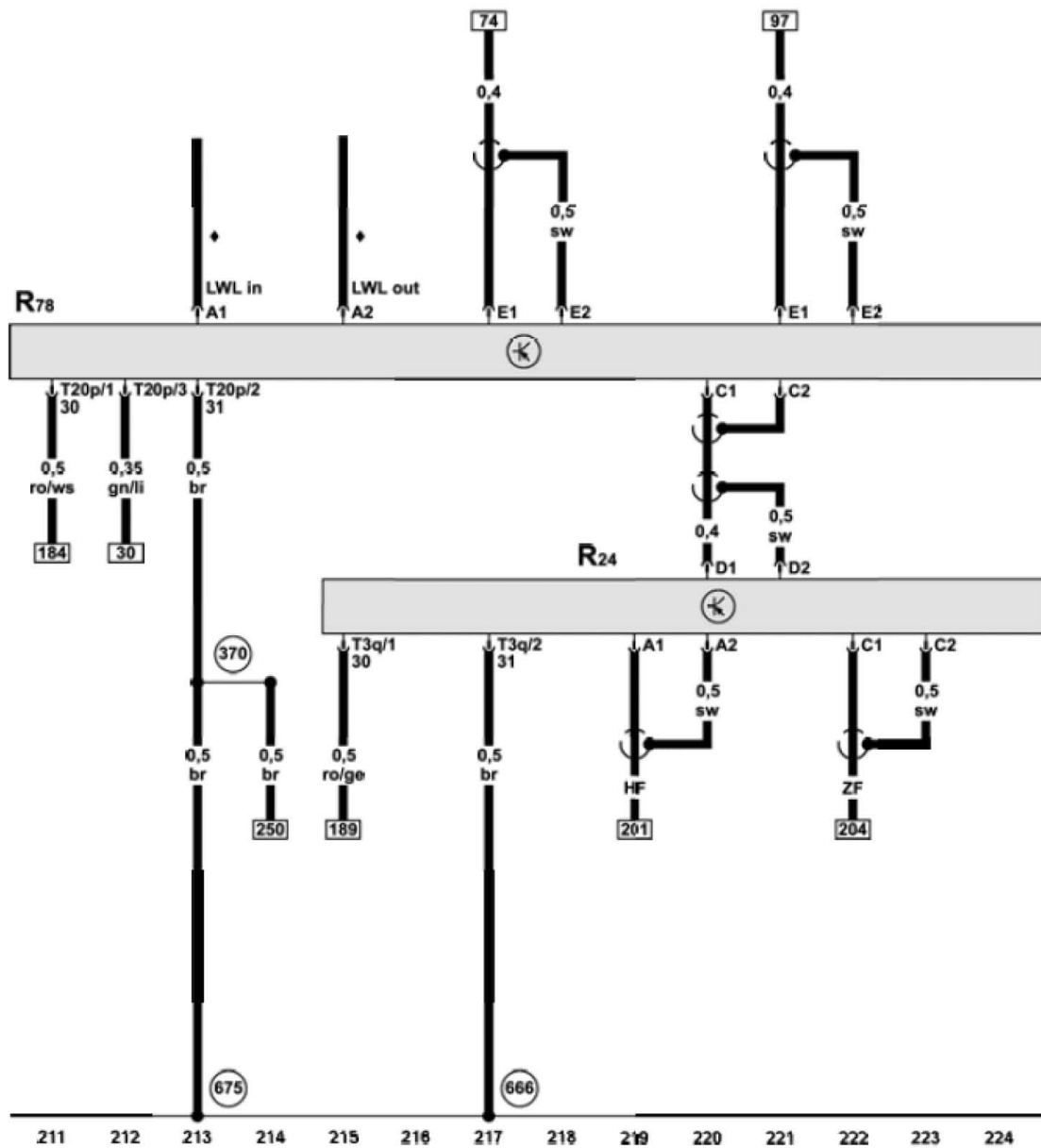


197	198	199	200	201	202	203	204	205	206	207	208	209	210
-----	-----	-----	-----	-----	-----	-----	-----	-----	-----	-----	-----	-----	-----

ws = white sw = black ro = red br = brown gn = green bl = blue
 gr = grey li = purple ge = yellow or = orange rs = pink

Radio, language input control unit
 J507 - Language input control unit
 R - Radio

- T12o - 12-pin connector, on radio
 - models with voice control
 - Fibre optic conductor, see Current Flow Diagram infotainment data bus (Most Ring)



211 212 213 214 215 218 217 218 219 220 221 222 223 224

ws = white sw = black ro = red br = brown gn = green bl = blue
 gr = grey li = purple ge = yellow or = orange rs = pink

TV tuner, aerial amplifier

R24 - Aerial amplifier

R78 - TV tuner

T3q - 3-pin connector, black, on aerial amplifier

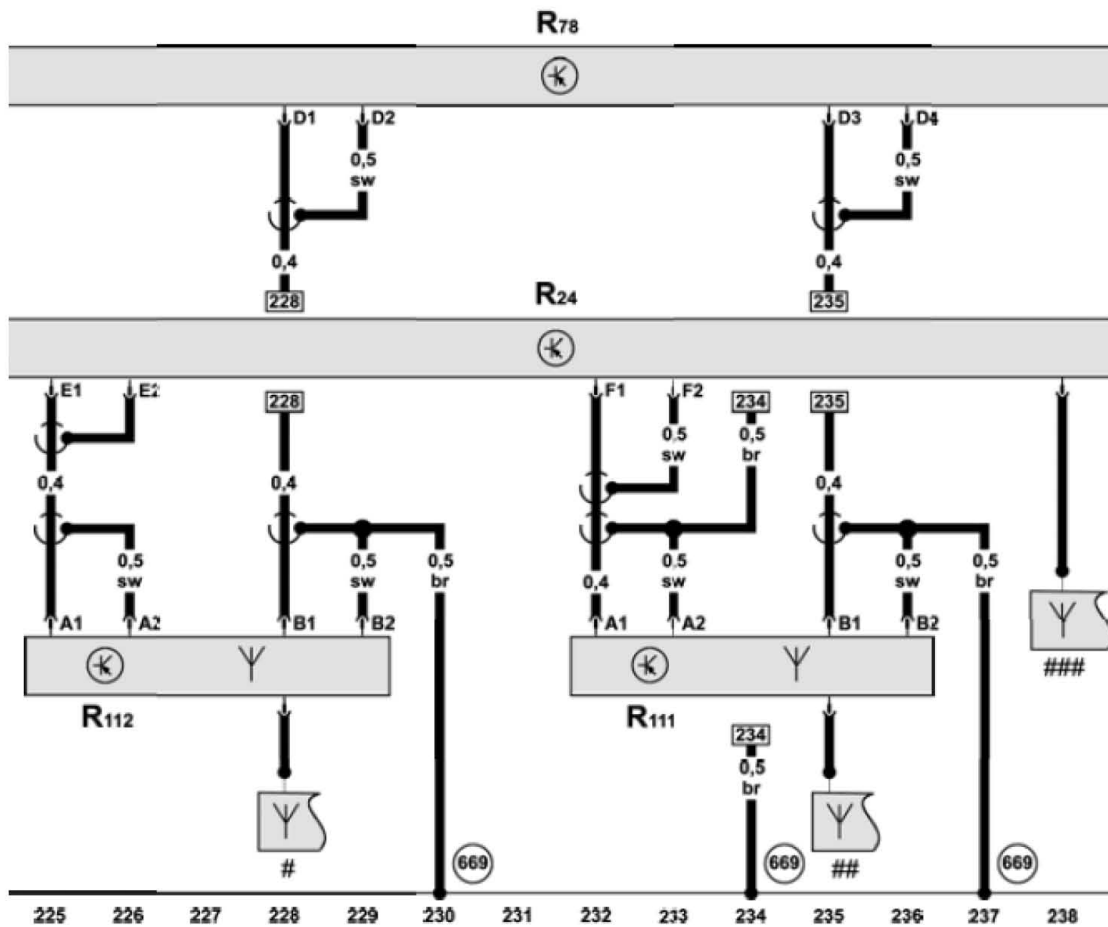
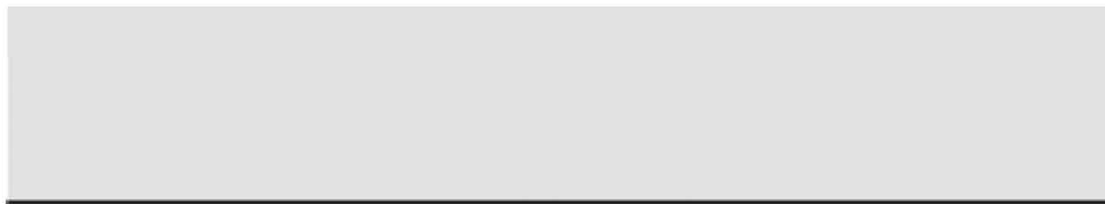
T20p - 20-pin connector, on TV tuner

370 - Earth connection 5, in main wiring harness

666 - Earth point, on rear right of roof

675 - Earth point 2, on right in luggage compartment

- models with TV tuner
- models without CD changer or video recorder and DVD player
- models with CD changer or video recorder and DVD player
- Fibre optic conductor, see Current Flow Diagram infotainment data bus (Most Ring)



ws = white sw = black ro = red br = brown gn = green bl = blue
 gr = grey li = purple ge = yellow or = orange rs = pink

TV tuner, aerial amplifier

R24 - Aerial amplifier

R78 - TV tuner

R111 - Aerial amplifier 2

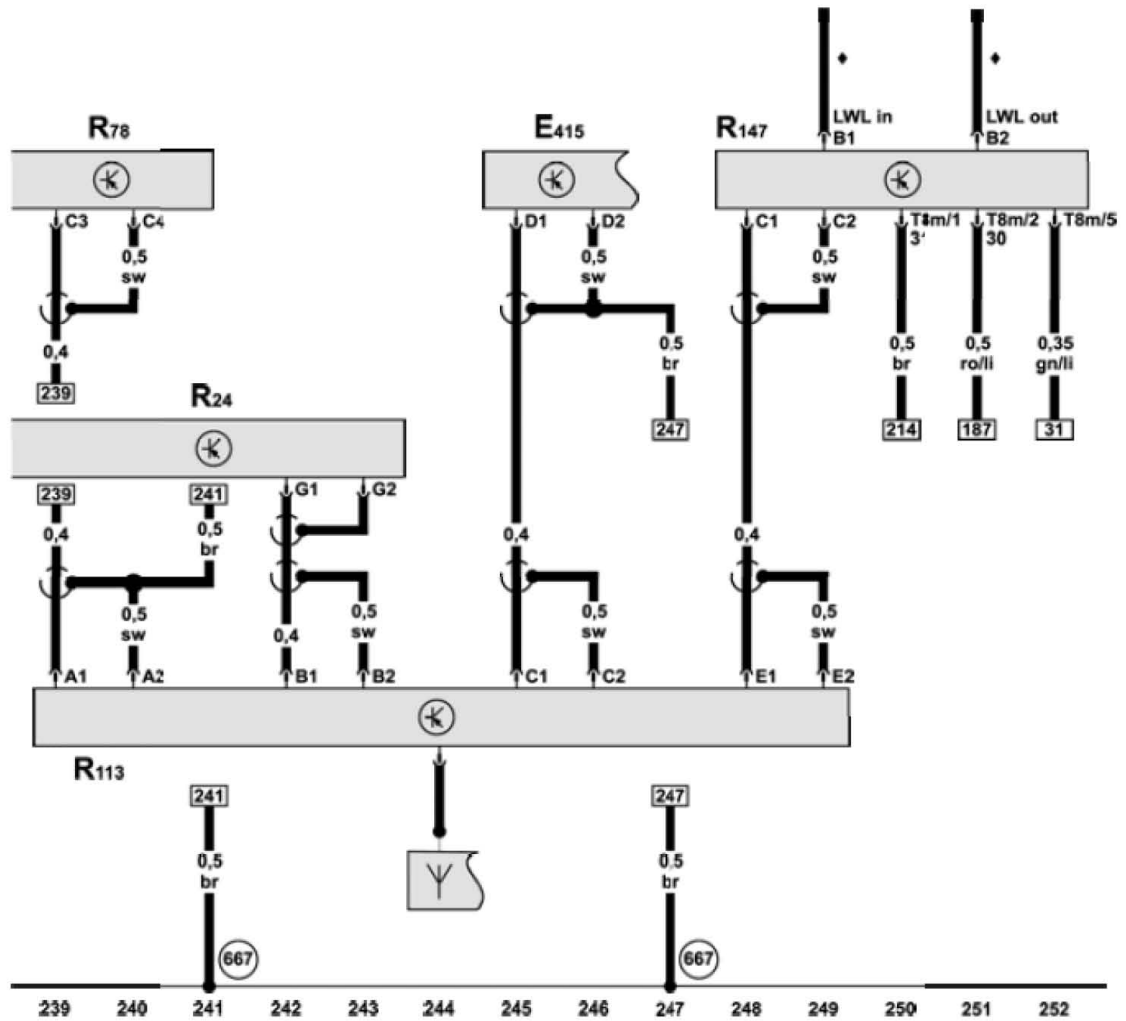
R112 - Aerial amplifier 3

666 - Earth point, on rear right of roof

669 - Earth point 2, right D-pillar

- models with TV tuner
- rear window aerial
- aerial on spoiler

- side window aerial right



ws = white sw = black ro = red br = brown gn = green bl = blue
 gr = grey li = purple ge = yellow or = orange rs = pink

TV tuner, digital radio, aerial amplifier

E415 - Entry and start authorisation switch

R24 - Aerial amplifier

R78 - TV tuner

R113 - Aerial amplifier 4

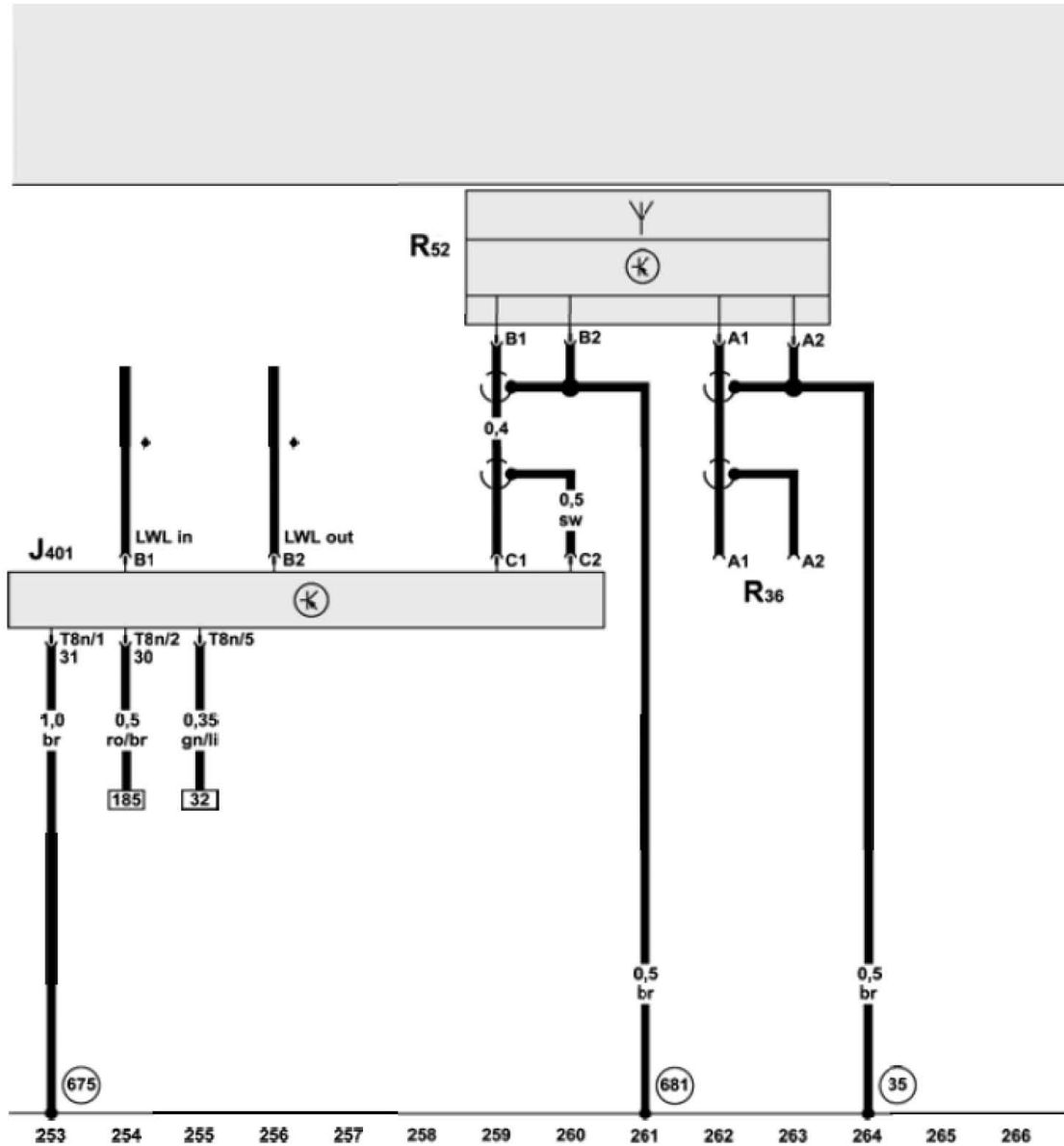
R147 - Digital radio

T8m - 8-pin connector, black, on digital radio

667 - Earth point, on rear left of roof

- models with TV tuner

- models with digital radio
- side window aerial left
- Fibre optic conductor, see Current Flow Diagram infotainment data bus (Most Ring)



ws = white sw = black ro = red br = brown gn = green bl = blue
 gr = grey li = purple ge = yellow or = orange rs = pink

Navigation system with CD drive control unit, radio, telephone and navigation system aerial

J401 - Navigation system with CD drive control unit

R36 - Telephone transmitter and receiver unit

R52 - Radio, telephone and navigation system aerial

T8n - 8-pin connector, black, on navigation system with CD drive control unit

35 - Earth point, under front passenger seat

675 - Earth point 2, on right in luggage compartment

681 - Earth point 1, in rear right side panel

- roof aerial
- Fibre optic conductor, see Current Flow Diagram infotainment data bus (Most Ring)