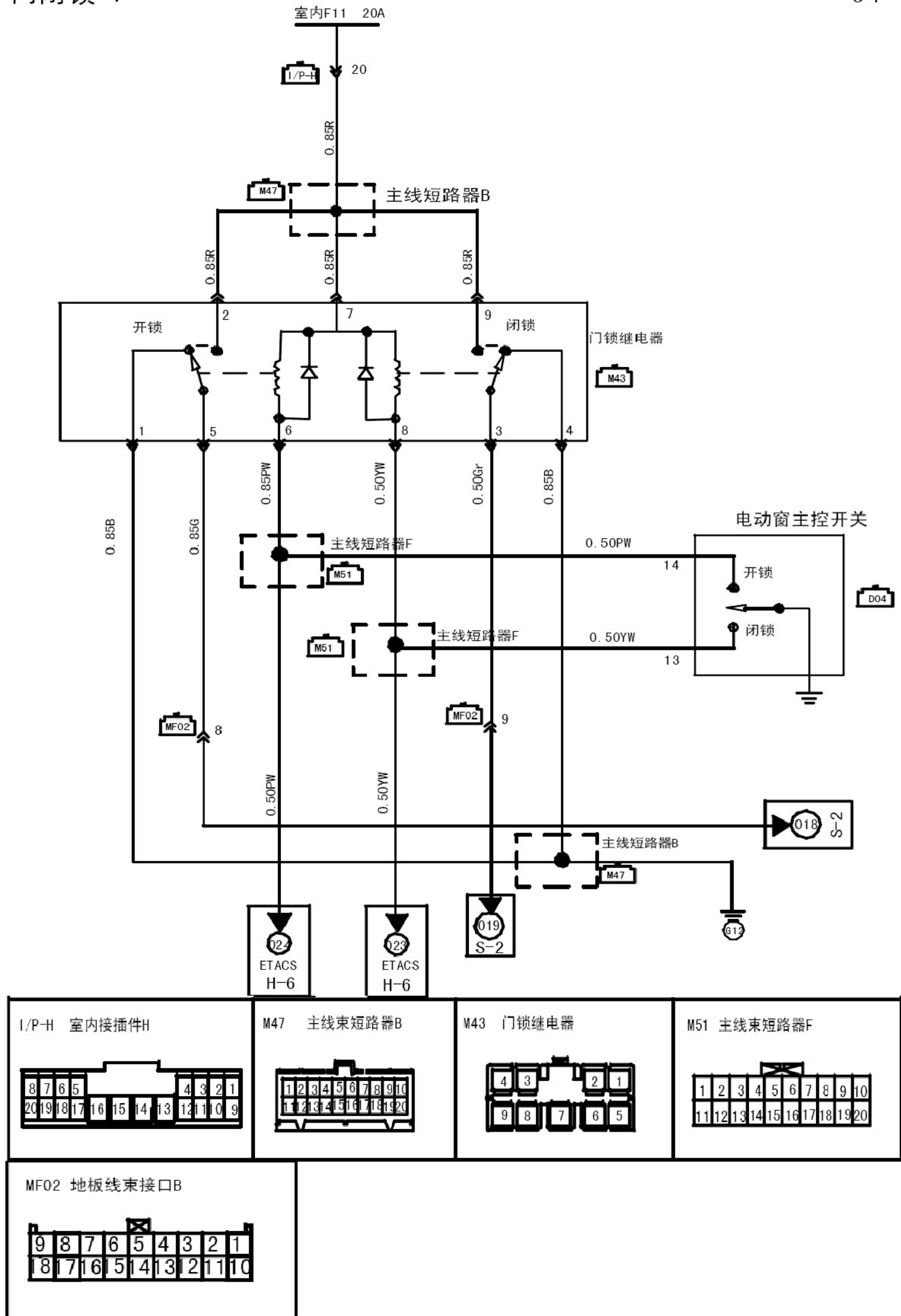


2.18 门锁控制

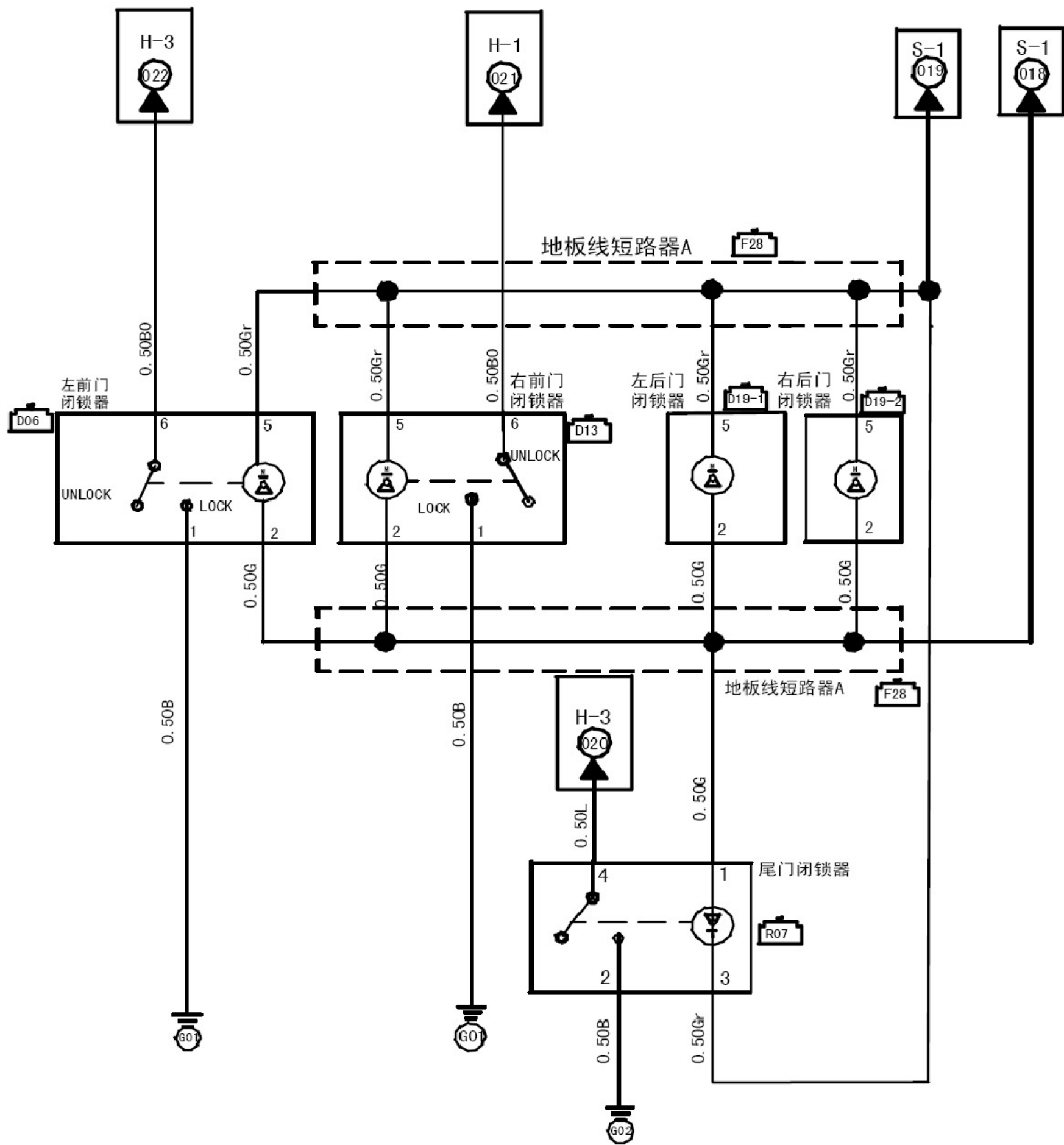
门闭锁-1

S-1



门闭锁-2

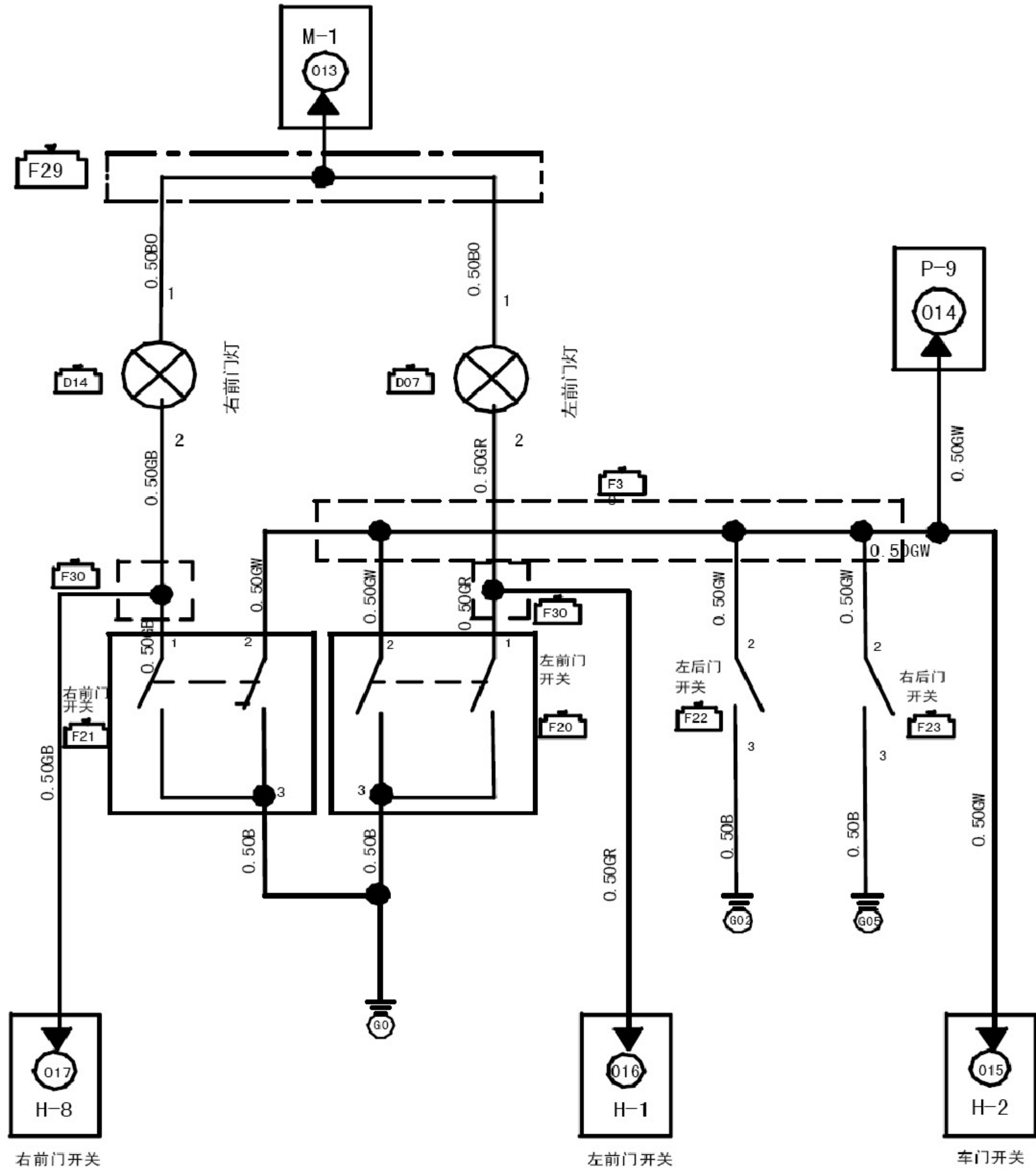
S-2



| | | | | | | | | | | | | | | | | | | | | | | | | | |
|--|----|----|----|----|----|----|---|----|----|----|----|----|----|----|----|----|----|----|----|----|--|---|---|---|---|
| <p>F28 地板线束短路器A</p> <table border="1" style="margin-left: auto; margin-right: auto;"> <tr><td>1</td><td>2</td><td>3</td><td>4</td><td>5</td><td>6</td><td>7</td><td>8</td><td>9</td><td>10</td></tr> <tr><td>11</td><td>12</td><td>13</td><td>14</td><td>15</td><td>16</td><td>17</td><td>18</td><td>19</td><td>20</td></tr> </table> | 1 | 2 | 3 | 4 | 5 | 6 | 7 | 8 | 9 | 10 | 11 | 12 | 13 | 14 | 15 | 16 | 17 | 18 | 19 | 20 | <p>R07 尾门闭锁器</p> <table border="1" style="margin-left: auto; margin-right: auto;"> <tr><td>2</td><td>1</td></tr> <tr><td>4</td><td>3</td></tr> </table> | 2 | 1 | 4 | 3 |
| 1 | 2 | 3 | 4 | 5 | 6 | 7 | 8 | 9 | 10 | | | | | | | | | | | | | | | | |
| 11 | 12 | 13 | 14 | 15 | 16 | 17 | 18 | 19 | 20 | | | | | | | | | | | | | | | | |
| 2 | 1 | | | | | | | | | | | | | | | | | | | | | | | | |
| 4 | 3 | | | | | | | | | | | | | | | | | | | | | | | | |
| <p>D06左前门闭锁器</p> <table border="1" style="margin-left: auto; margin-right: auto;"> <tr><td>3</td><td>2</td><td>1</td></tr> <tr><td>6</td><td>5</td><td>4</td></tr> </table> | 3 | 2 | 1 | 6 | 5 | 4 | <p>D19-1 左后门闭锁器</p> <p>D19-2 右后门闭锁器</p> | | | | | | | | | | | | | | | | | | |
| 3 | 2 | 1 | | | | | | | | | | | | | | | | | | | | | | | |
| 6 | 5 | 4 | | | | | | | | | | | | | | | | | | | | | | | |

门开关-4

S-4



| | | | |
|---------------------|--------------------------------|---------------------|------------------|
| <p>F29 地板线束短路器B</p> | <p>D07 左前门小灯 D14 右前门小灯</p> | <p>F30 地板线束短路器C</p> | <p>F21 右前门开关</p> |
| <p>F20 左前门开关</p> | <p>F22 左后门开关</p> | | <p>F23 右后门开关</p> |