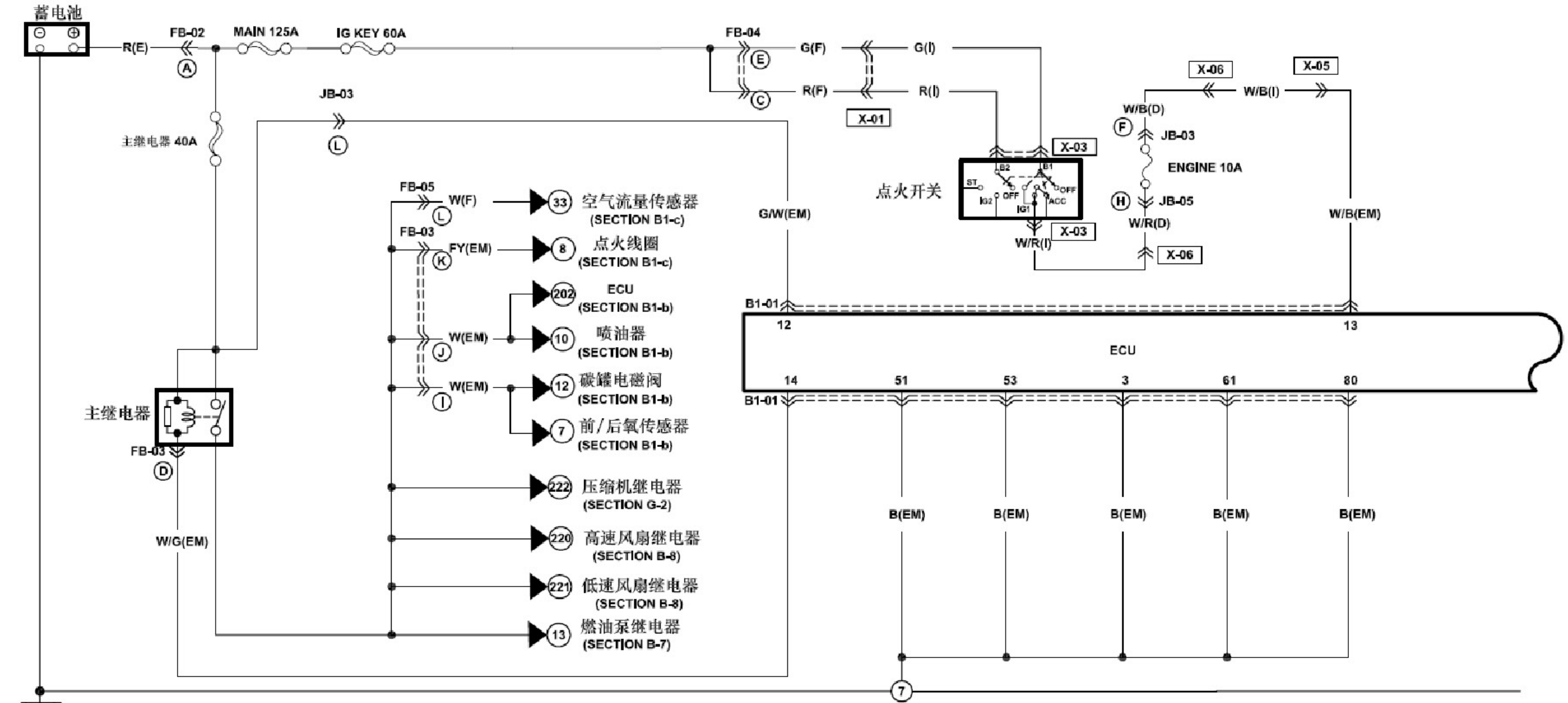
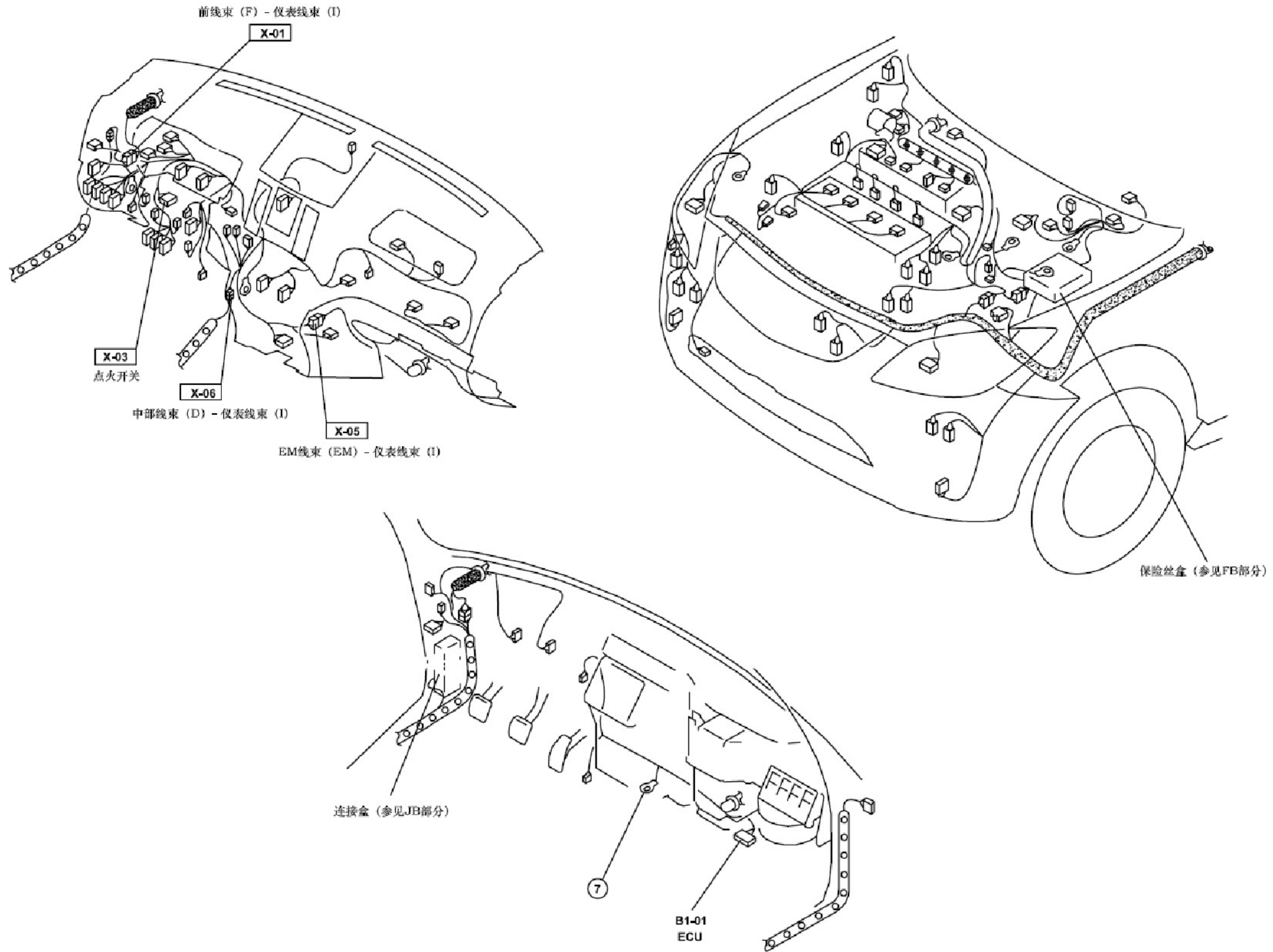


2.2 发动机控制系统 (384Q)

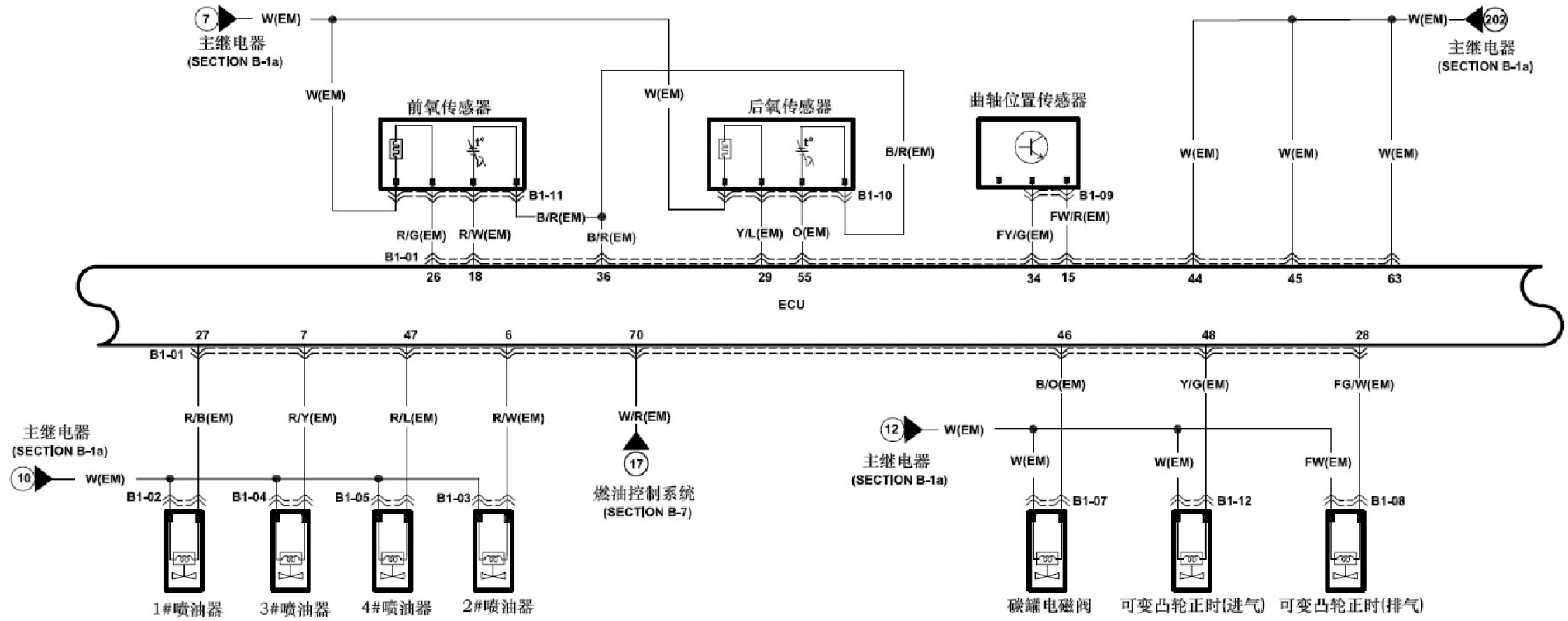


B1-01 ECU(EM)

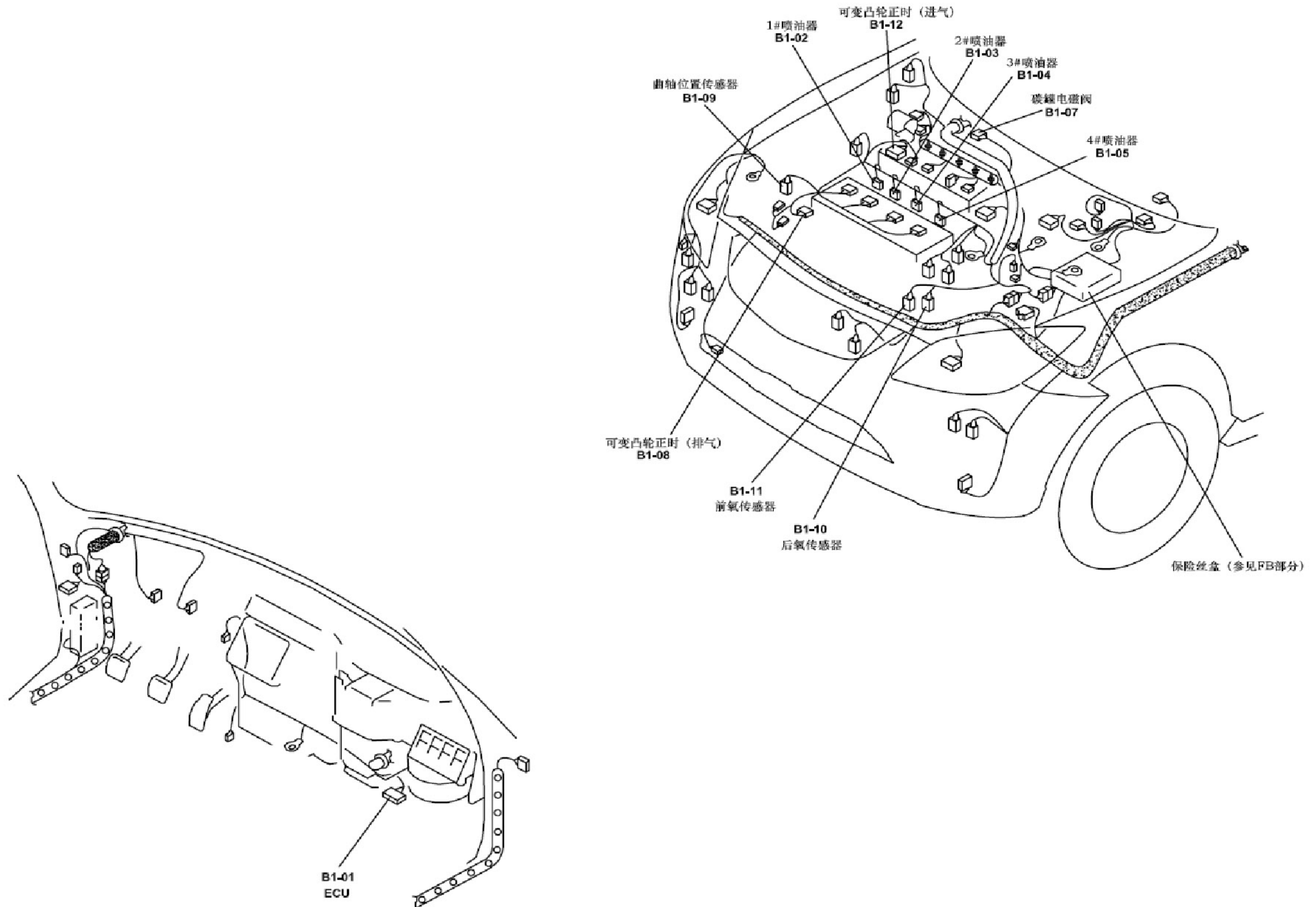
63	W	B/R	B/R	G/L	G/L	LG	BR/Y	W/R	G/B	Y/G	Y	Y/L	G	Y/R	R	P	W/L	B	★	81
	W	W	B/O	R/L	Y/G	★	L/R	B	★	B	V	O	★	★	B/L	W	★	B	★	
44																				62
25	★	R/G	R/B	FG/W	Y/L	★	G/Y	Y	B/W	FY/G	Y/L	B/R	BR	P/L	L	B/Y	★	V/W	★	43
	R/W	R/Y	GR/L	★	★	GR/R	G/W	W/B	W/G	FW/R	GR	LG/B	R/W	L/B	L/W	R/G	★	★	★	24
6																				



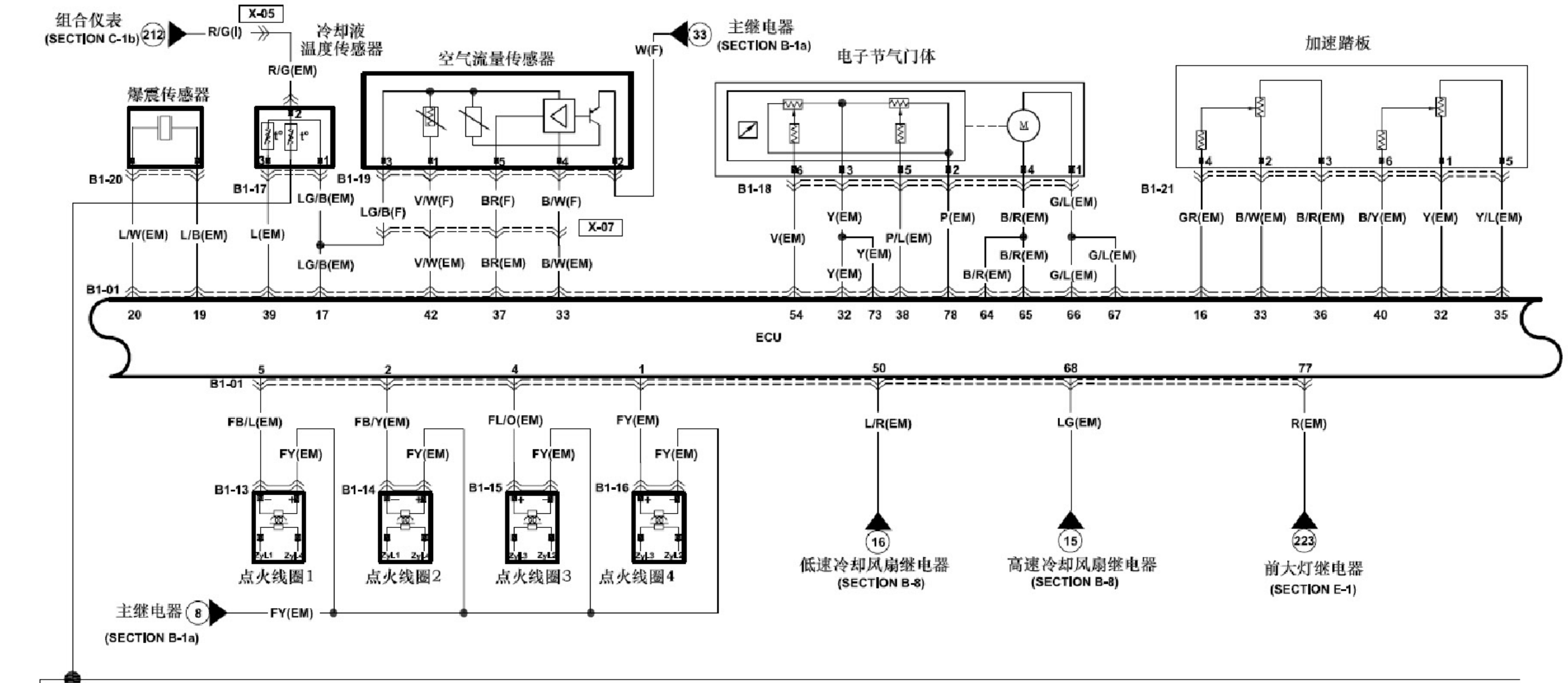
发动机控制系统 (484Q) (续1)



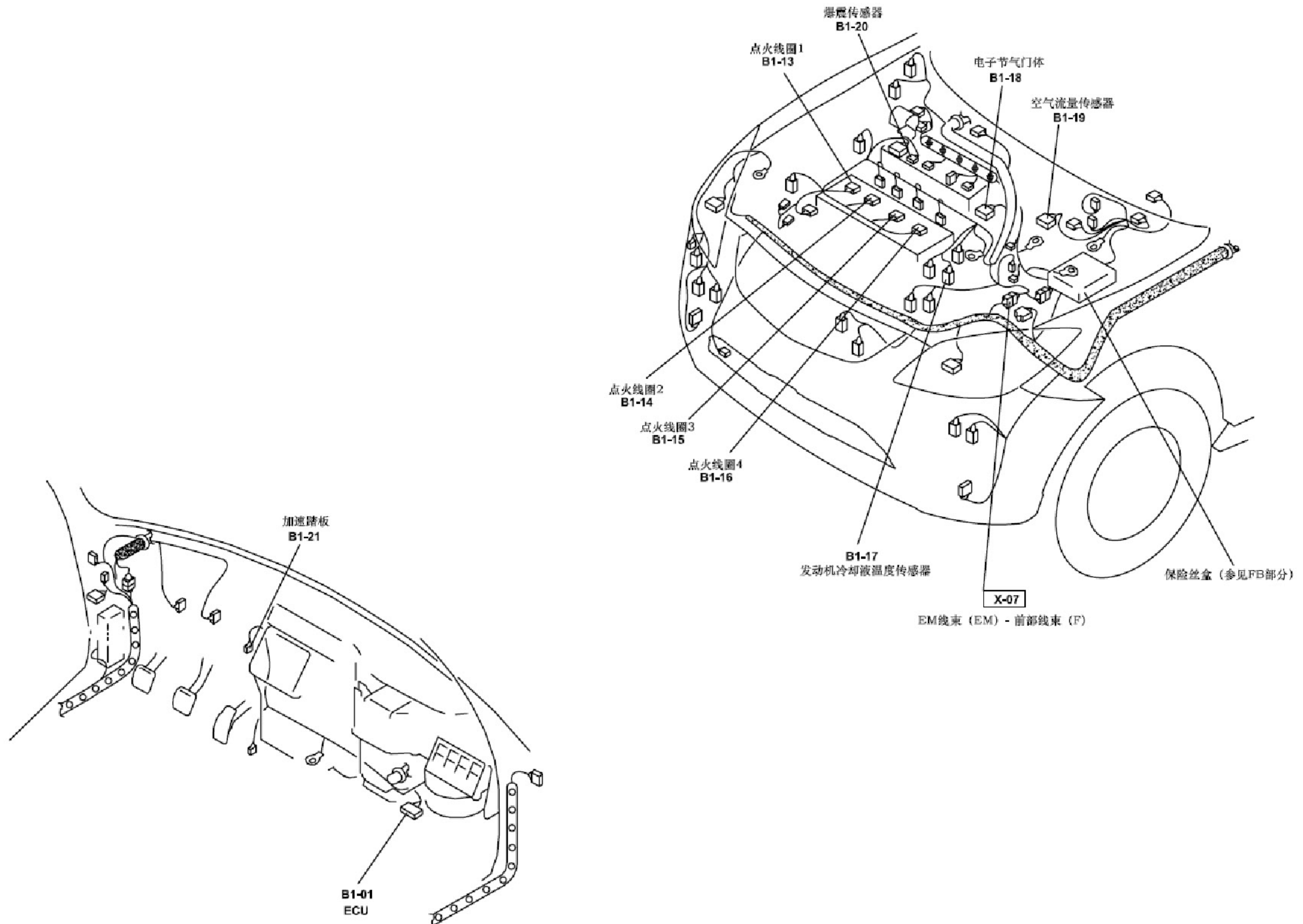
B1-01 ECU(EM)																B1-02 1# 喷油器(EM)		B1-03 2# 喷油器(EM)		B1-04 3# 喷油器(EM)		B1-05 4# 喷油器(EM)																																																																																																																									
<table border="1"> <tr> <td>63</td><td>W</td><td>B/R</td><td>B/R</td><td>G/L</td><td>G/L</td><td>LG</td><td>BR/Y</td><td>W/R</td><td>G/B</td><td>Y/G</td><td>Y</td><td>Y/L</td><td>G</td><td>Y/R</td><td>R</td><td>P</td><td>W/L</td><td>B</td><td>*</td> </tr> <tr> <td></td><td>W</td><td>W</td><td>B/O</td><td>R/L</td><td>Y/G</td><td>*</td><td>L/R</td><td>B</td><td>*</td><td>B</td><td>V</td><td>O</td><td>*</td><td>*</td><td>B/L</td><td>W</td><td>*</td><td>B</td><td>*</td> </tr> <tr> <td>44</td><td colspan="18"></td><td>62</td> </tr> <tr> <td>25</td><td>*</td><td>R/G</td><td>R/B</td><td>FG/W</td><td>Y/L</td><td>*</td><td>G/Y</td><td>Y</td><td>B/W</td><td>FY/G</td><td>Y/L</td><td>B/R</td><td>BR</td><td>P/L</td><td>L</td><td>B/Y</td><td>*</td><td>V/W</td><td>*</td> </tr> <tr> <td></td><td>R/W</td><td>R/Y</td><td>GR/L</td><td>*</td><td>*</td><td>GR/R</td><td>G/W</td><td>W/B</td><td>W/G</td><td>FW/R</td><td>GR</td><td>LG/B</td><td>R/W</td><td>L/B</td><td>L/W</td><td>R/G</td><td>*</td><td>*</td><td>*</td> </tr> <tr> <td>6</td><td colspan="18"></td><td>24</td> </tr> </table>																63	W	B/R	B/R	G/L	G/L	LG	BR/Y	W/R	G/B	Y/G	Y	Y/L	G	Y/R	R	P	W/L	B	*		W	W	B/O	R/L	Y/G	*	L/R	B	*	B	V	O	*	*	B/L	W	*	B	*	44																			62	25	*	R/G	R/B	FG/W	Y/L	*	G/Y	Y	B/W	FY/G	Y/L	B/R	BR	P/L	L	B/Y	*	V/W	*		R/W	R/Y	GR/L	*	*	GR/R	G/W	W/B	W/G	FW/R	GR	LG/B	R/W	L/B	L/W	R/G	*	*	*	6																			24								
63	W	B/R	B/R	G/L	G/L	LG	BR/Y	W/R	G/B	Y/G	Y	Y/L	G	Y/R	R	P	W/L	B	*																																																																																																																												
	W	W	B/O	R/L	Y/G	*	L/R	B	*	B	V	O	*	*	B/L	W	*	B	*																																																																																																																												
44																			62																																																																																																																												
25	*	R/G	R/B	FG/W	Y/L	*	G/Y	Y	B/W	FY/G	Y/L	B/R	BR	P/L	L	B/Y	*	V/W	*																																																																																																																												
	R/W	R/Y	GR/L	*	*	GR/R	G/W	W/B	W/G	FW/R	GR	LG/B	R/W	L/B	L/W	R/G	*	*	*																																																																																																																												
6																			24																																																																																																																												
																B1-07 碳罐电磁阀(EM)		B1-08 可变凸轮正时(EM)		B1-09 曲轴位置传感器(EM)																																																																																																																											
																B1-10 后氧传感器(EM)		B1-11 前氧传感器(EM)		B1-12 可变凸轮正时(EM)																																																																																																																											



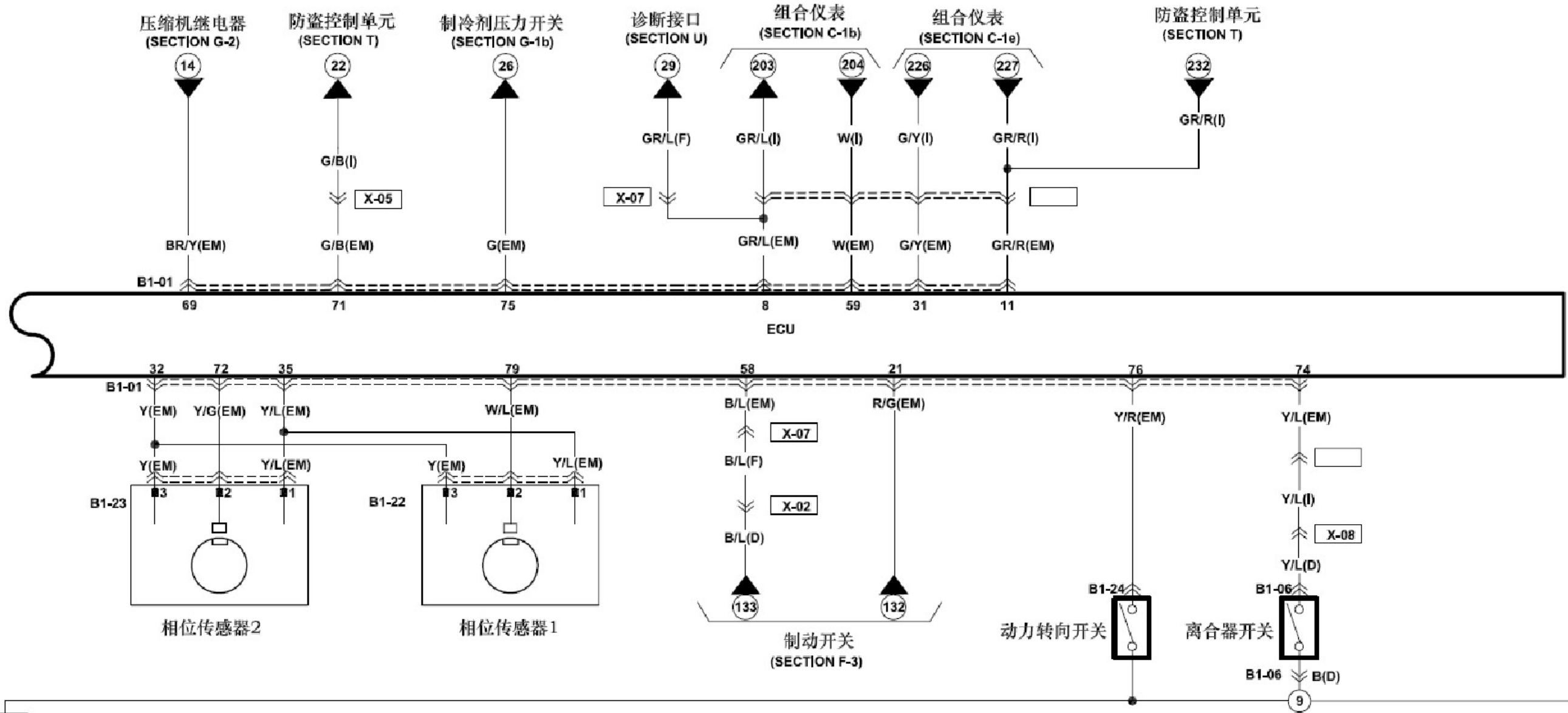
发动机控制系统 (484Q) (续2)



B1-01 ECU(EM)																2		1		B1-13 点火线圈1(EM)			B1-14 点火线圈2(EM)			B1-15 点火线圈3(EM)				
63	W	B/R	B/R	G/L	G/L	LG	BR/Y	W/R	G/B	Y/G	Y	Y/L	G	Y/R	R	P	W/L	B	*	2	1	FY FB/L *			FY FB/Y *			FY FL/O *		
	W	W	B/O	R/L	Y/G	*	L/R	B	*	B	V	O	*	*	B/L	W	*	B	*	3		FY FY *			R/G L G/E			B/R P/L V		
44																				5	4	BR B/W LG/B W V/W			* L/W L/B			G/L P Y		
25	*	R/G	R/B	FG/W	Y/L	*	G/Y	Y	B/W	FY/G	Y/L	B/R	BR	P/L	L	B/Y	*	V/W	*			B1-16 点火线圈4(EM)			B1-17 冷却液温度传感器(EM)			B1-18 电子节气门体(EM)		
	R/W	R/Y	GR/L	*	*	GR/R	G/W	W/B	W/G	FW/R	GR	LG/B	R/W	L/B	L/W	R/G	*	*	*			FY FY *			R/G L G/E			B/R P/L V		
6																						B1-19 空气流量传感器(EM)			B1-20 爆震传感器(EM)			B1-21 加速踏板(EM)		
																						BR B/W LG/B W V/W			* L/W L/B			B/Y Y/L GR B/R B/W Y		
	</																													



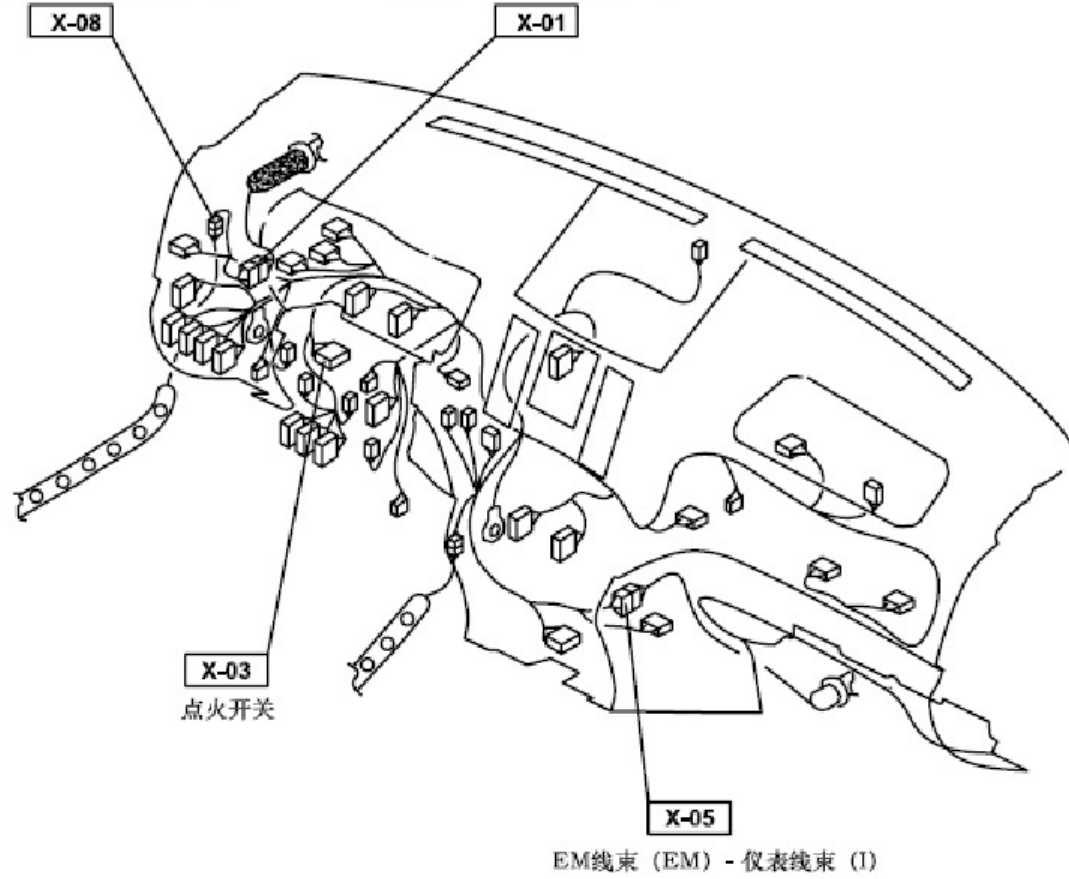
发动机控制系统 (484Q) (续3)



<p>B1-01 ECU(EM)</p> <table border="1"> <tr> <td>63</td> <td>W</td> <td>B/R</td> <td>B/R</td> <td>G/L</td> <td>G/L</td> <td>LG</td> <td>BR/Y</td> <td>W/R</td> <td>G/B</td> <td>Y/G</td> <td>Y</td> <td>Y/L</td> <td>G</td> <td>Y/R</td> <td>R</td> <td>P</td> <td>W/L</td> <td>B</td> <td>81</td> </tr> <tr> <td></td> <td>W</td> <td>W</td> <td>B/O</td> <td>R/L</td> <td>Y/G</td> <td>*</td> <td>L/R</td> <td>B</td> <td>*</td> <td>B</td> <td>V</td> <td>O</td> <td>*</td> <td>*</td> <td>B/L</td> <td>W</td> <td>*</td> <td>B</td> <td>*</td> </tr> <tr> <td>44</td> <td colspan="18"></td> <td>62</td> </tr> <tr> <td>25</td> <td>*</td> <td>R/G</td> <td>R/B</td> <td>FG/W</td> <td>Y/L</td> <td>*</td> <td>G/Y</td> <td>Y</td> <td>B/W</td> <td>FY/G</td> <td>Y/L</td> <td>B/R</td> <td>BR</td> <td>P/L</td> <td>L</td> <td>B/Y</td> <td>*</td> <td>V/W</td> <td>*</td> </tr> <tr> <td></td> <td>R/W</td> <td>R/Y</td> <td>GR/L</td> <td>*</td> <td>*</td> <td>GR/R</td> <td>G/W</td> <td>W/B</td> <td>W/G</td> <td>FW/R</td> <td>GR</td> <td>LG/B</td> <td>R/W</td> <td>L/B</td> <td>L/W</td> <td>R/G</td> <td>*</td> <td>*</td> <td>*</td> </tr> <tr> <td>6</td> <td colspan="18"></td> <td>24</td> </tr> </table>		63	W	B/R	B/R	G/L	G/L	LG	BR/Y	W/R	G/B	Y/G	Y	Y/L	G	Y/R	R	P	W/L	B	81		W	W	B/O	R/L	Y/G	*	L/R	B	*	B	V	O	*	*	B/L	W	*	B	*	44																			62	25	*	R/G	R/B	FG/W	Y/L	*	G/Y	Y	B/W	FY/G	Y/L	B/R	BR	P/L	L	B/Y	*	V/W	*		R/W	R/Y	GR/L	*	*	GR/R	G/W	W/B	W/G	FW/R	GR	LG/B	R/W	L/B	L/W	R/G	*	*	*	6																			24	<p>B1-22 相位传感器1(EM)</p>	<p>B1-23 相位传感器2(EM)</p>
63	W	B/R	B/R	G/L	G/L	LG	BR/Y	W/R	G/B	Y/G	Y	Y/L	G	Y/R	R	P	W/L	B	81																																																																																																								
	W	W	B/O	R/L	Y/G	*	L/R	B	*	B	V	O	*	*	B/L	W	*	B	*																																																																																																								
44																			62																																																																																																								
25	*	R/G	R/B	FG/W	Y/L	*	G/Y	Y	B/W	FY/G	Y/L	B/R	BR	P/L	L	B/Y	*	V/W	*																																																																																																								
	R/W	R/Y	GR/L	*	*	GR/R	G/W	W/B	W/G	FW/R	GR	LG/B	R/W	L/B	L/W	R/G	*	*	*																																																																																																								
6																			24																																																																																																								
		<p>B1-24 动力转向开关(EM)</p>	<p>B1-06 离合器开关(EM)</p>																																																																																																																								

中部线束 (D) - 仪表线束 (I)

前线束 (F) - 仪表线束 (I)



动力转向开关
B1-24

相位传感器2
B1-23

相位传感器1
B1-22

保险丝盒 (参见FB部分)

X-07
EM线束 (EM) - 前部线束 (F)

X-02
前部线束 (F) - 中部线束 (D)

离合器开关
B1-25

加速踏板
B1-21

B1-01
ECU