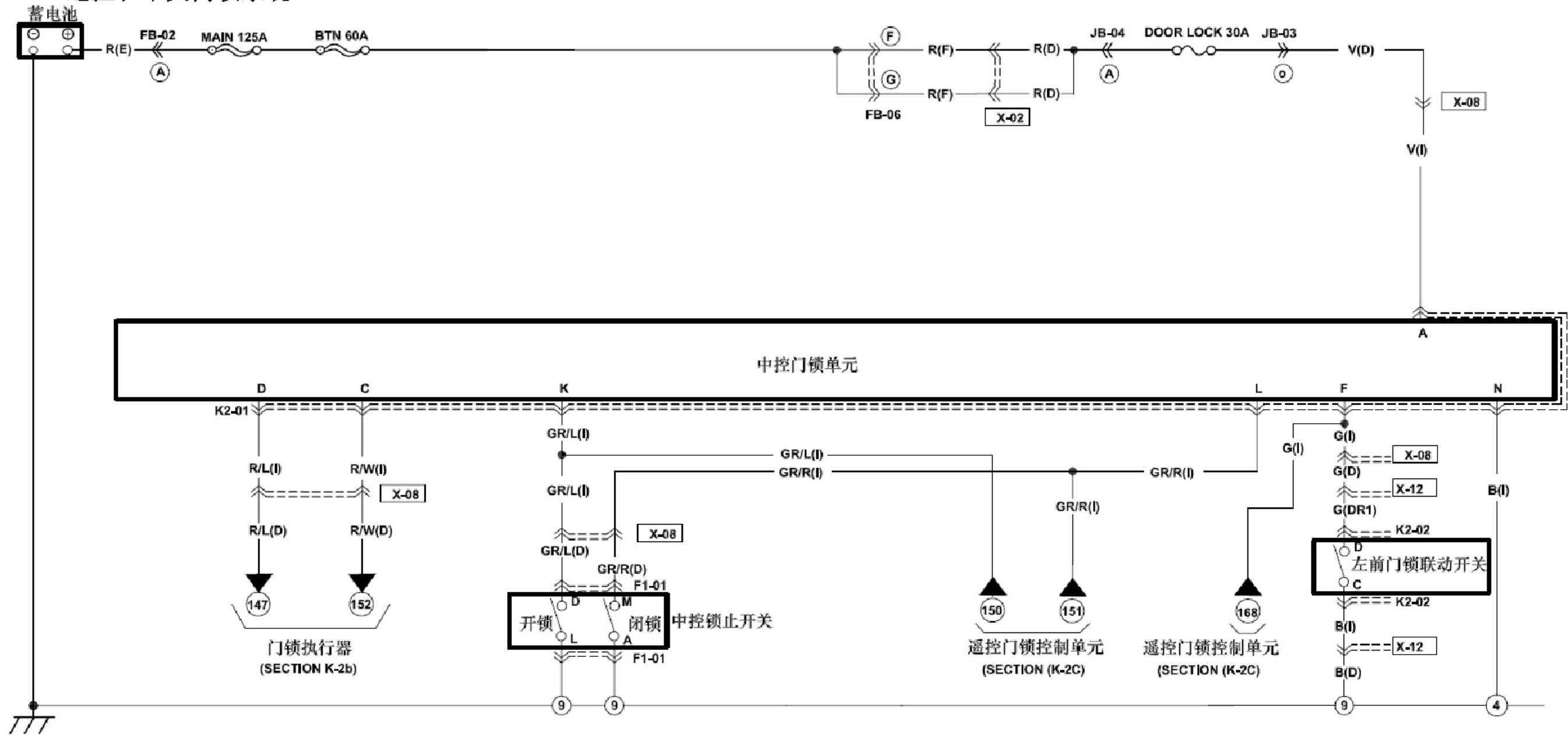
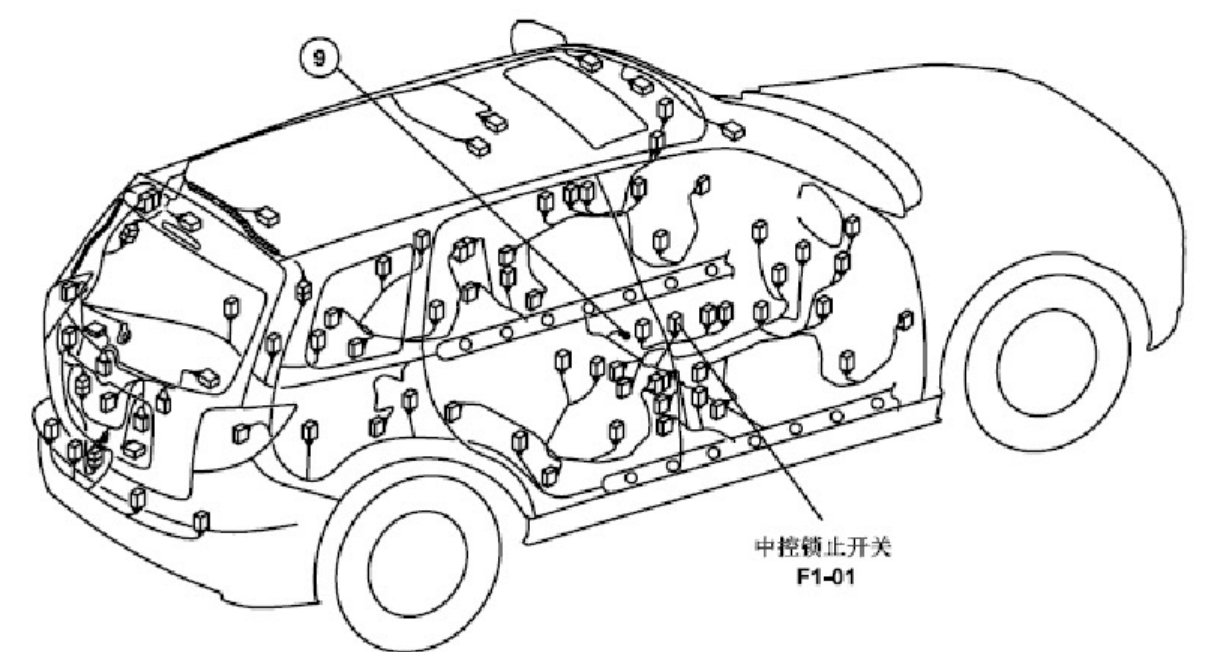
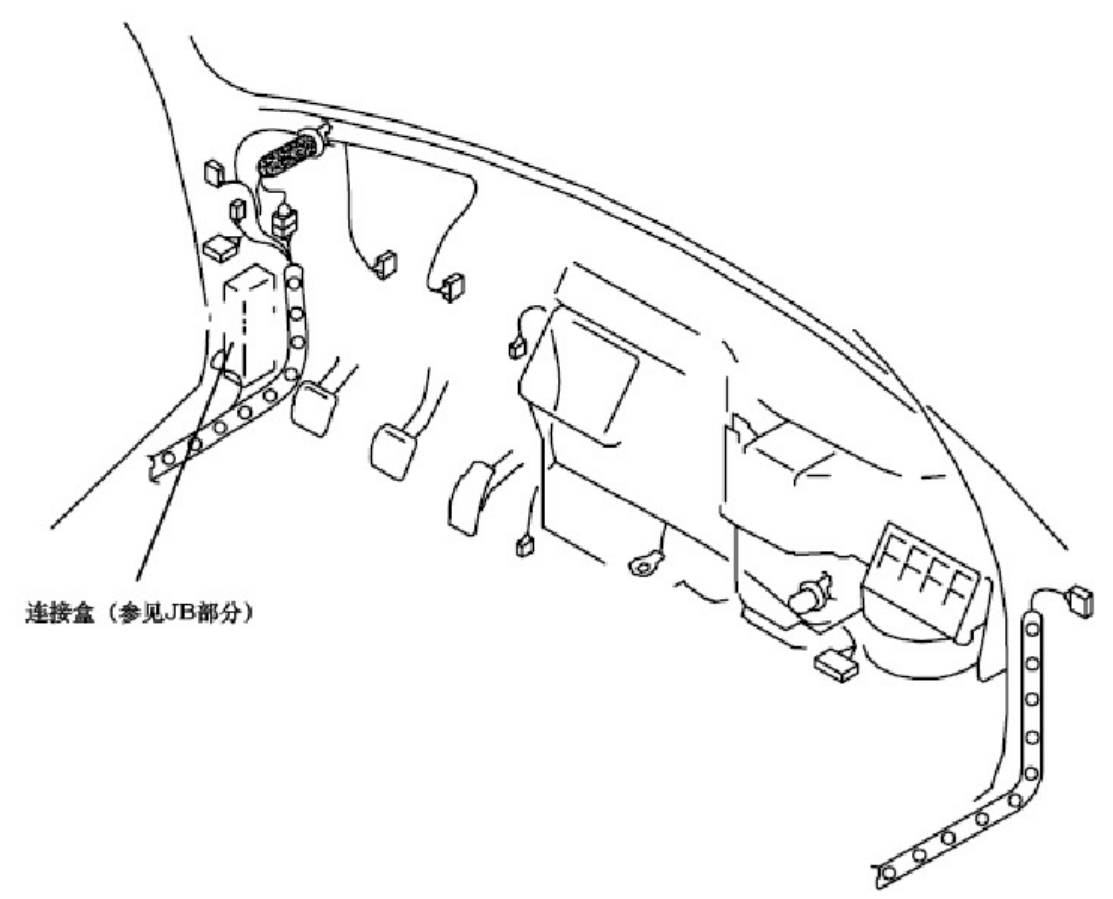
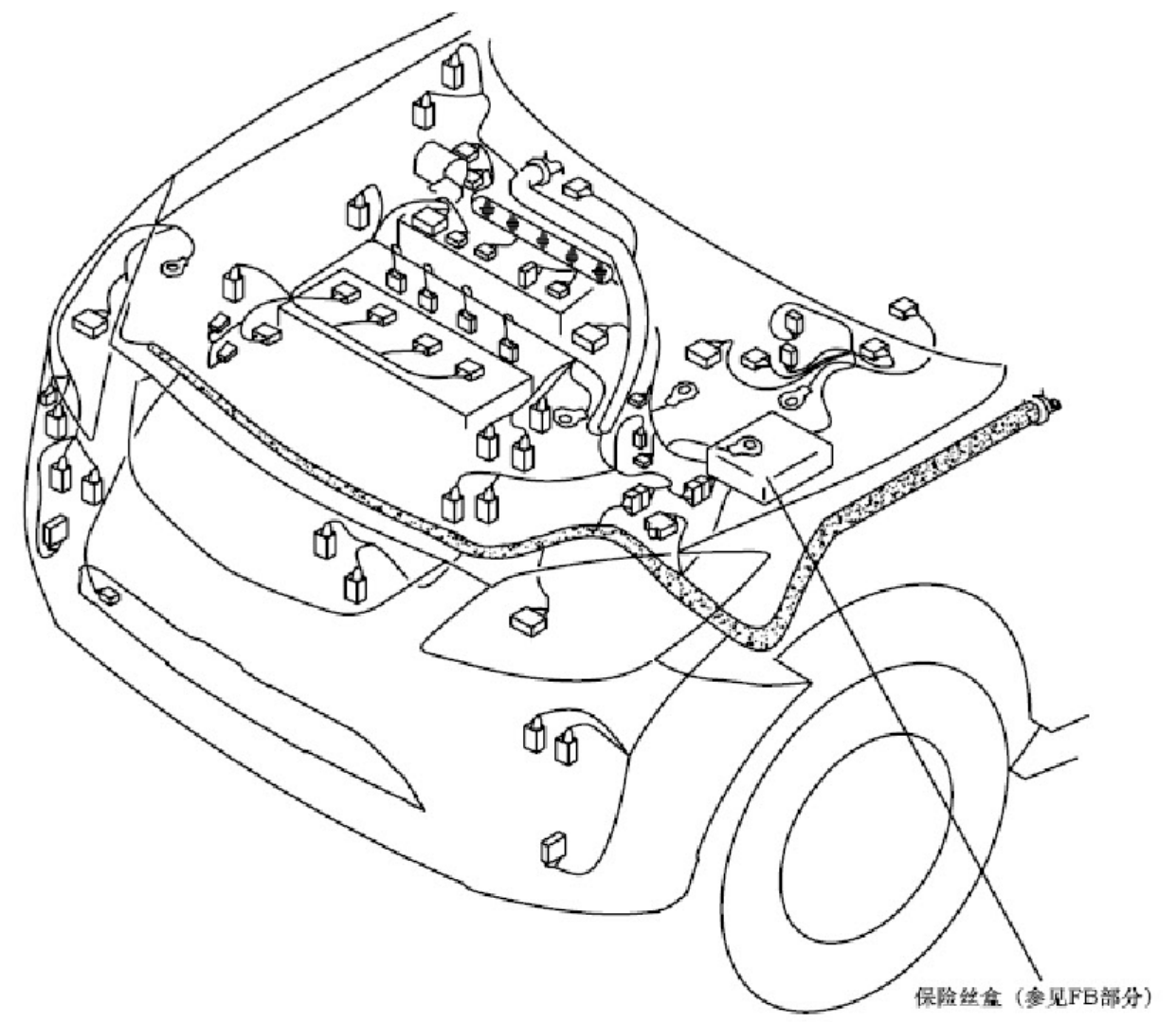
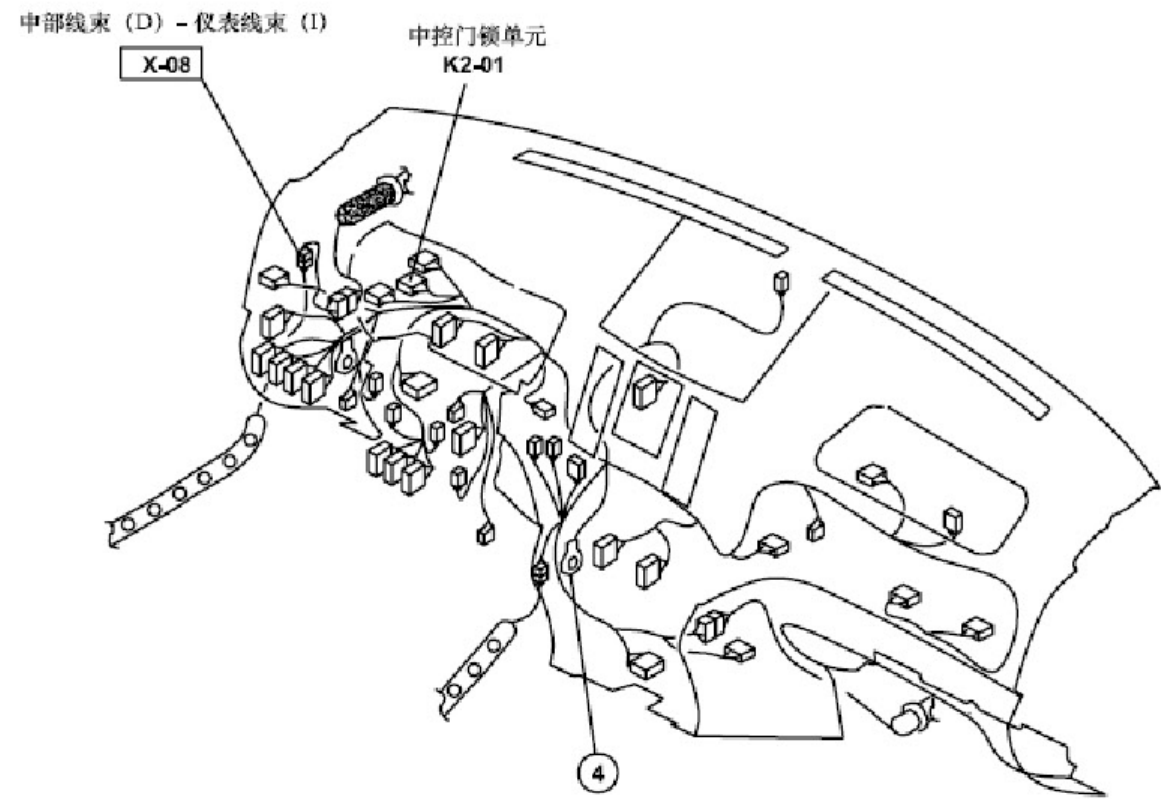


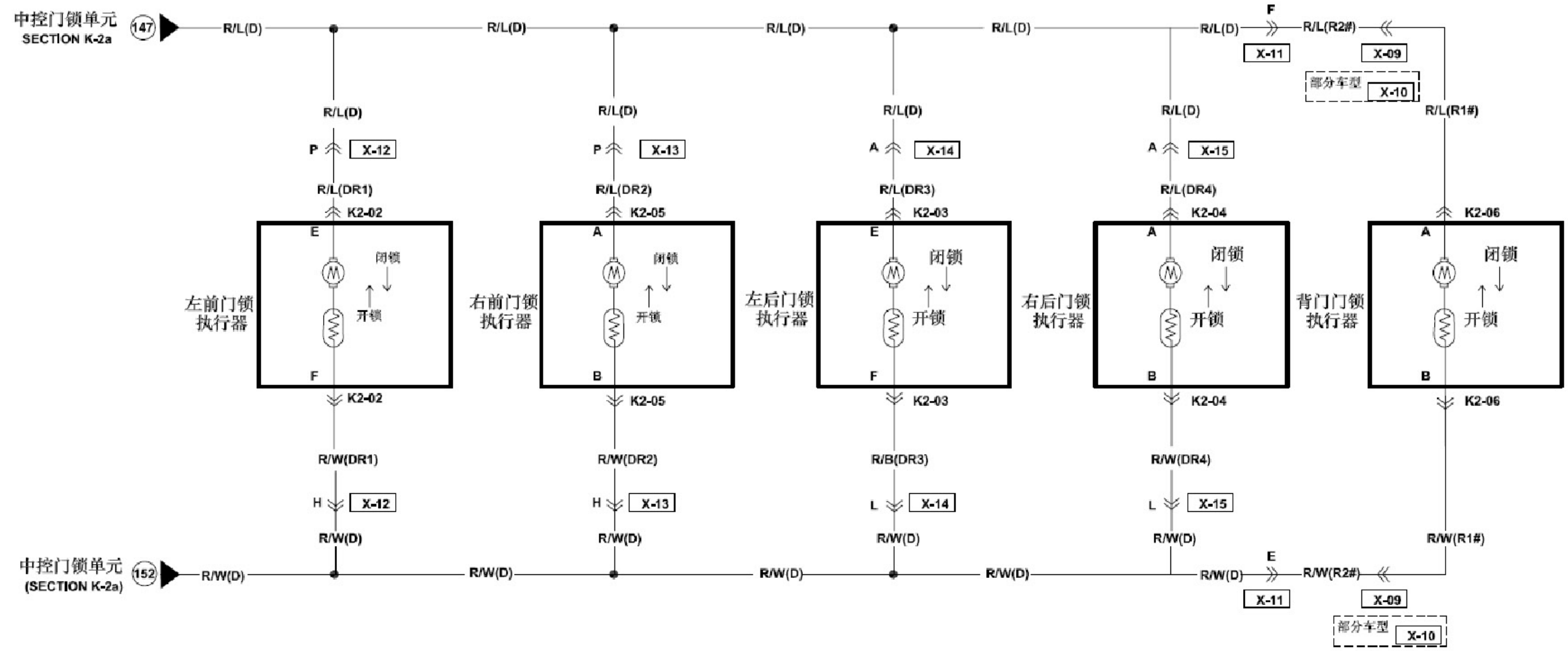
2.25 遥控和中央门锁系统



<p>K2-01 中控门锁单元(D)</p> <table border="1" style="margin-left: auto; margin-right: auto;"> <tr> <td>M</td> <td>*</td> <td>GR/L</td> <td>*</td> <td>⊗</td> <td>R/W</td> <td>V</td> <td>A</td> </tr> <tr> <td>B</td> <td>GR/R</td> <td>*</td> <td>*</td> <td>*</td> <td>R/L</td> <td>*</td> <td>B</td> </tr> <tr> <td>N</td> <td></td> <td></td> <td></td> <td></td> <td></td> <td></td> <td></td> </tr> </table>	M	*	GR/L	*	⊗	R/W	V	A	B	GR/R	*	*	*	R/L	*	B	N								<p>F1-01 中控锁止开关(D)</p> <table border="1" style="margin-left: auto; margin-right: auto;"> <tr> <td>M</td> <td>GR/R</td> <td>*</td> <td>*</td> <td>⊗</td> <td>*</td> <td>B</td> <td>A</td> </tr> <tr> <td>N</td> <td>LG</td> <td>B</td> <td>B</td> <td>*</td> <td>G/W</td> <td>GR/L</td> <td>LG/B</td> </tr> <tr> <td></td> <td></td> <td></td> <td></td> <td></td> <td></td> <td></td> <td></td> </tr> </table>	M	GR/R	*	*	⊗	*	B	A	N	LG	B	B	*	G/W	GR/L	LG/B									<p>K2-02 左前门锁执行器(DR1)</p>	
M	*	GR/L	*	⊗	R/W	V	A																																												
B	GR/R	*	*	*	R/L	*	B																																												
N																																																			
M	GR/R	*	*	⊗	*	B	A																																												
N	LG	B	B	*	G/W	GR/L	LG/B																																												

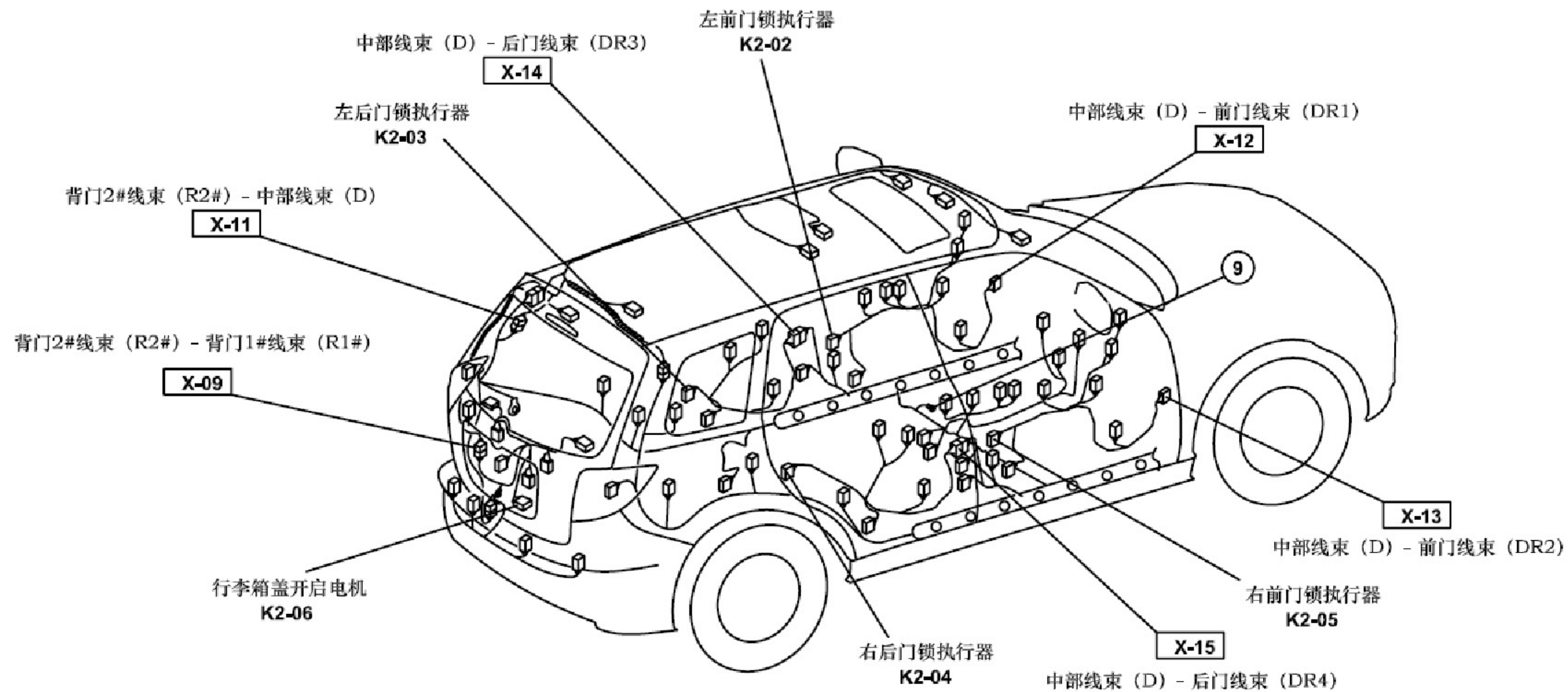


遥控和中央门锁系统 (续1)

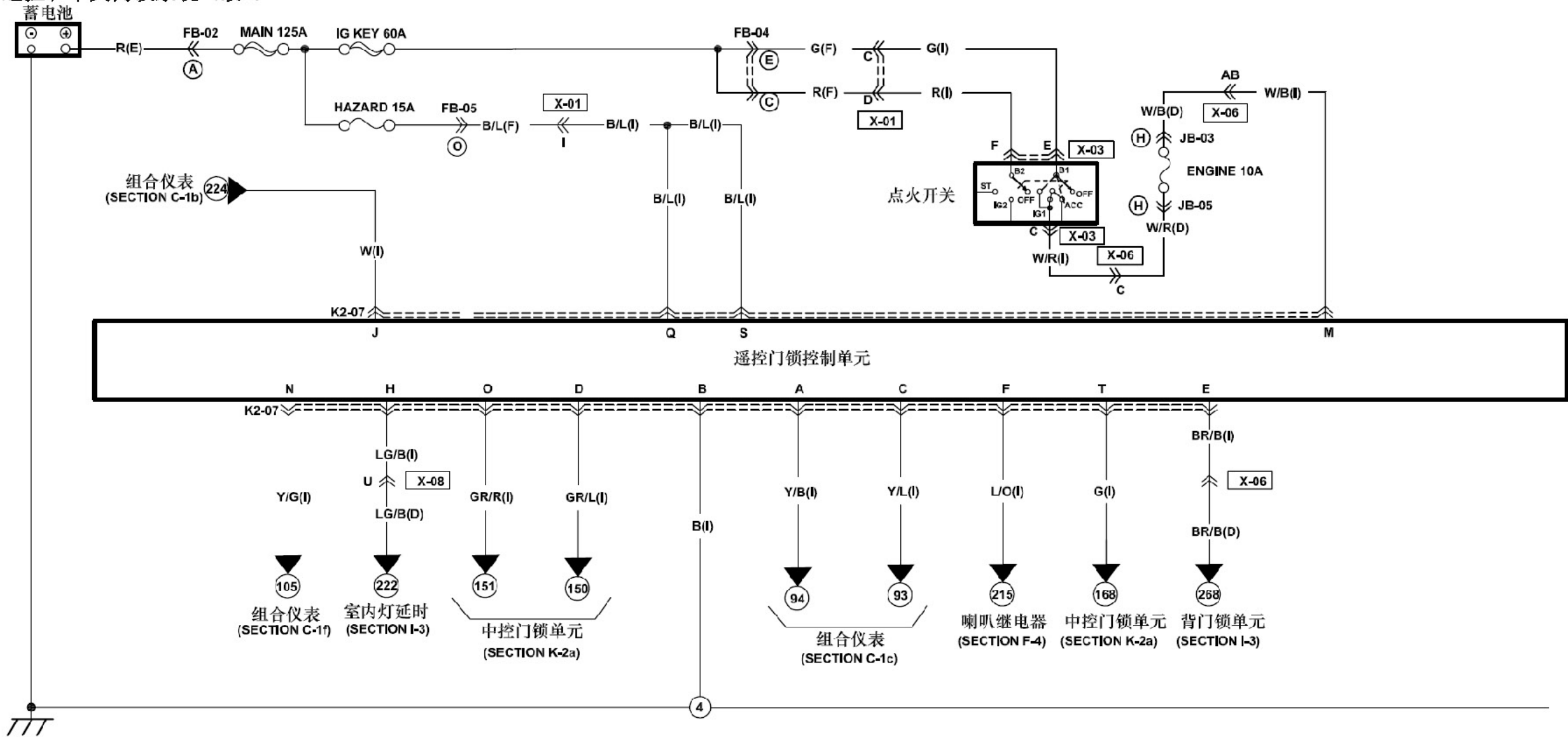


///

<p>K2-02 左前门锁执行器(DR1)</p>	<p>K2-04 右后门锁执行器(DR4)</p>	<p>K2-06 行李箱盖开启电机(R1#)</p>	
<p>K2-03 左后门锁执行器(DR3)</p>	<p>K2-05 右前门锁执行器(DR2)</p>		



遥控和中央门锁系统 (续2)



K2-07 遥控门锁控制单元(I)

S	Q	O	M	K	I	G	E	C	A
B/L	B/L	GR/R	W/B	*	*	*	B	Y/L	Y/B
G	*	*	Y/G	*	W	LG/B	L/O	GR/L	B
T	R	P	N	L	J	H	F	D	B

