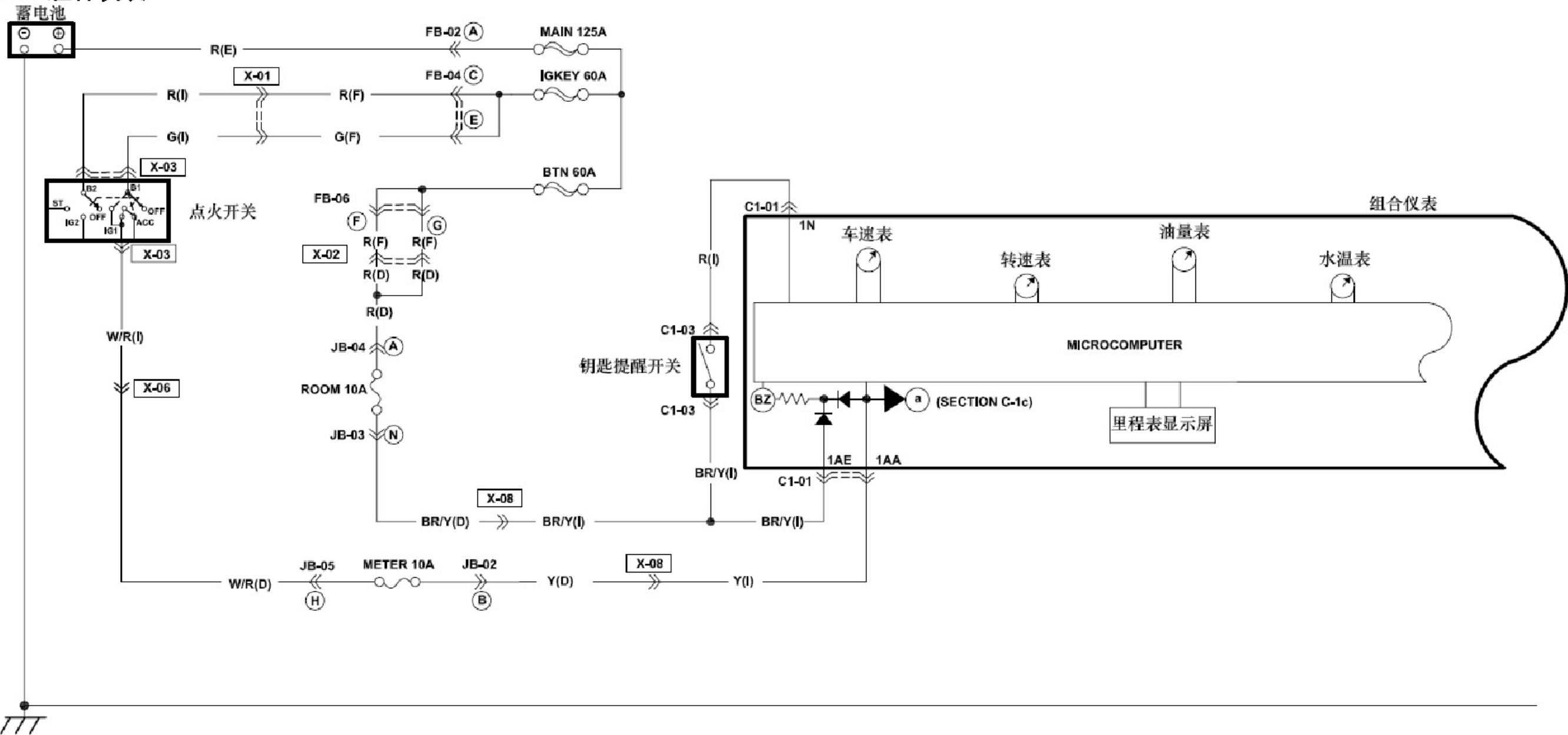
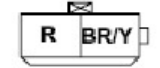
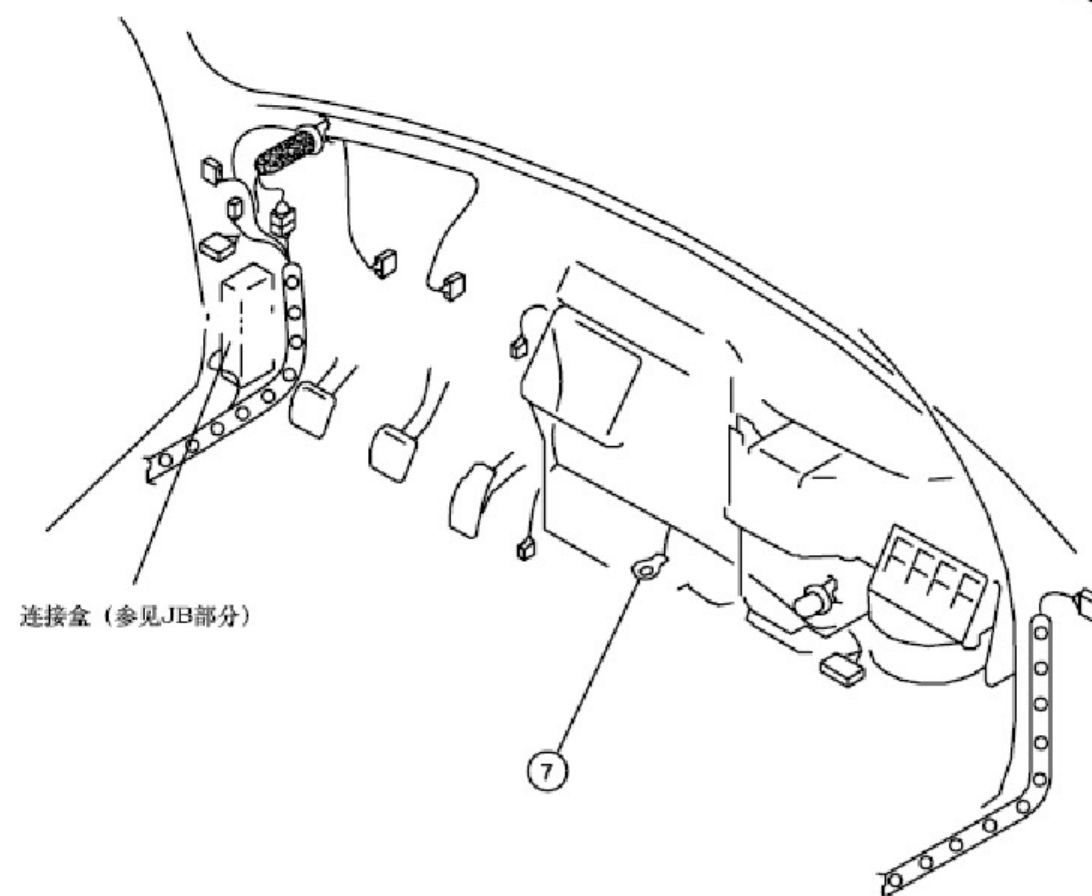
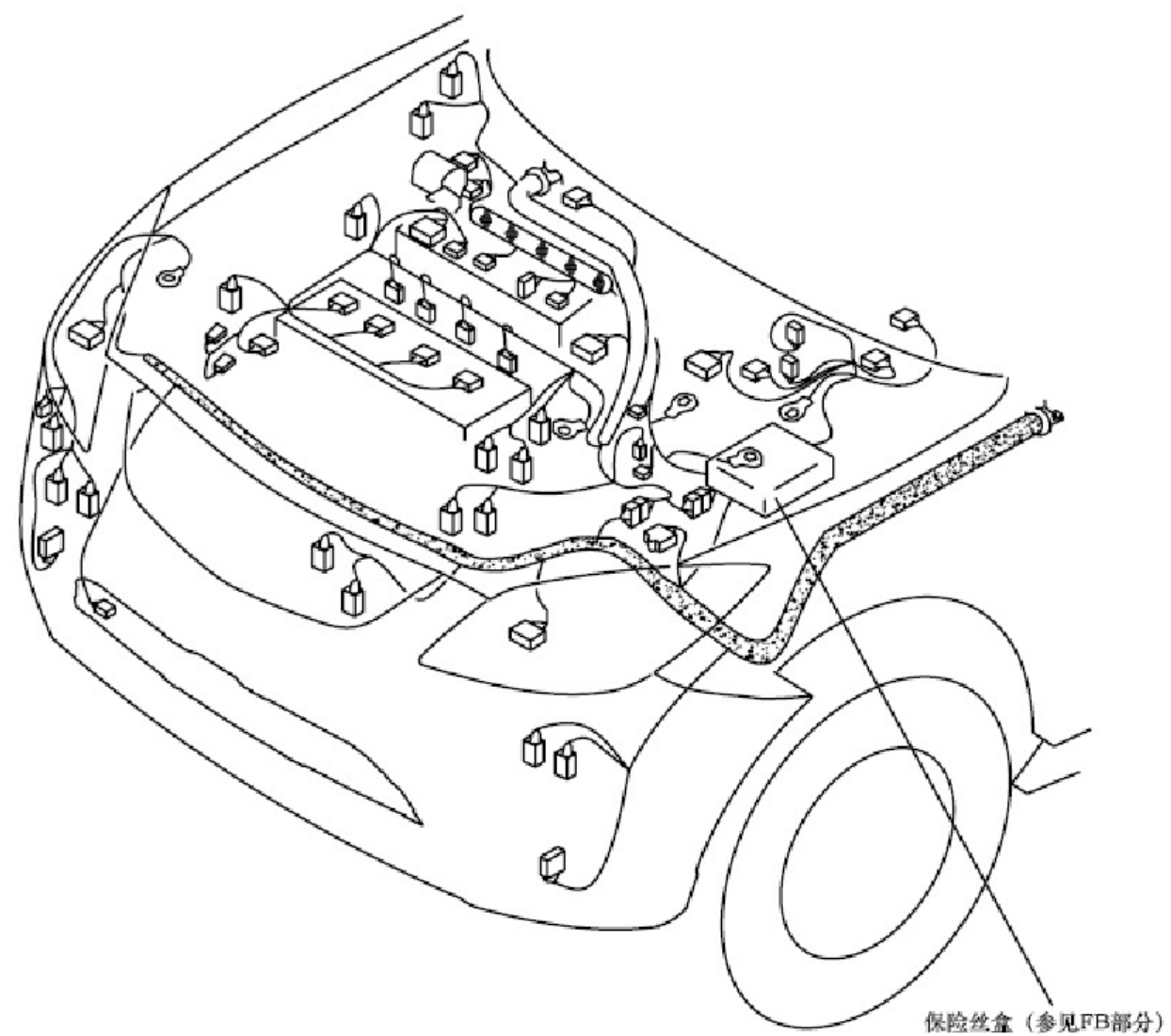
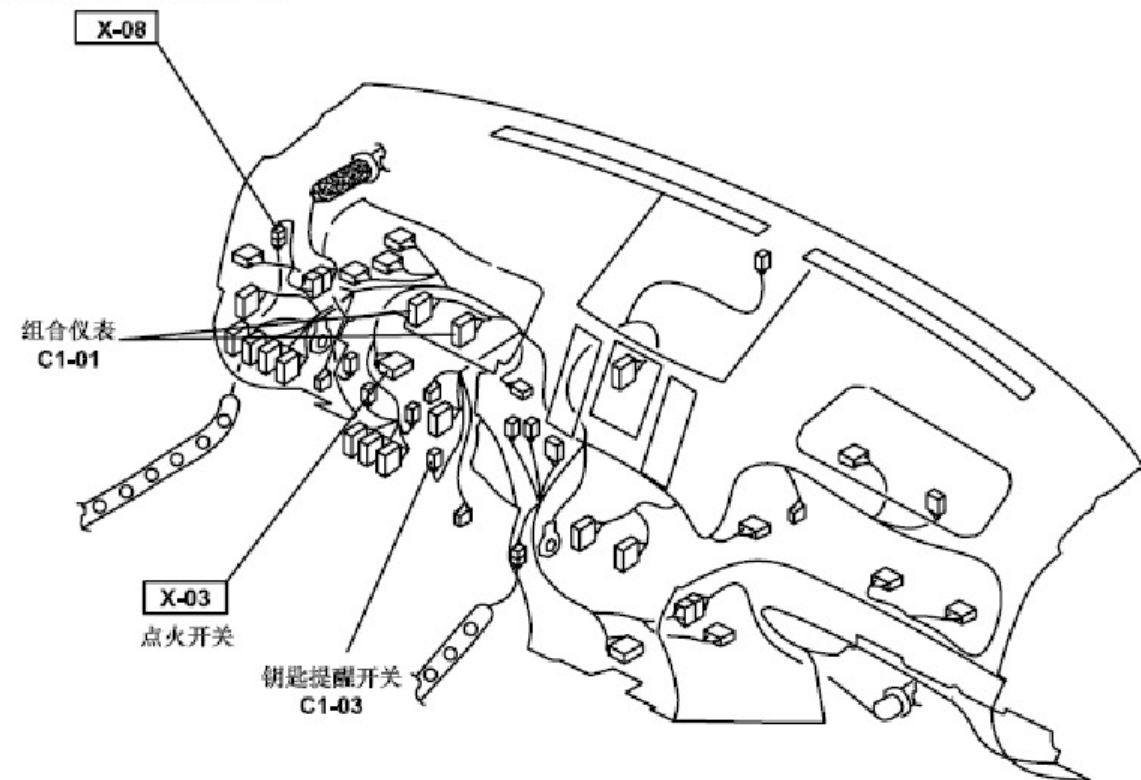


### 2.5 组合仪表

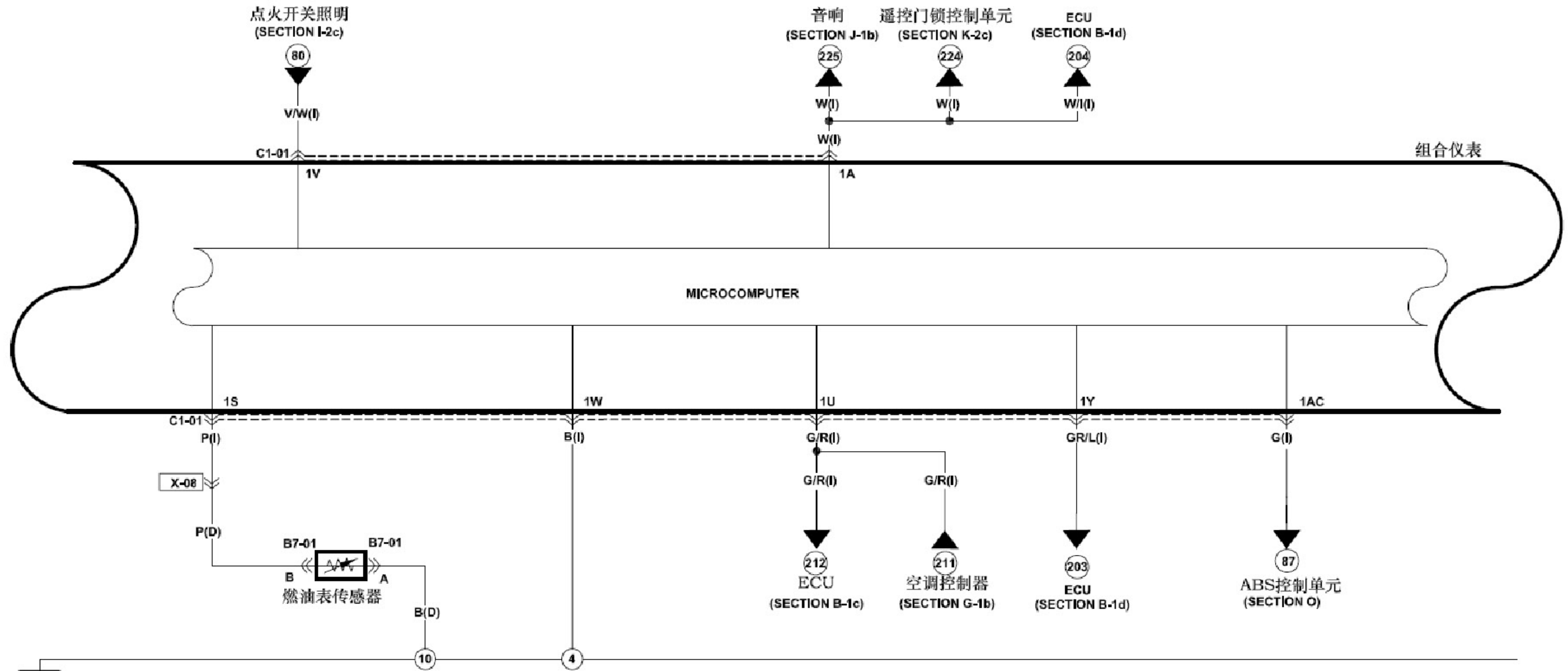


<p>C1-01 组合仪表(I)</p> <table border="1" style="width: 100%; text-align: center;"> <tr> <td>1AE</td> <td colspan="12"></td> <td>1A</td> </tr> <tr> <td>BR/Y</td> <td>G</td> <td>Y</td> <td>GR/L</td> <td>B</td> <td>G/R</td> <td>P</td> <td>*</td> <td>*</td> <td>*</td> <td>*</td> <td>*</td> <td>*</td> <td>*</td> <td>W</td> </tr> <tr> <td>LG/B</td> <td>*</td> <td>LG</td> <td>*</td> <td>*</td> <td>V/W</td> <td>*</td> <td>*</td> <td>*</td> <td>R</td> <td>*</td> <td>B/W</td> <td>GR</td> <td>P/L</td> <td>Y/G</td> </tr> <tr> <td>1AF</td> <td colspan="12"></td> <td>1B</td> </tr> </table>	1AE													1A	BR/Y	G	Y	GR/L	B	G/R	P	*	*	*	*	*	*	*	W	LG/B	*	LG	*	*	V/W	*	*	*	R	*	B/W	GR	P/L	Y/G	1AF													1B	<p>C1-01 组合仪表(II)</p> <table border="1" style="width: 100%; text-align: center;"> <tr> <td>2Q</td> <td colspan="8"></td> <td>2A</td> </tr> <tr> <td>Y/L</td> <td>B/W</td> <td>BR/B</td> <td>B</td> <td>GR/R</td> <td>*</td> <td>LG/R</td> <td>BR/W</td> <td>G/Y</td> </tr> <tr> <td>Y/B</td> <td>*</td> <td>*</td> <td>*</td> <td>L/R</td> <td>G/R</td> <td>V</td> <td>G/W</td> <td>*</td> </tr> <tr> <td>2R</td> <td colspan="8"></td> <td>2B</td> </tr> </table>	2Q									2A	Y/L	B/W	BR/B	B	GR/R	*	LG/R	BR/W	G/Y	Y/B	*	*	*	L/R	G/R	V	G/W	*	2R									2B	<p>C1-03 钥匙提醒开关(II)</p> 
1AE													1A																																																																																					
BR/Y	G	Y	GR/L	B	G/R	P	*	*	*	*	*	*	*	W																																																																																				
LG/B	*	LG	*	*	V/W	*	*	*	R	*	B/W	GR	P/L	Y/G																																																																																				
1AF													1B																																																																																					
2Q									2A																																																																																									
Y/L	B/W	BR/B	B	GR/R	*	LG/R	BR/W	G/Y																																																																																										
Y/B	*	*	*	L/R	G/R	V	G/W	*																																																																																										
2R									2B																																																																																									

中部线束 (D) - 仪表线束 (I)

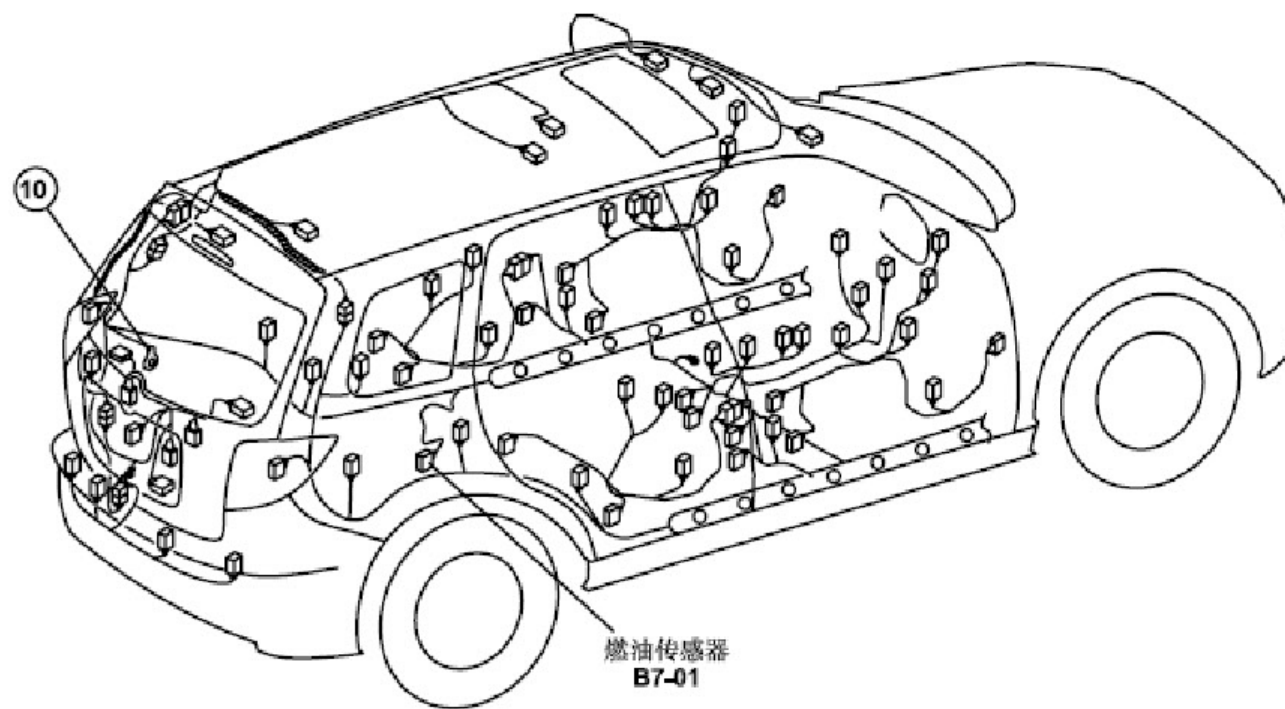
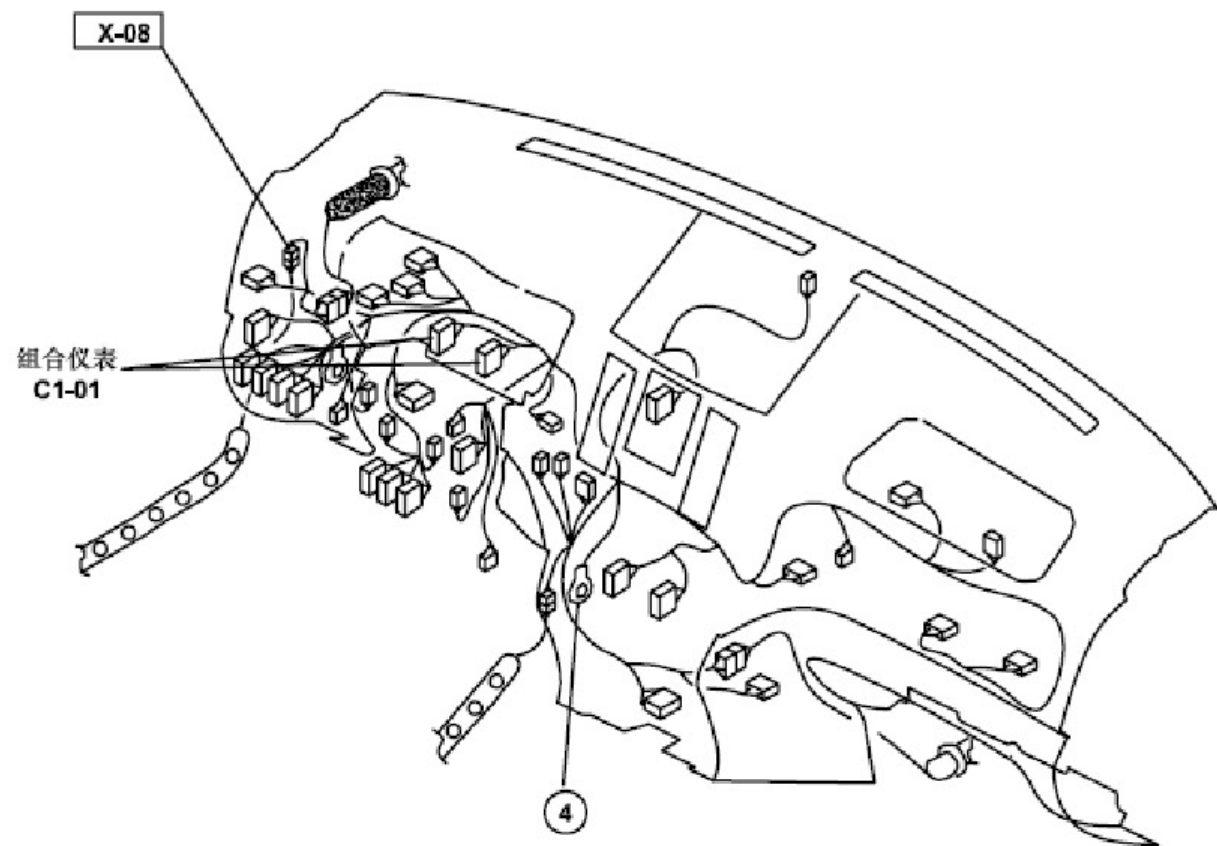


组合仪表 (续1)

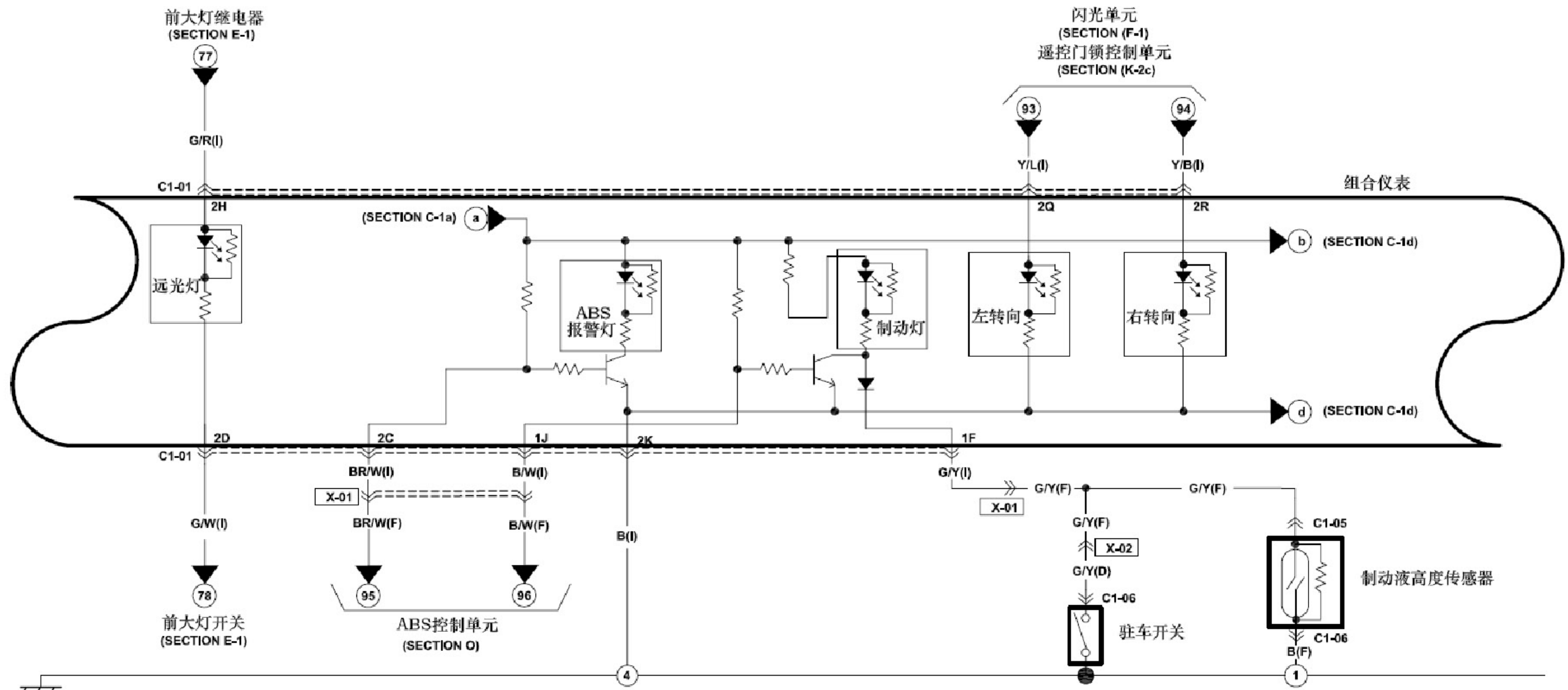


C1-01 组合仪表(I)													C1-01 组合仪表(I)													B7-01 燃油表传感器(D)			
1AE													2Q													D C B A			
BR/Y	G	Y	GR/L	B	G/R	P	*	*	*	*	*	*	W	Y/L	B/W	BR/B	B	GR/R	*	LG/R	BR/W	G/Y	B	LB	P	B			
LG/B	*	LG	*	*	V/W	*	*	*	R	*	B/W	GR	P/L	Y/G	Y/R	Y/B	*	*	*	L/R	G/R	V	G/W	*	D	C	B	A	
1AF													2R													2B			

中部线束 (D) - 仪表线束 (I)



组合仪表 (续2)



**C1-01 组合仪表(l)**

1AE	G	Y	GR/L	B	G/R	P	*	*	*	*	*	*	*	W	1A
BR/Y	G	Y	GR/L	B	G/R	P	*	*	*	*	*	*	*	W	
1AF	*	LG	*	*	V/W	*	*	*	R	*	B/W	GR	P/L	Y/G	Y/R
LG/B	*	LG	*	*	V/W	*	*	*	R	*	B/W	GR	P/L	Y/G	Y/R

**C1-01 组合仪表(l)**

2Q	B/W	BR/B	B	GR/R	*	LG/R	BR/W	G/Y	2A
Y/L	B/W	BR/B	B	GR/R	*	LG/R	BR/W	G/Y	
2R	*	*	*	L/R	G/R	V	G/W	*	2B
Y/B	*	*	*	L/R	G/R	V	G/W	*	

