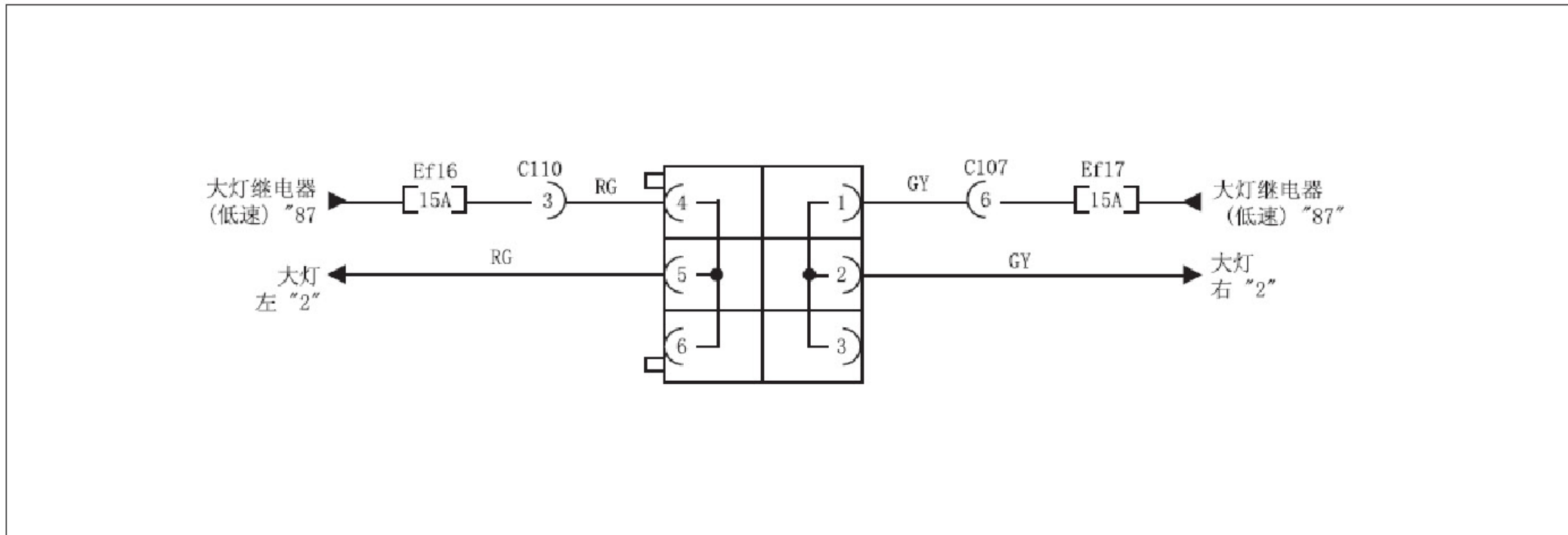
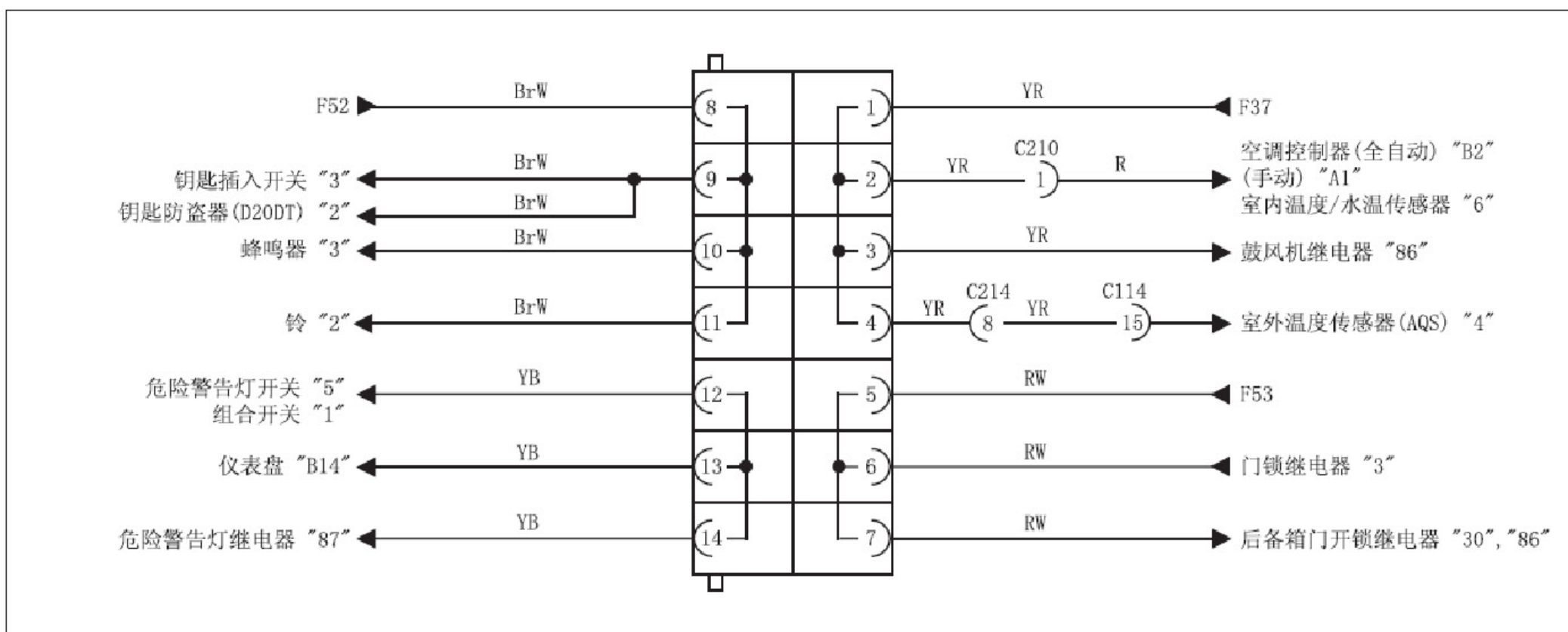


### 1.9 短接连接器

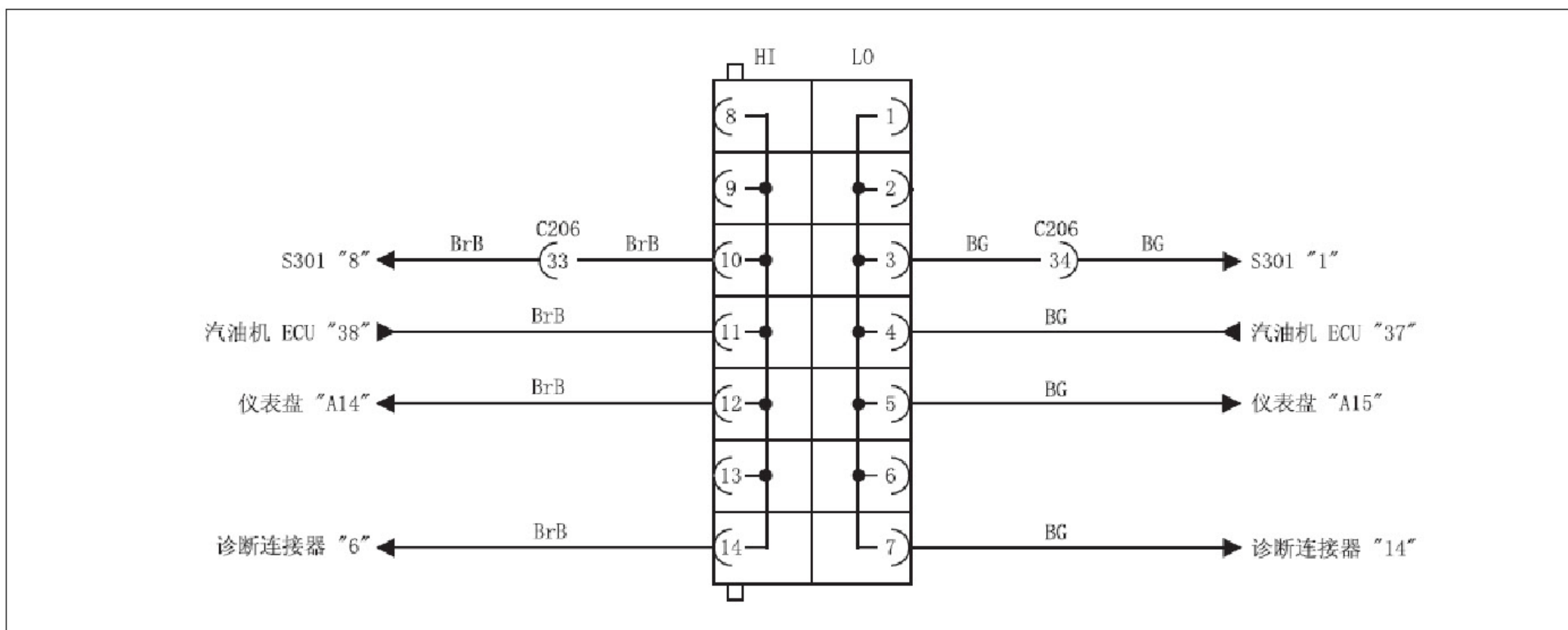
#### • S101



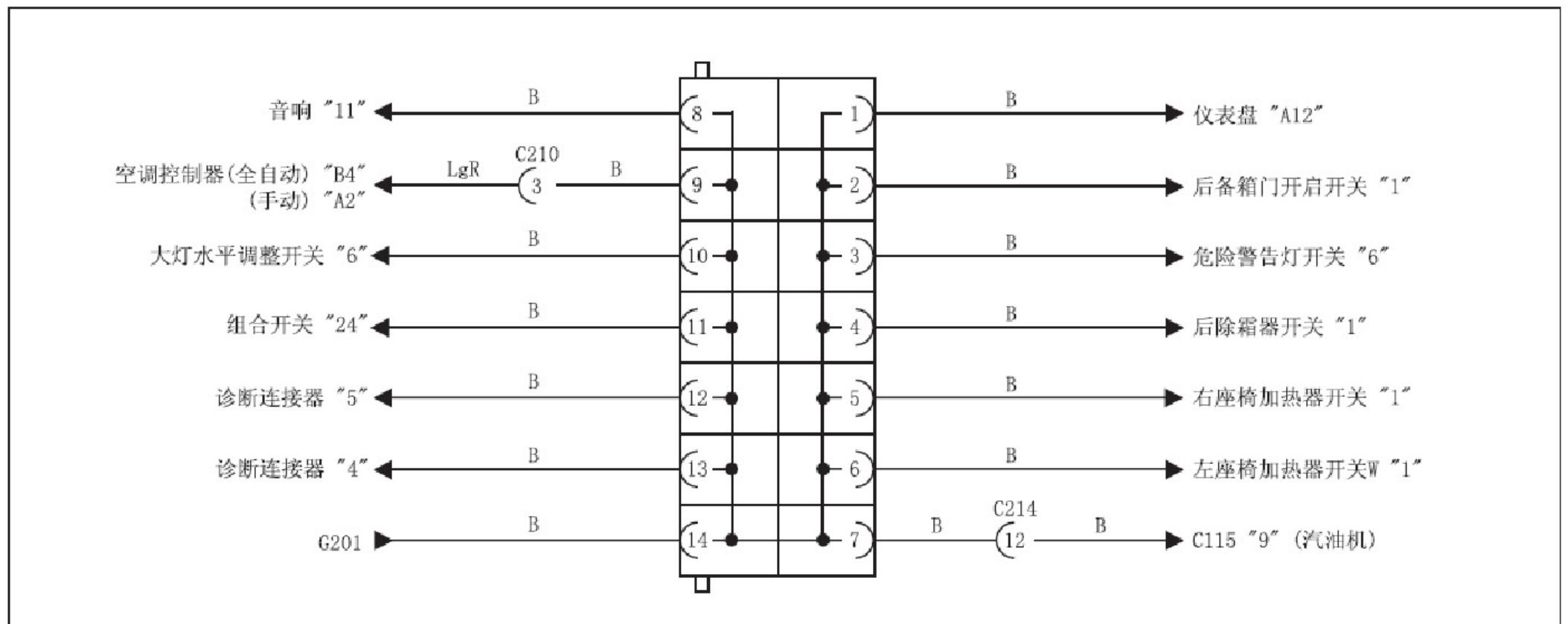
#### • S201



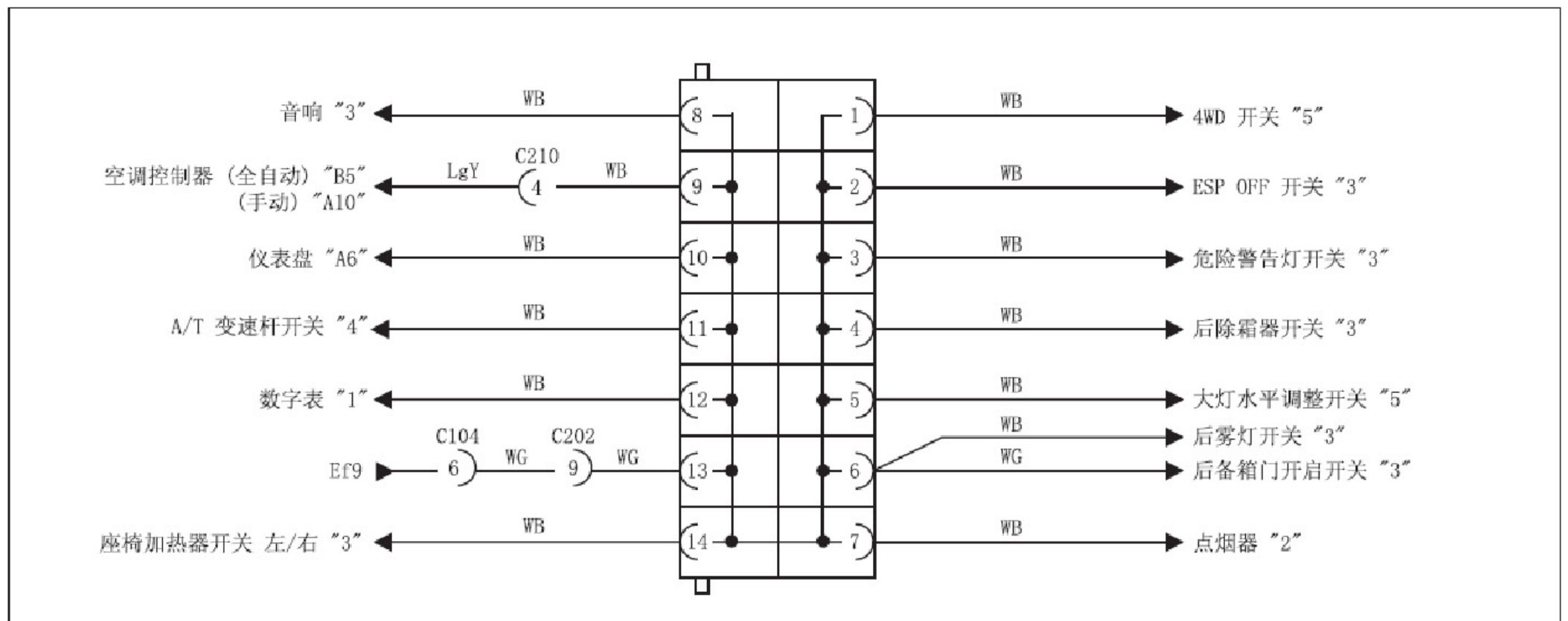
#### • S202 (CAN)



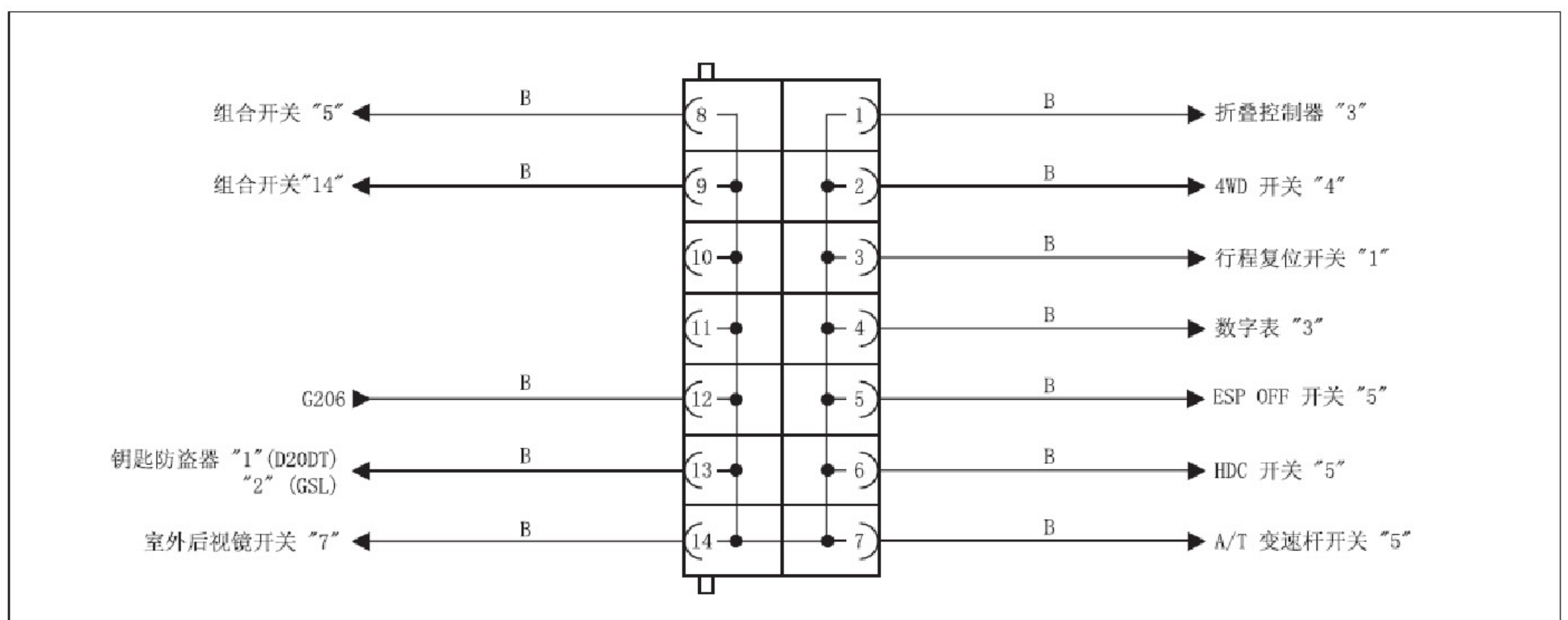
## • S203 (GND)



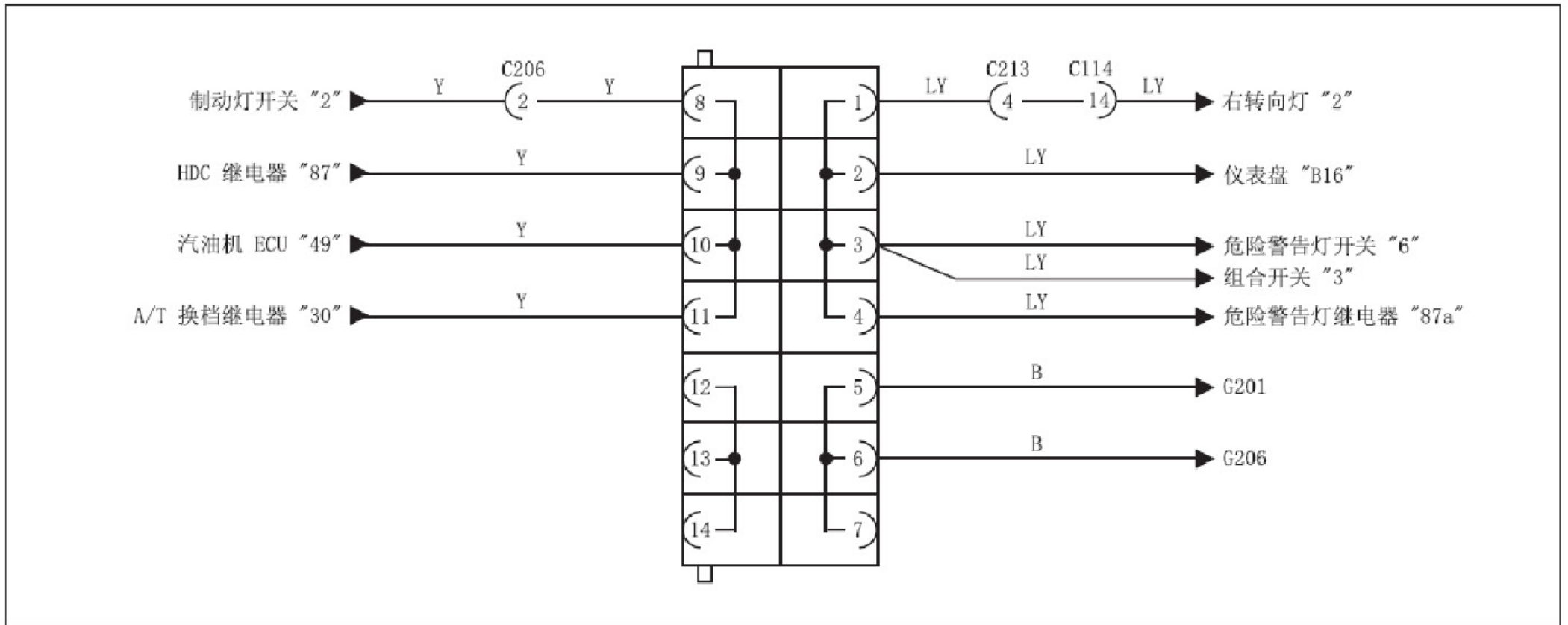
## • S204 (ILL+)



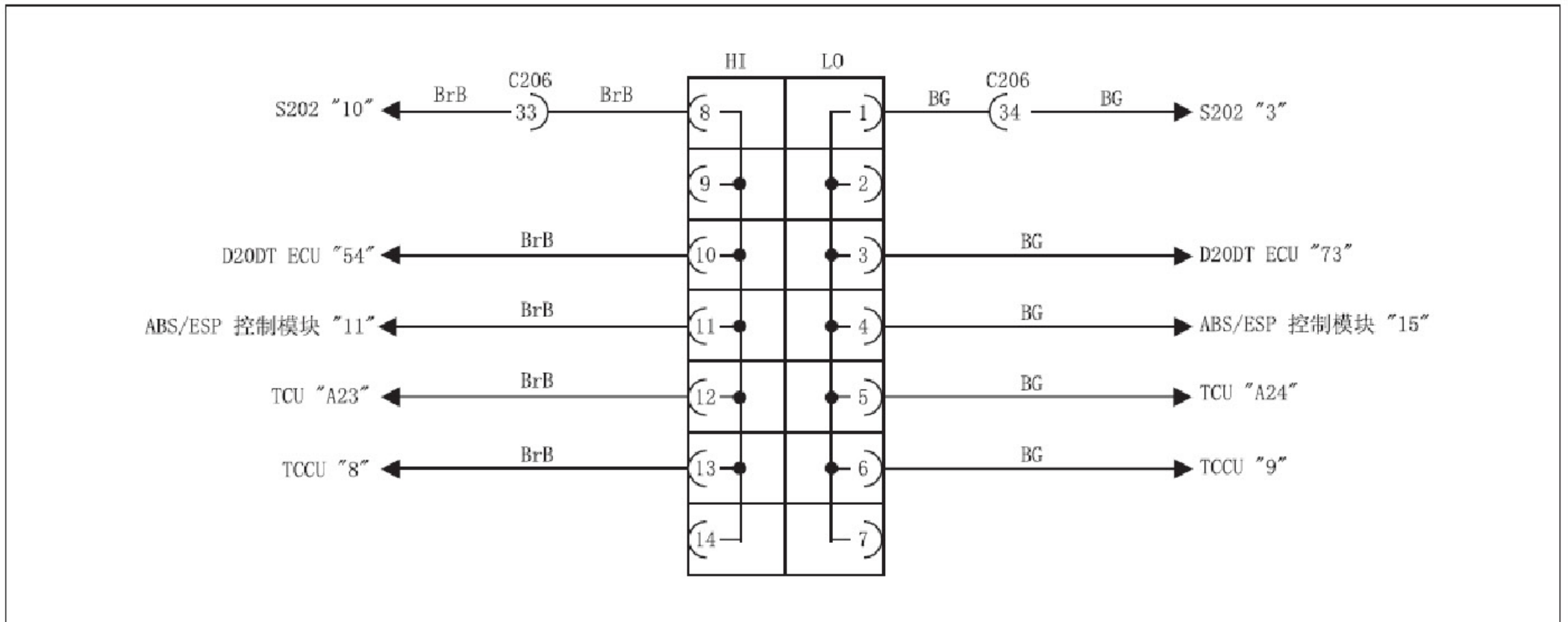
## • S205 (GND)



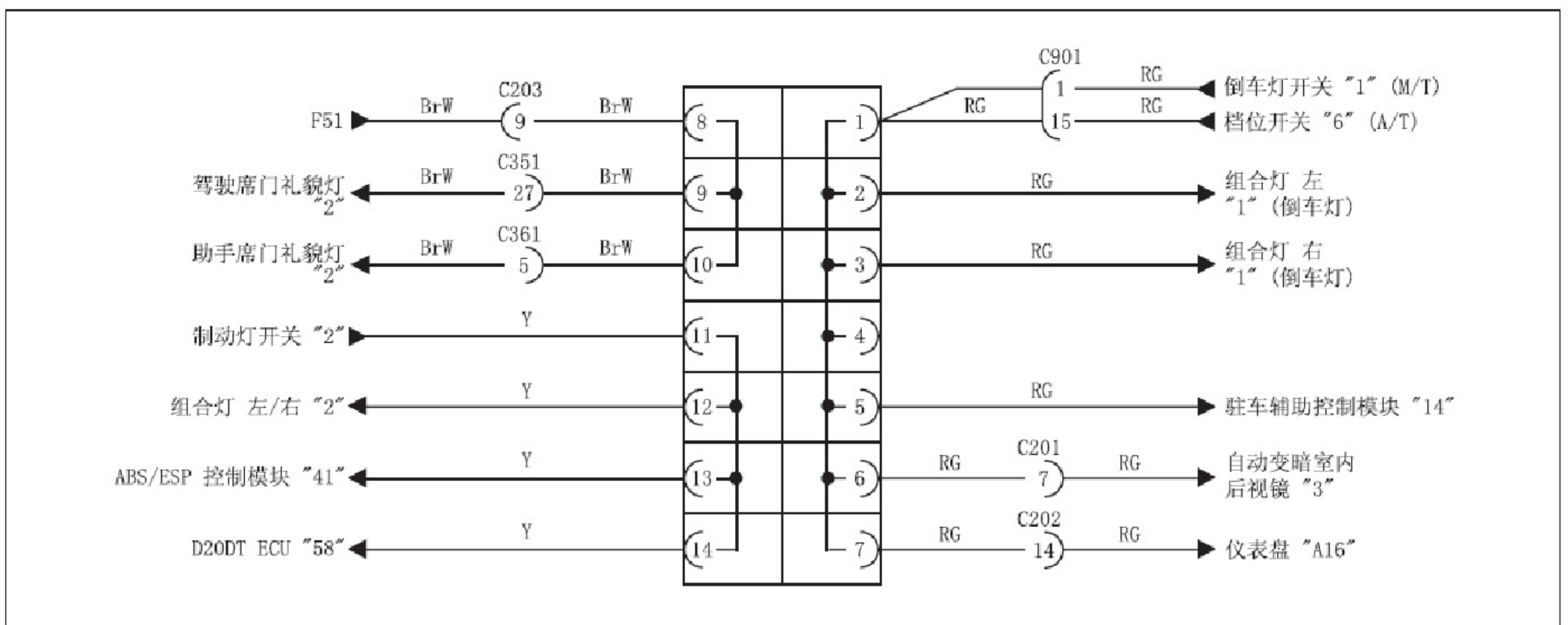
• S206



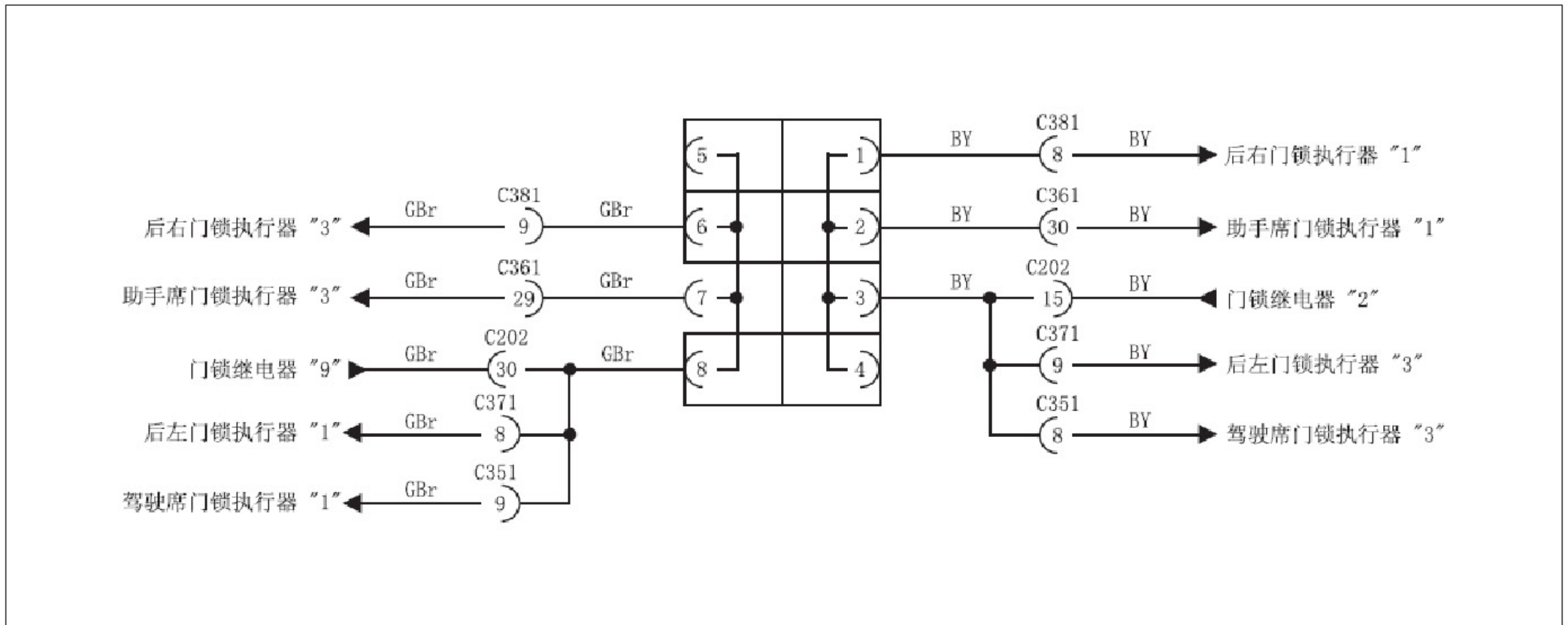
• S301 (CAN)



• S302



• S303



LAUNCH