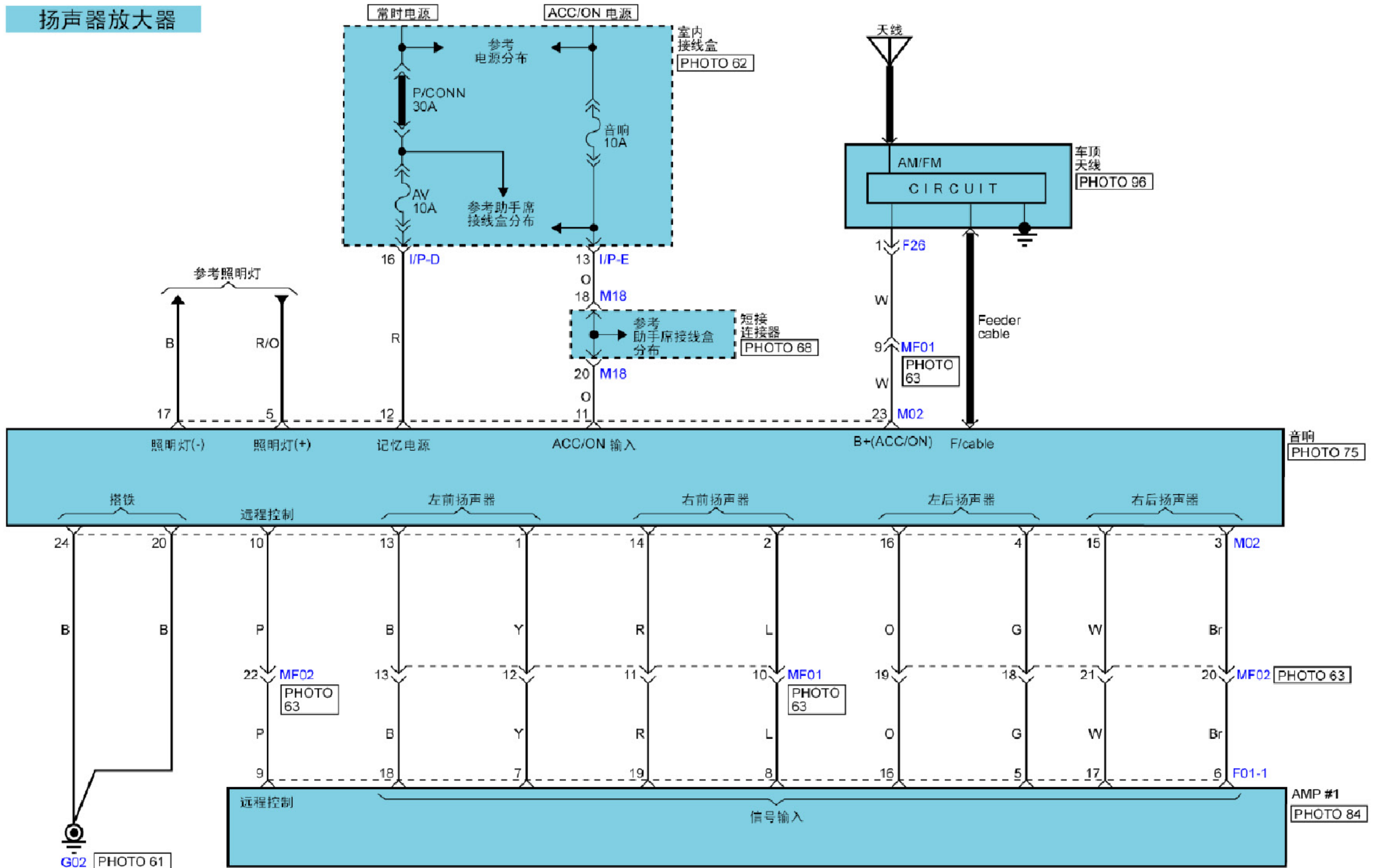


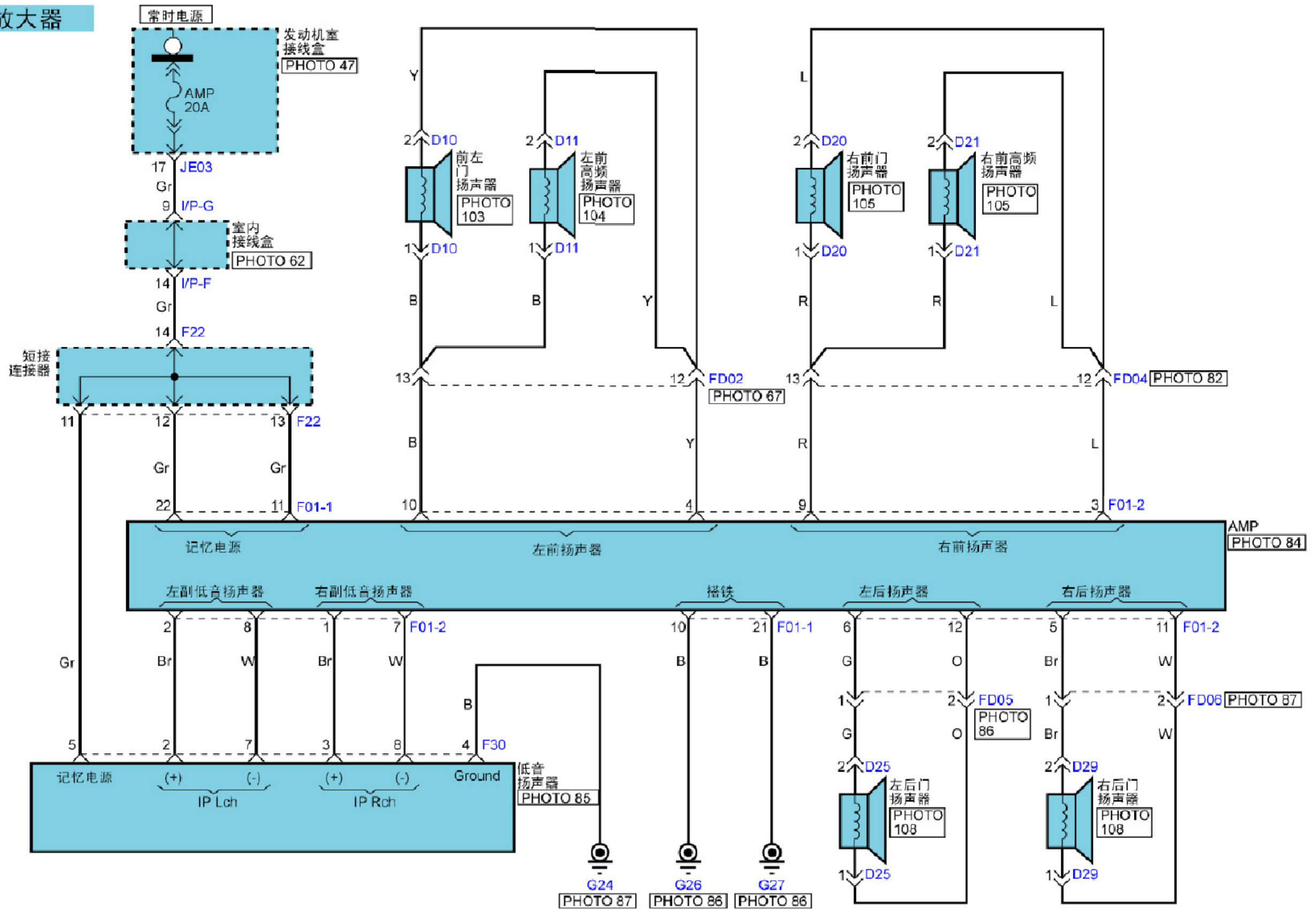
2.38 音响系统

扬声器放大器



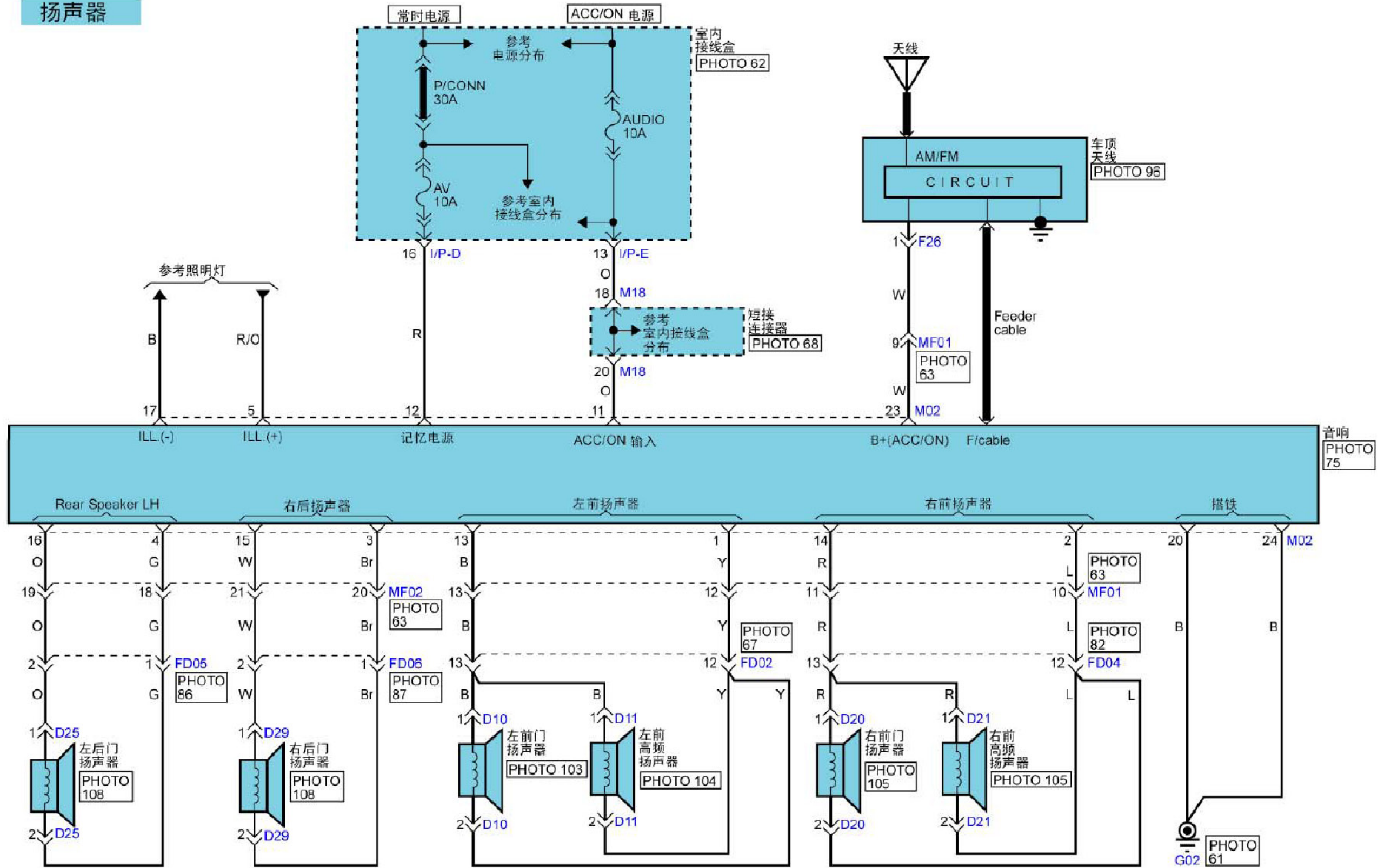
音响系统 (续)

扬声器放大器

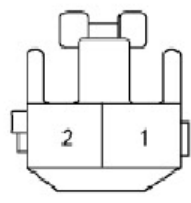
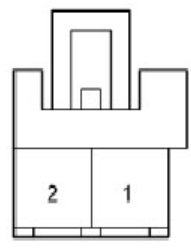
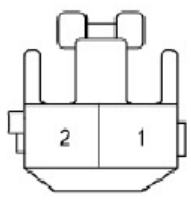
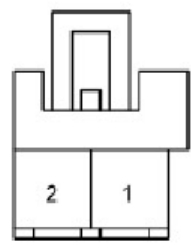
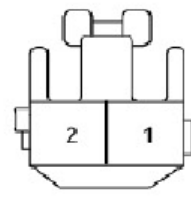
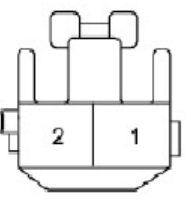
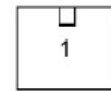
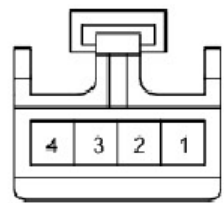


音响系统 (续)

扬声器



音响系统 (续)

<p>D10</p>  <p>KET_090II_02F_W_L</p>	<p>D11</p>  <p>KUM_CDR_02F_W</p>	<p>D20</p>  <p>KET_090II_02F_W_L</p>	<p>D21</p>  <p>KUM_CDR_02F_W</p>																																												
<p>D25</p>  <p>KET_090II_02F_W_L</p>	<p>D29</p>  <p>KET_090II_02F_W_L</p>	<p>F01-1</p> <table border="1" data-bbox="1780 682 2433 882"> <tr> <td>11</td> <td>10</td> <td>9</td> <td>8</td> <td>7</td> <td>6</td> <td>5</td> <td>*</td> <td>*</td> <td>*</td> <td>*</td> </tr> <tr> <td>22</td> <td>21</td> <td>*</td> <td>19</td> <td>18</td> <td>17</td> <td>16</td> <td>*</td> <td>*</td> <td>*</td> <td>*</td> </tr> </table> <p>AMP_0407_22F_W_HD</p>		11	10	9	8	7	6	5	*	*	*	*	22	21	*	19	18	17	16	*	*	*	*																						
11	10	9	8	7	6	5	*	*	*	*																																					
22	21	*	19	18	17	16	*	*	*	*																																					
<p>F01-2</p> <table border="1" data-bbox="356 997 727 1218"> <tr> <td>6</td> <td>5</td> <td>4</td> <td>3</td> <td>2</td> <td>1</td> </tr> <tr> <td>12</td> <td>11</td> <td>10</td> <td>9</td> <td>8</td> <td>7</td> </tr> </table> <p>AMP_0407_12F_W_070</p>	6	5	4	3	2	1	12	11	10	9	8	7	<p>F26</p>  <p>AMP_PLM1_01F_B</p>	<p>F30</p> <table border="1" data-bbox="1647 1018 1929 1186"> <tr> <td>3</td> <td>2</td> <td>*</td> <td>*</td> </tr> <tr> <td>8</td> <td>7</td> <td>5</td> <td>4</td> </tr> </table> <p>AMP_070_08F_W</p>	3	2	*	*	8	7	5	4	<p>M02</p> <table border="1" data-bbox="2196 1018 2656 1207"> <tr> <td>12</td> <td>11</td> <td>10</td> <td>*</td> <td>*</td> <td>*</td> <td>*</td> <td>5</td> <td>4</td> <td>3</td> <td>2</td> <td>1</td> </tr> <tr> <td>24</td> <td>23</td> <td>*</td> <td>*</td> <td>20</td> <td>*</td> <td>*</td> <td>17</td> <td>16</td> <td>15</td> <td>14</td> <td>13</td> </tr> </table> <p>KET_0409_24F_W</p>	12	11	10	*	*	*	*	5	4	3	2	1	24	23	*	*	20	*	*	17	16	15	14	13
6	5	4	3	2	1																																										
12	11	10	9	8	7																																										
3	2	*	*																																												
8	7	5	4																																												
12	11	10	*	*	*	*	5	4	3	2	1																																				
24	23	*	*	20	*	*	17	16	15	14	13																																				
<p>M32</p>  <p>FUR_FA_04F_B_AB</p>	<p>BLANK</p>		<p>BLANK</p>																																												