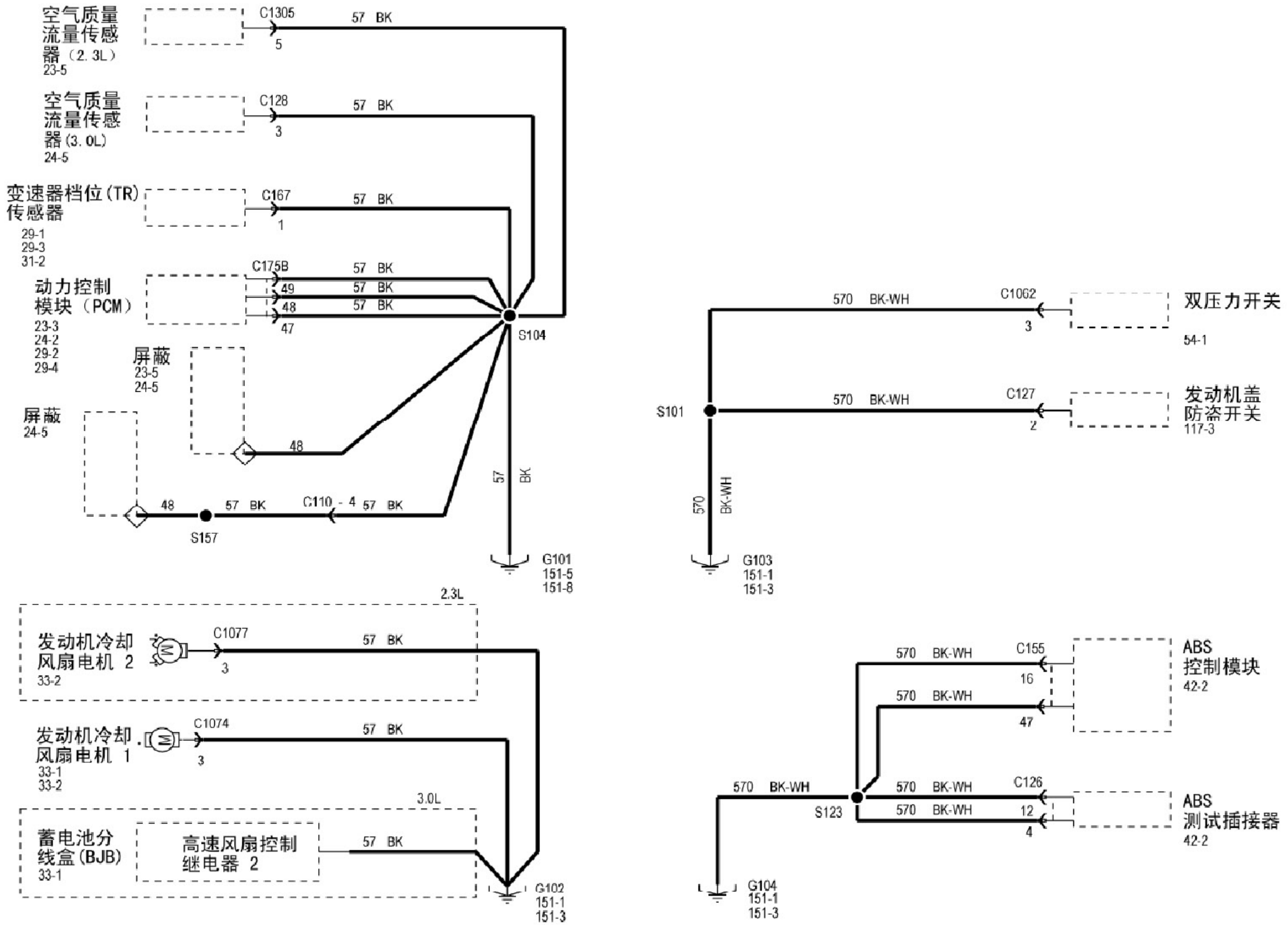
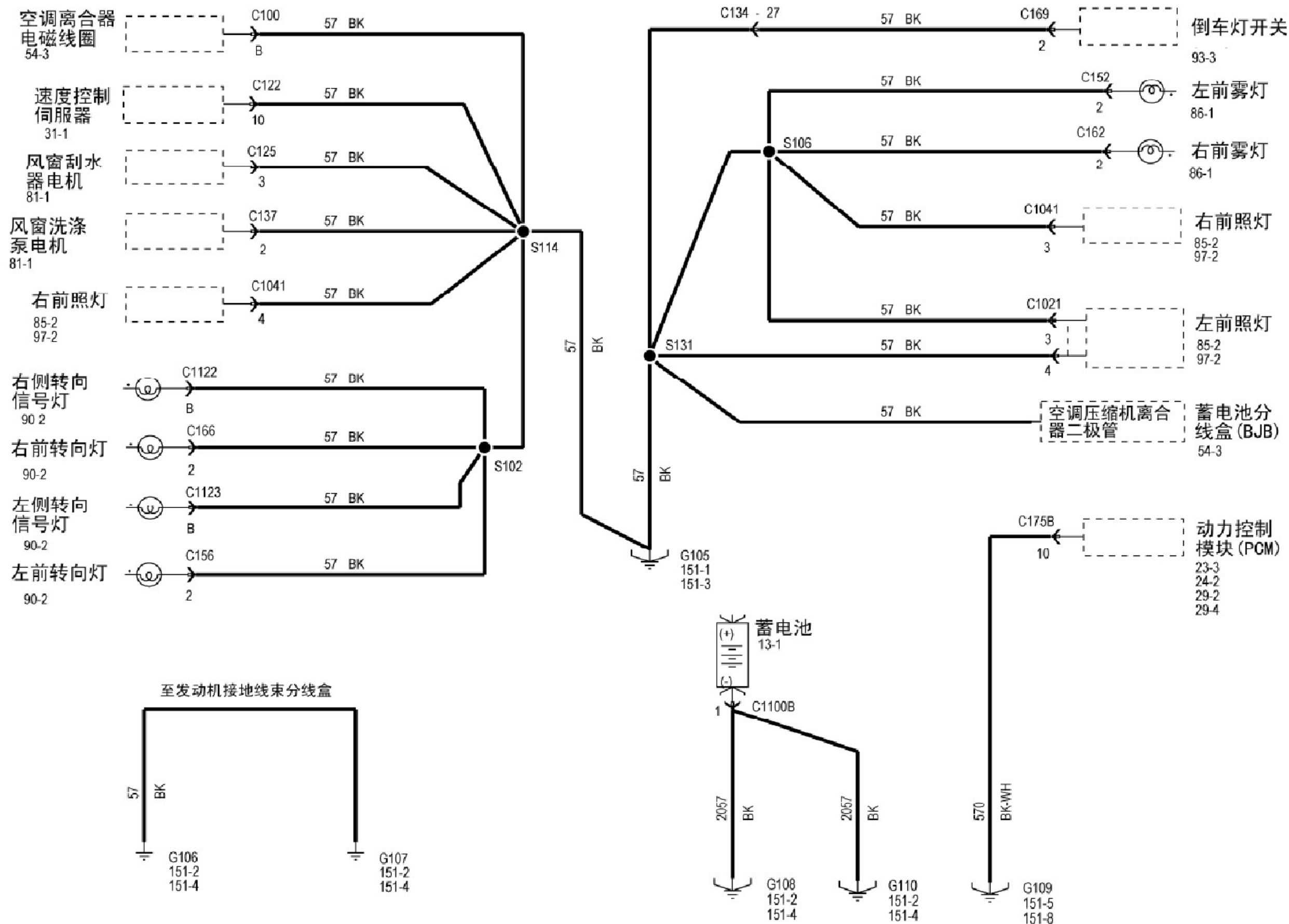


2.3 接地电路

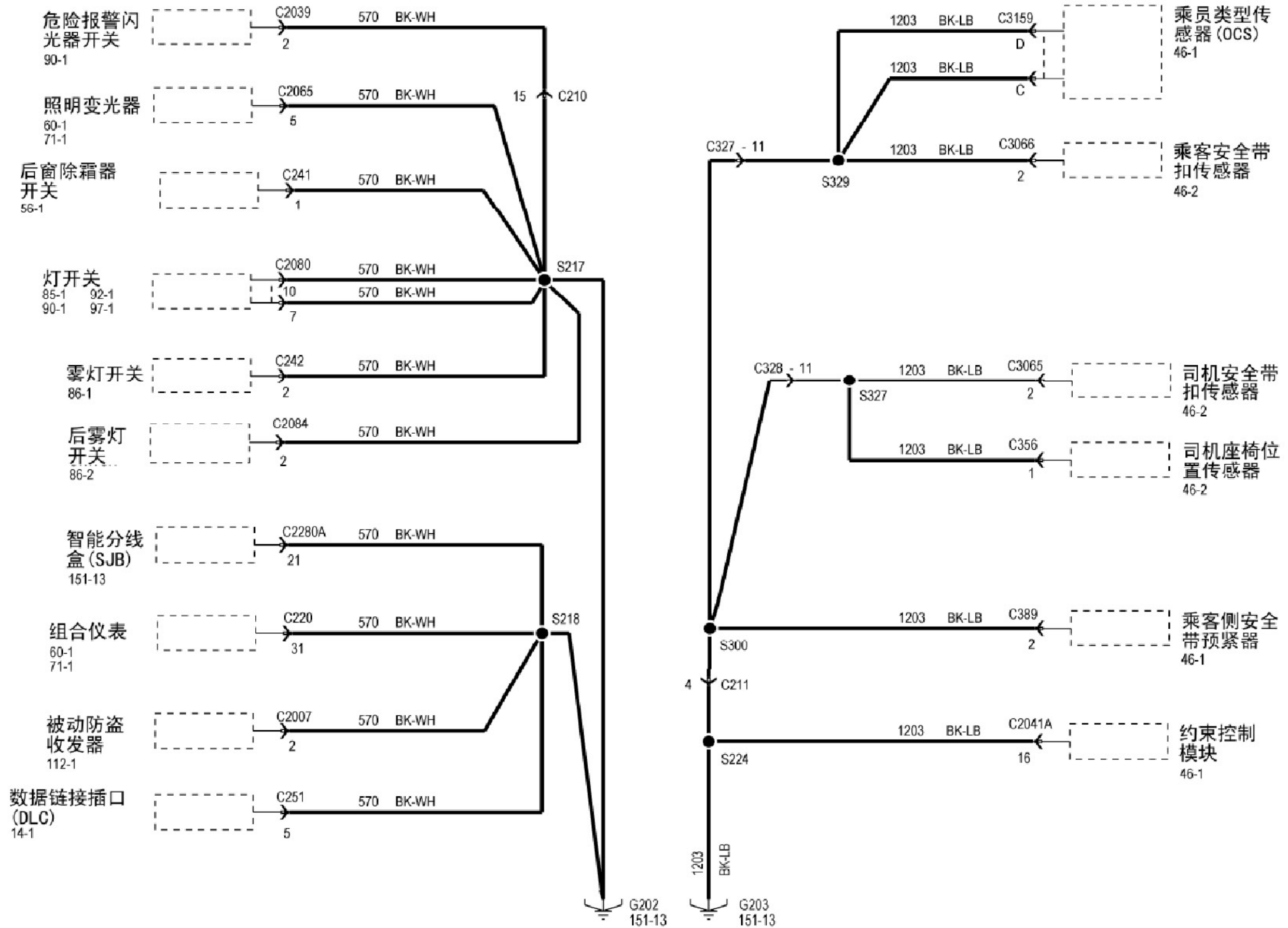
G101, G102, G103, G104



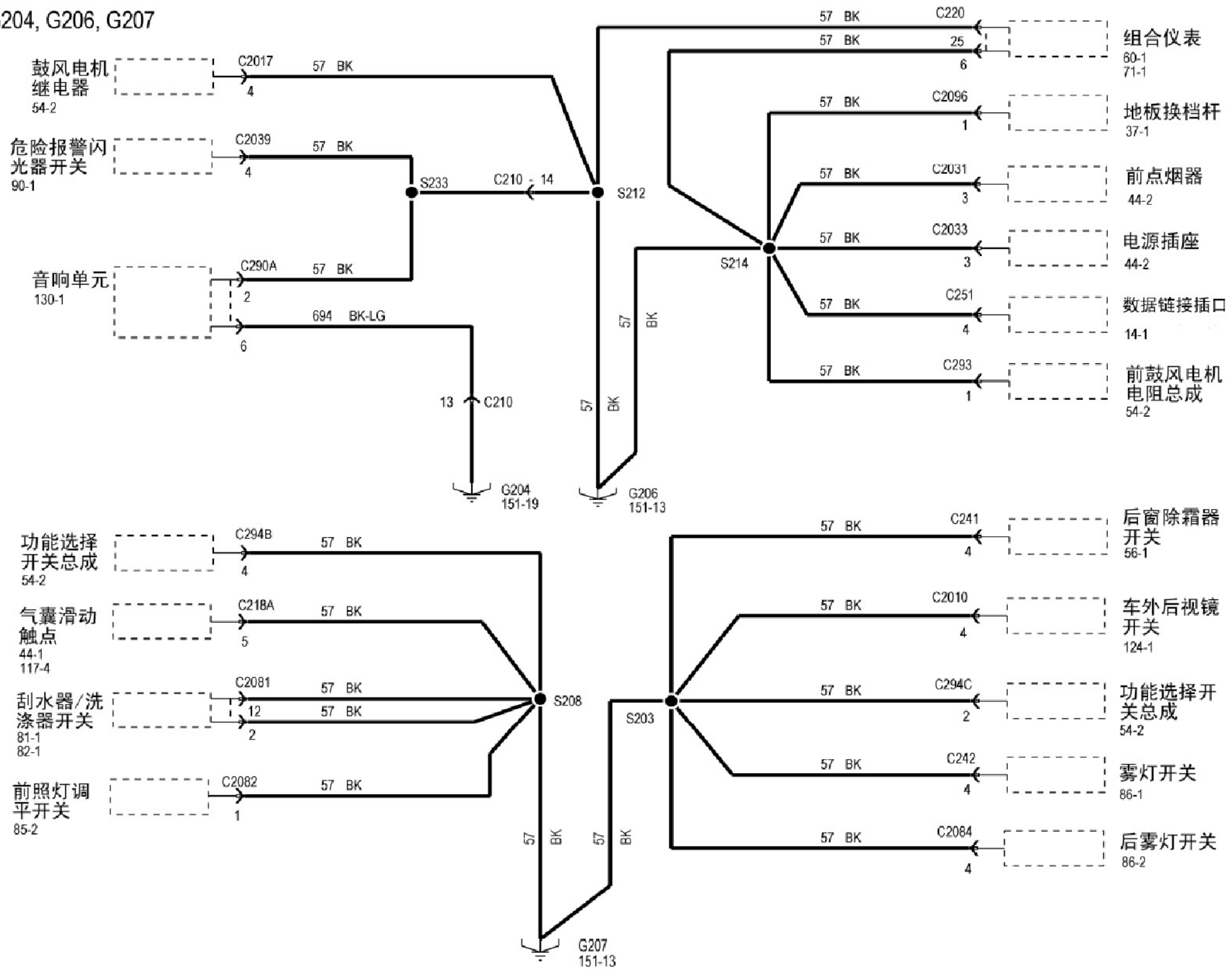
G105, G106, G107, G108, G109, G110



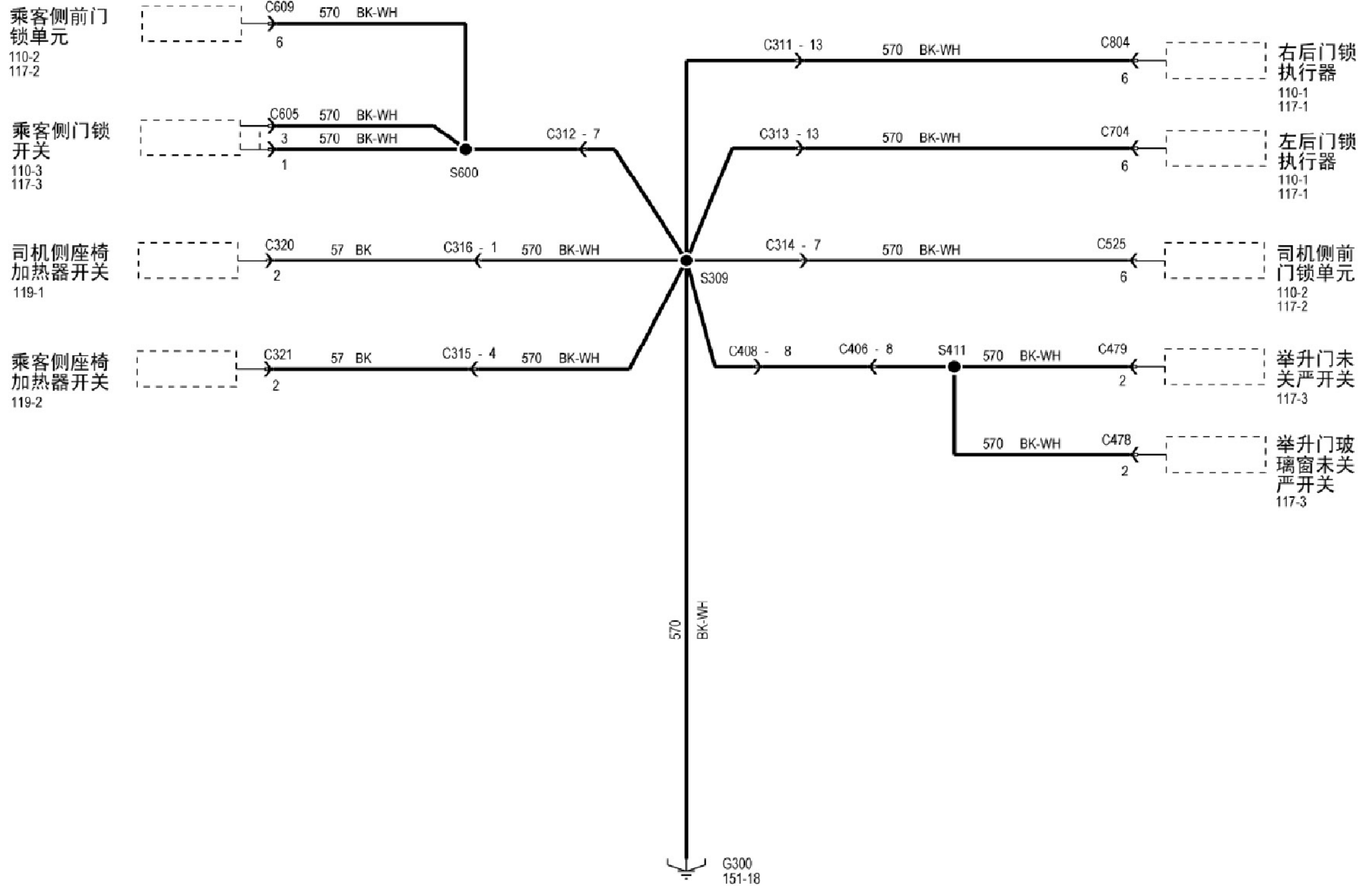
G202, G203

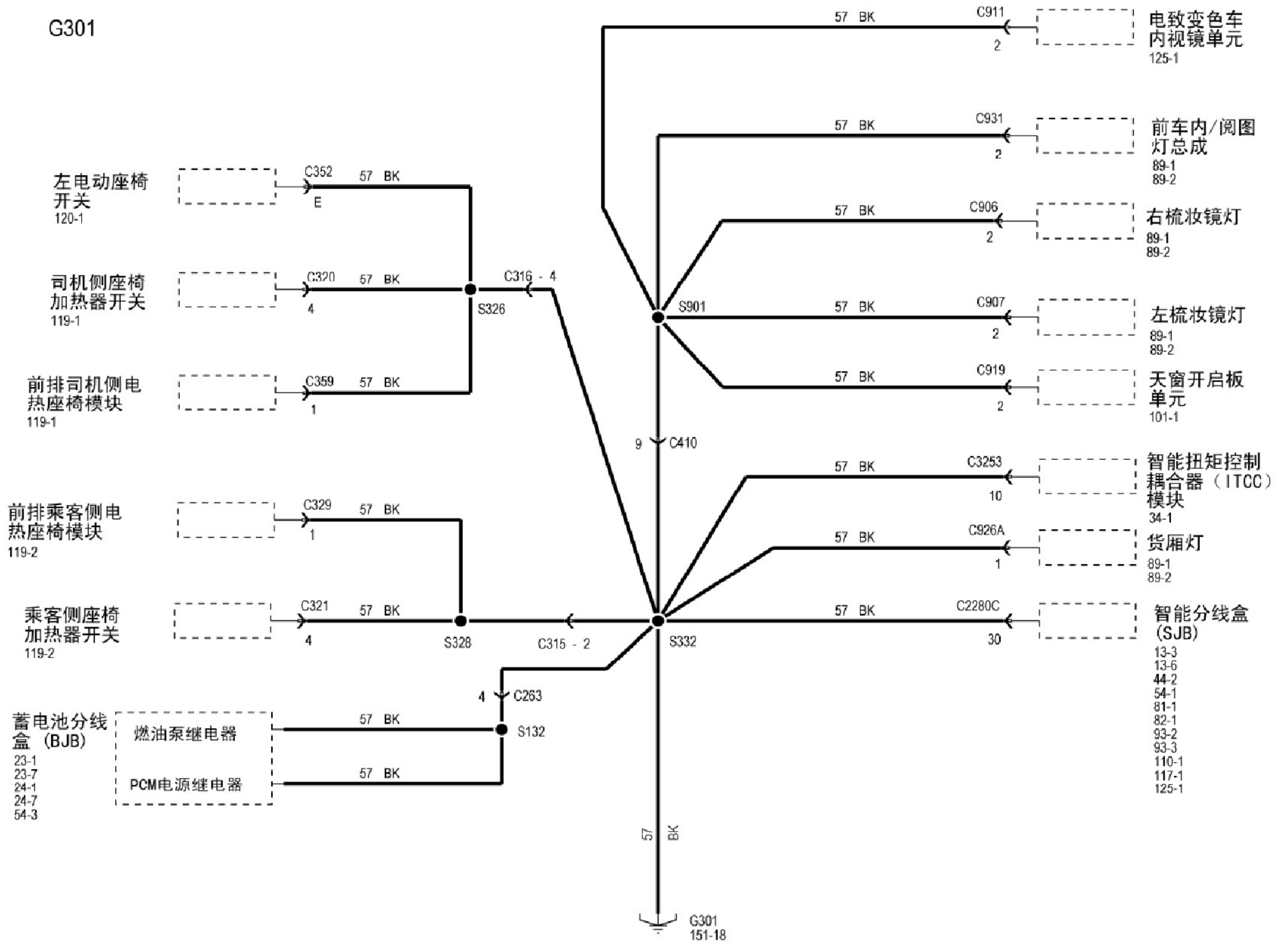


G204, G206, G207

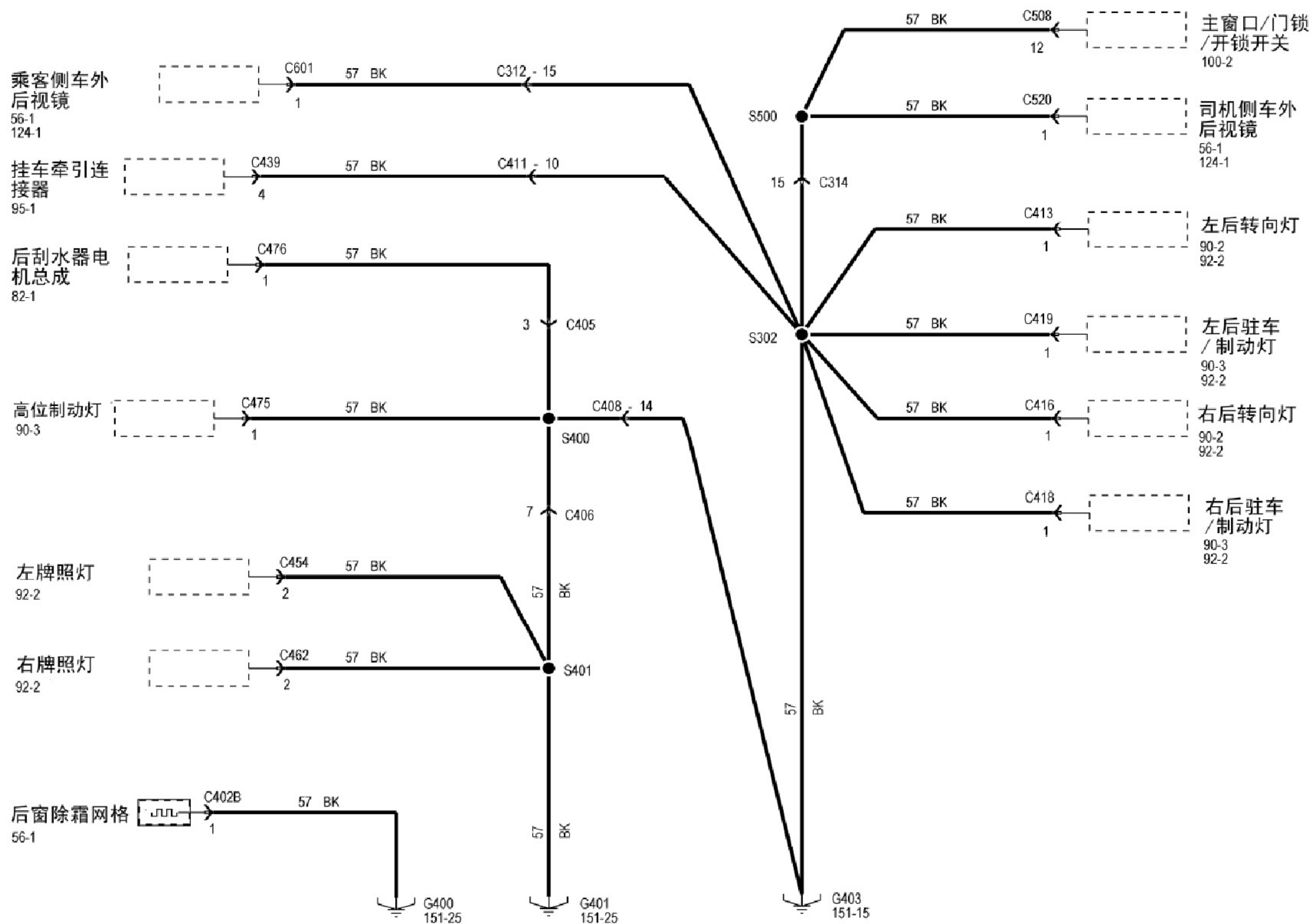


G300





G400, G401, G403



G402, G405

