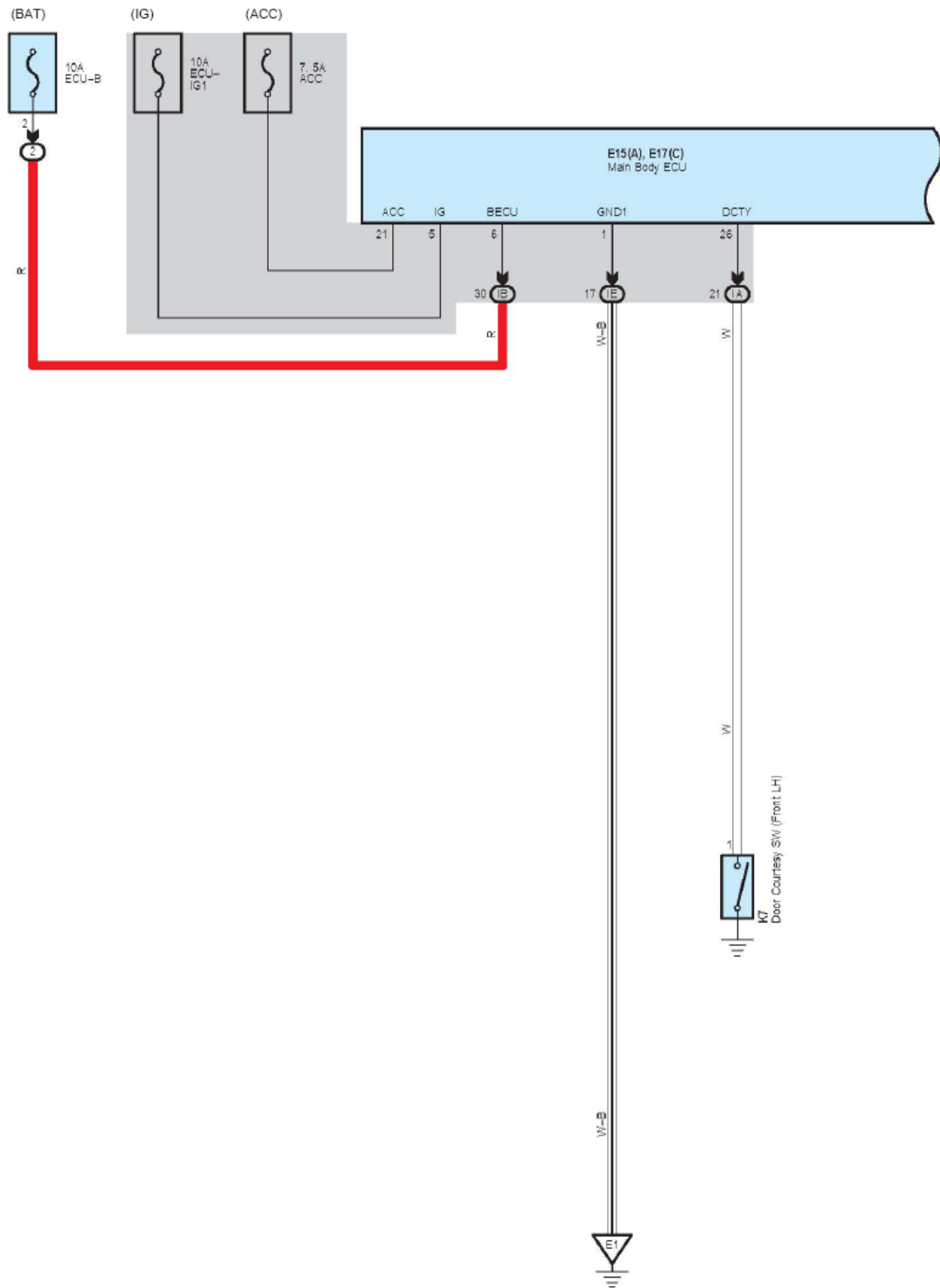
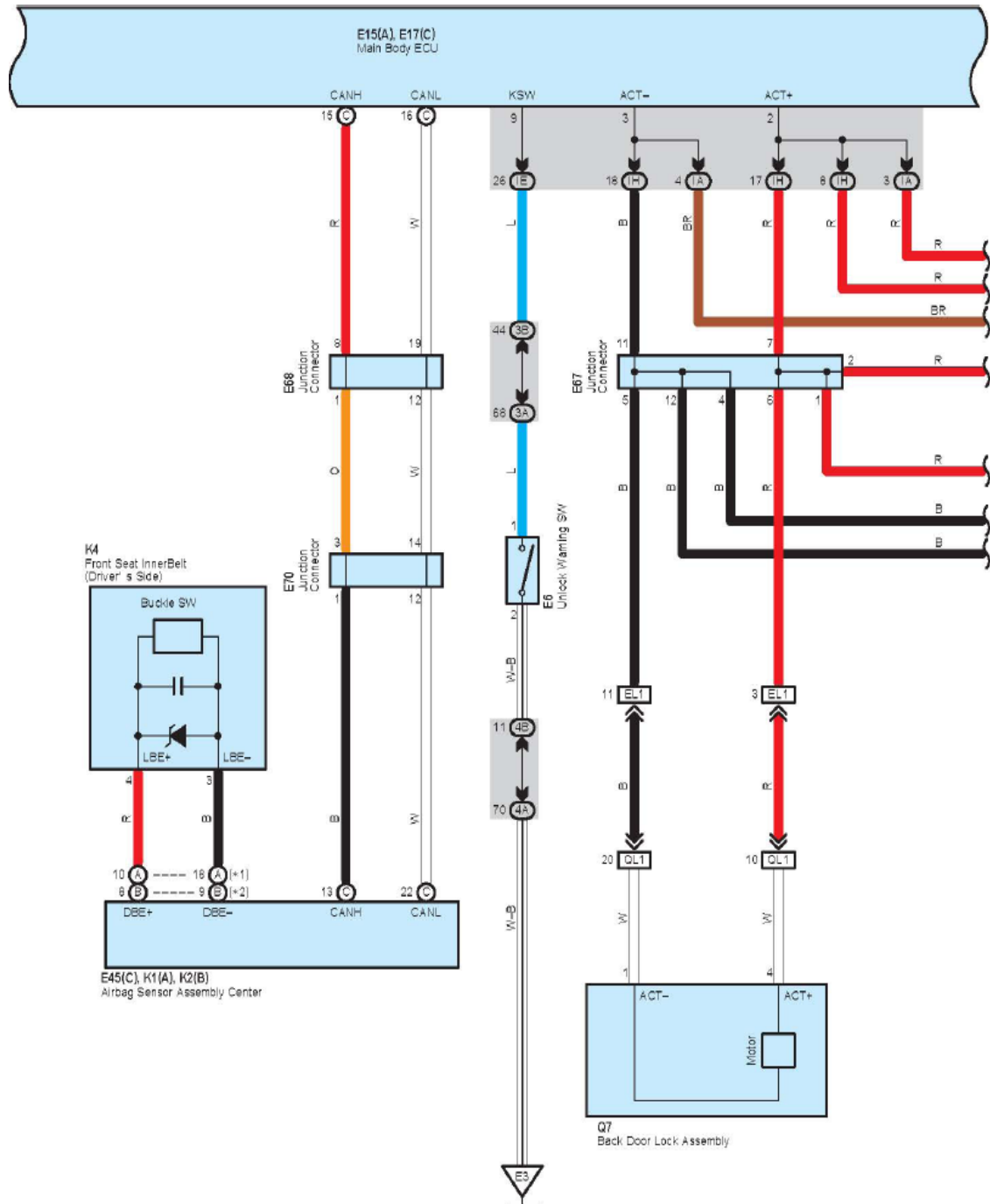
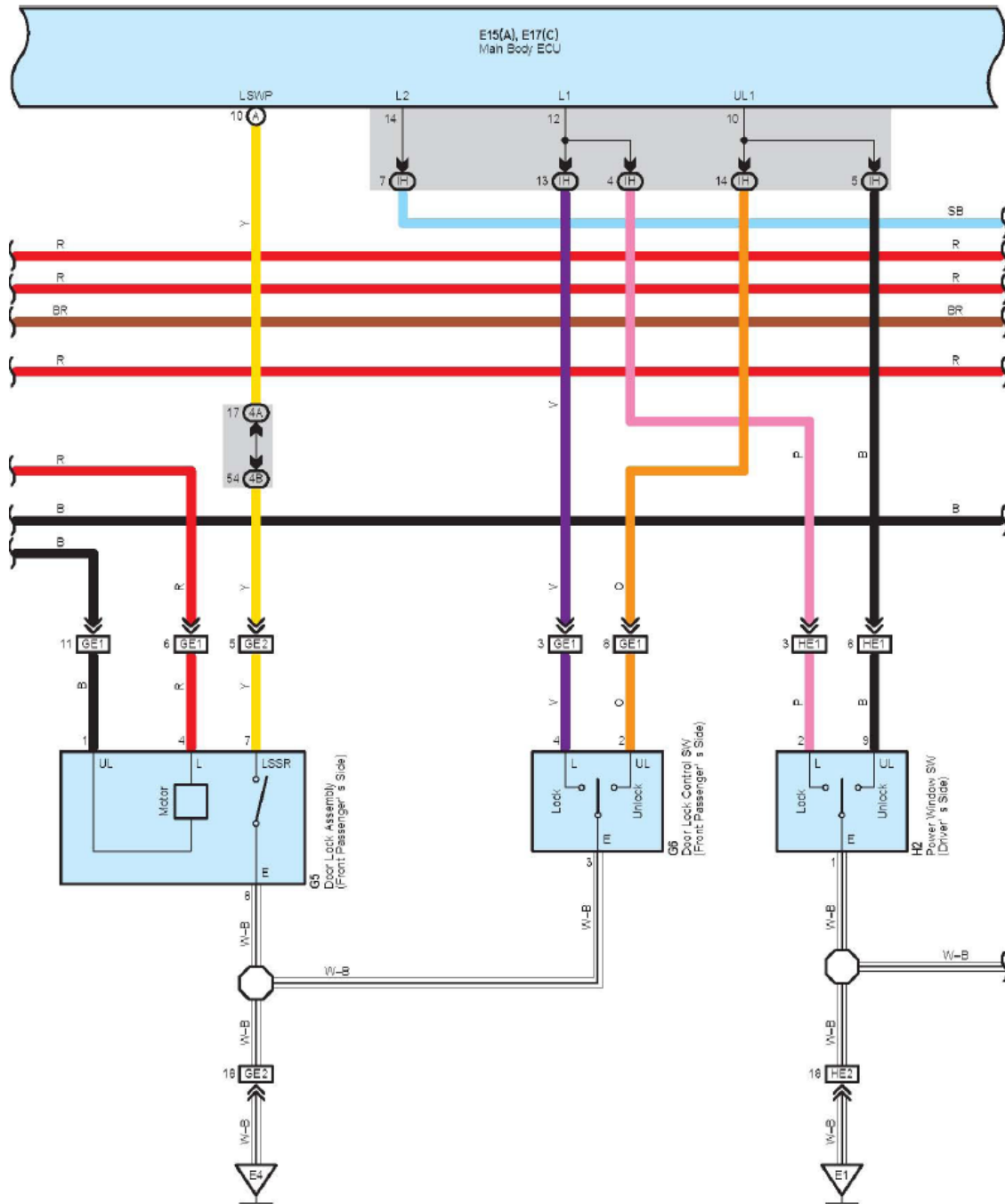
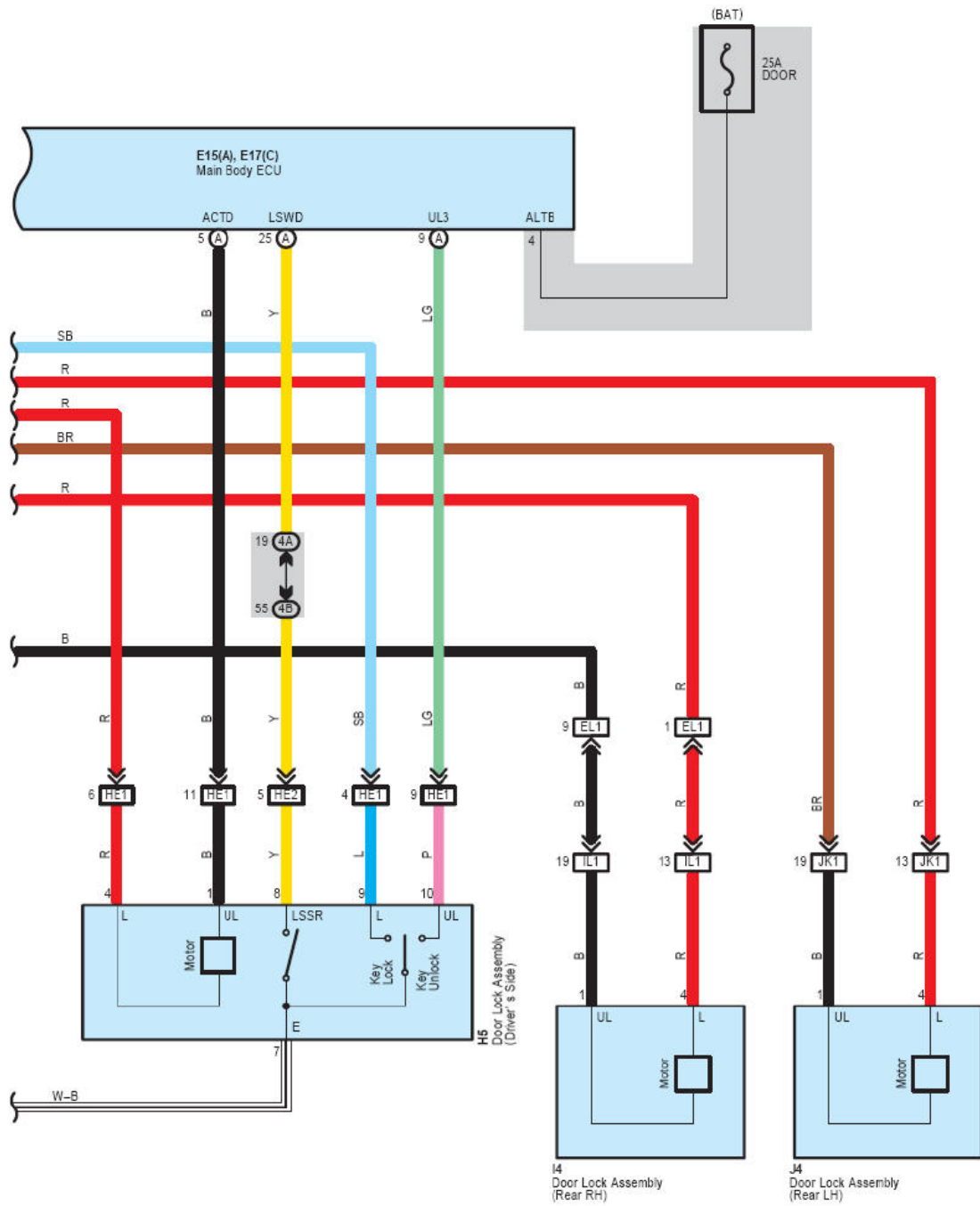


### Door Lock Control









### Junction Block and Wire Harness Connector

Code	Junction Block and Wire Harness (Connector Location)
3A	Instrument Panel Wire and J/B No.3 (Instrument Panel Center)Instrument Panel Wire and J/B No.3 (Instrument Panel Center)
3B _	
4A	Instrument Panel Wire and J/B No.4 (Instrument Panel Center)Instrument Panel Wire and J/B No.4 (Instrument Panel Center)
4B _	
IA	Floor Wire and Instrument Panel J/B (Cowl Side Left)
IB	Engine Room Main Wire and Instrument Panel J/B (Cowl Side Left)
IE	Instrument Panel Wire and Instrument Panel J/B (Cowl Side Left)Instrument Panel Wire and Instrument Panel J/B (Cowl Side Left)
IH _	

### Connector Joining Wire Harness and Wire Harness

Code	Joining Wire Harness and Wire Harness (Connector Location)
EL1	Instrument Panel Wire and Floor No.2 Wire (Right Kick Panel)
GE1	Front Door RH Wire and Instrument Panel Wire (Right Kick Panel)Front Door RH Wire and Instrument Panel Wire (Right Kick Panel)
GE2 _	
HE1	Front Door LH Wire and Instrument Panel Wire (Left Kick Panel)Front Door LH Wire and Instrument Panel Wire (Left Kick Panel)
HE2 _	
IL1	Rear Door No.2 RH Wire and Floor No.2 Wire (Right Center Pillar)
JK1	Rear Door No.1 RH Wire and Floor Wire (Left Center Pillar)
QL1	Back Door No.2 Wire and Floor No.2 Wire (Right Rear Quarter Panel)

### Ground Points

Code	Ground Points Location
E1	Left Kick Panel
E3	Instrument Panel Reinforcement Center
E4	Right Kick Panel