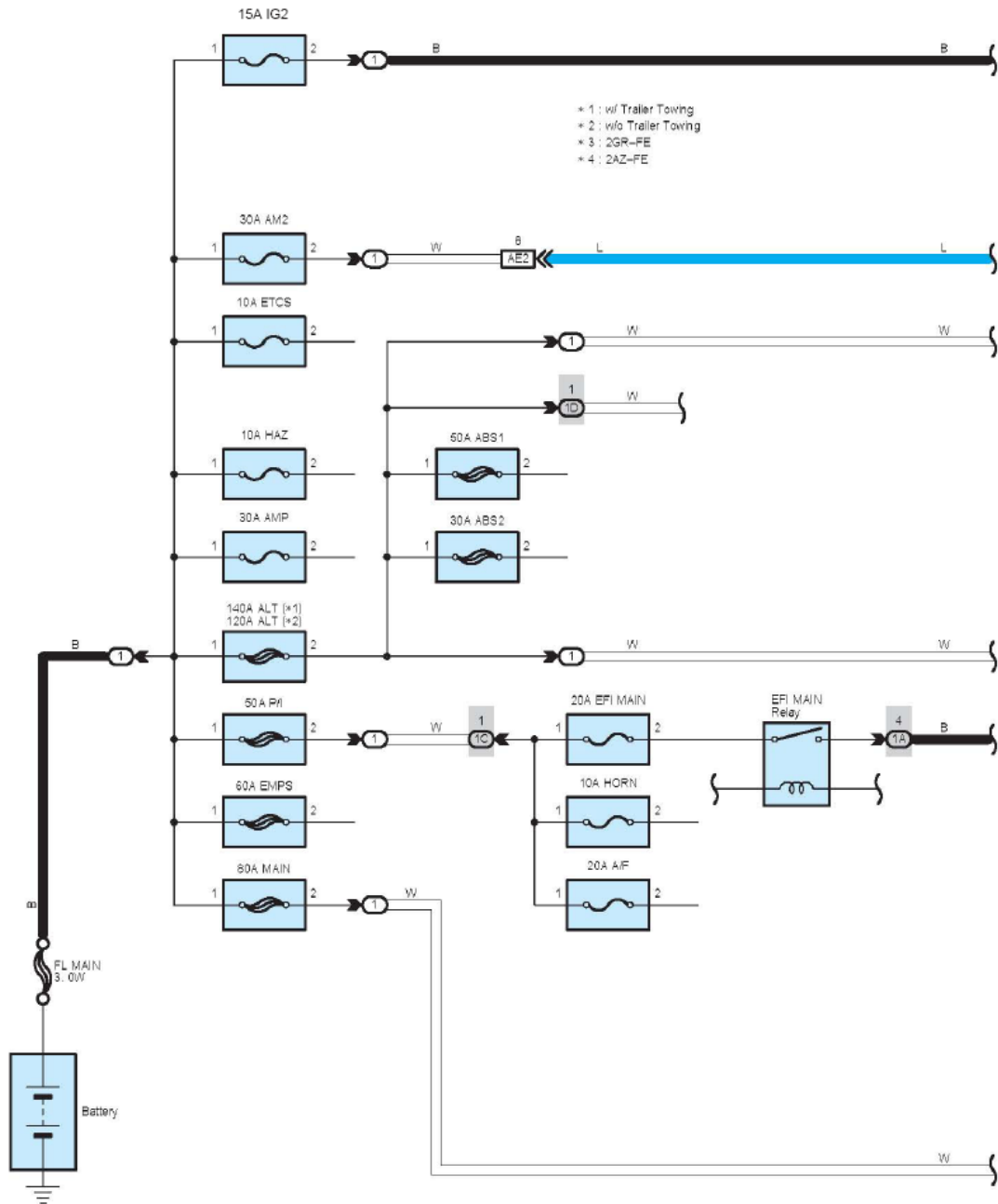
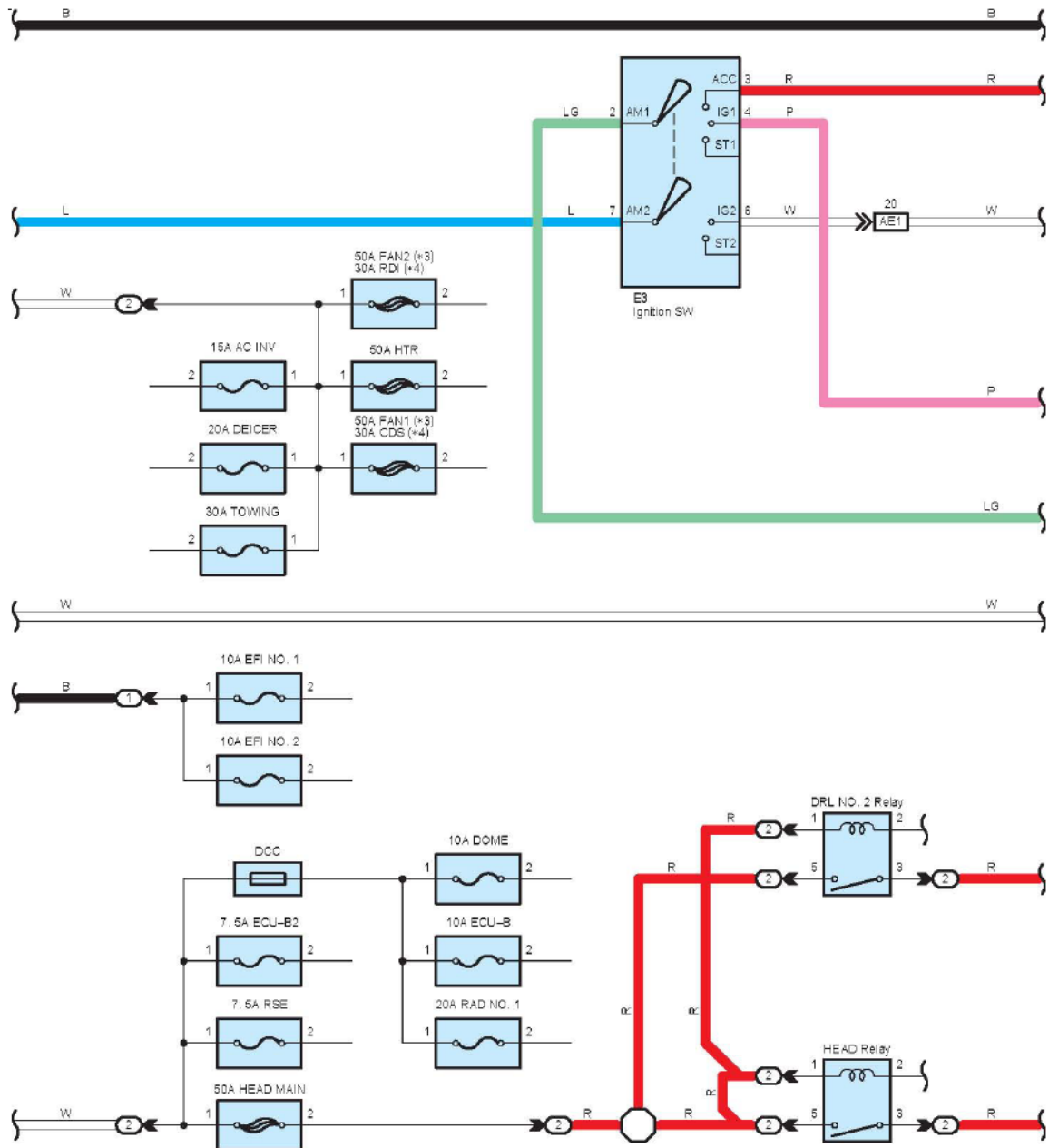
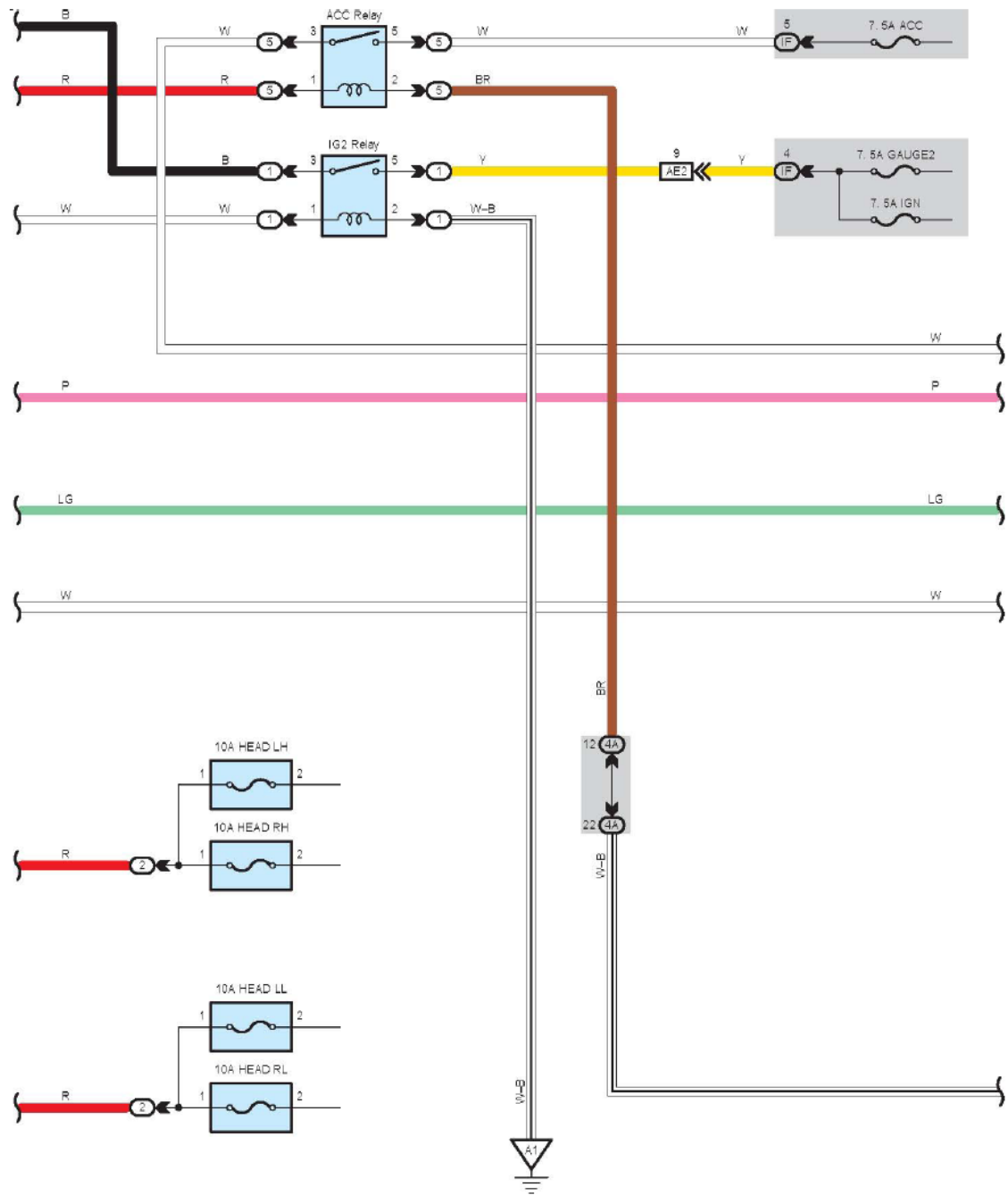
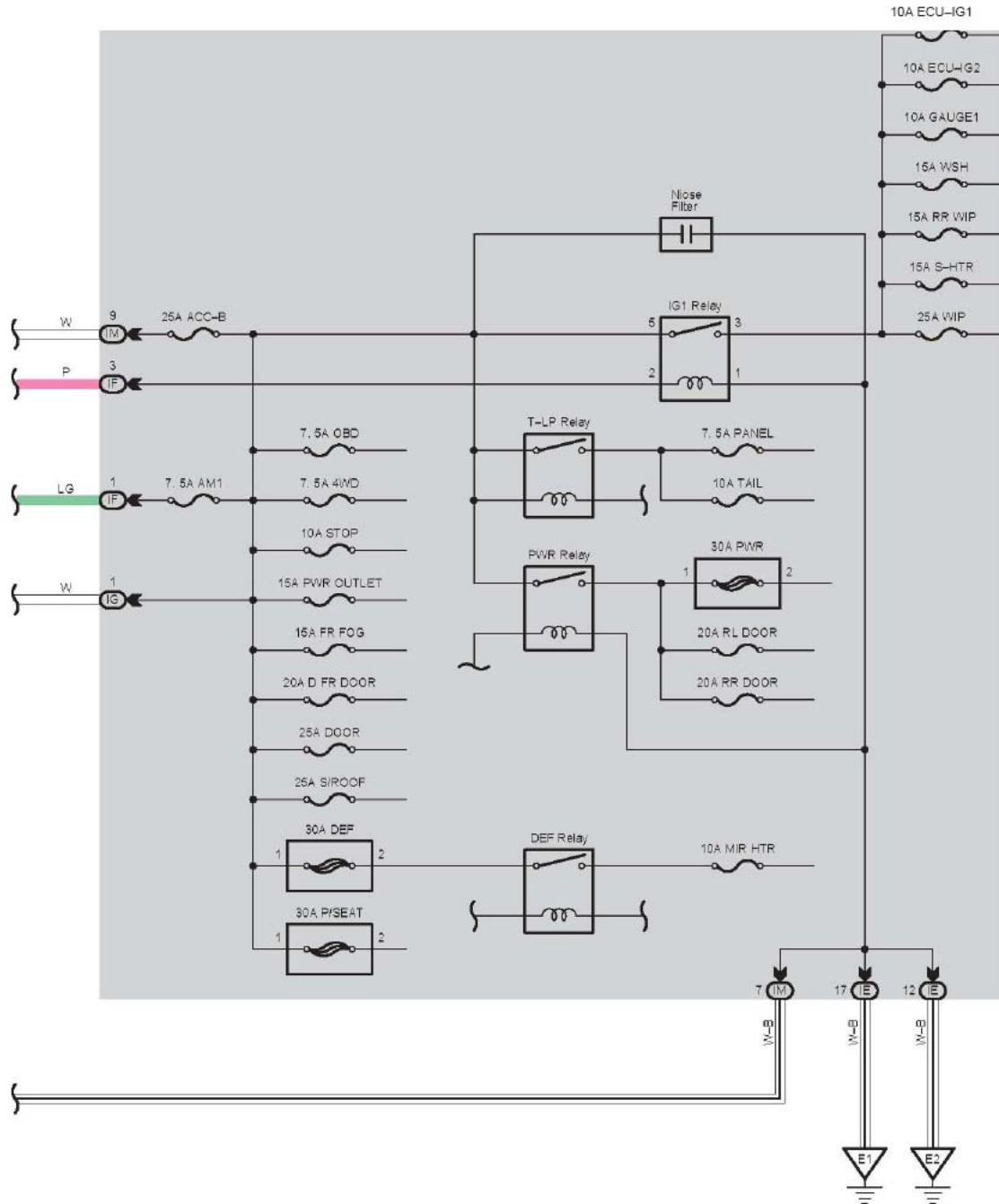


Power Source









Relay Blocks

Code	Relay Blocks (Relay Block Location)
1	Engine Room R/B No.1 (Engine Compartment Left)Engine Room R/B No.1 (Engine Compartment Left)
2	Engine Room R/B No.2 (Engine Compartment Right)Engine Room R/B No.2 (Engine Compartment Right)
5	R/B No.5 (Cowl Side Left)

Junction Block and Wire Harness Connector

Code	Junction Block and Wire Harness (Connector Location)
1A	Engine Room Main Wire and Engine Room J/B (Engine Compartment Left)Engine Room Main Wire and Engine Room J/B (Engine Compartment Left)
1C_	
1D	Engine Wire and Engine Room J/B (Engine Compartment Left)Engine Wire and Engine Room J/B (Engine Compartment Left)
4A	Instrument Panel Wire and J/B No.4 (Instrument Panel Center)
IE	Instrument Panel Wire and Instrument Panel J/B (Cowl Side Left)Instrument Panel Wire and Instrument Panel J/B (Cowl Side Left)
IF_	
IG	Engine Room Main Wire and Instrument Panel J/B (Cowl Side Left)
IM	Instrument Panel Wire and Instrument Panel J/B (Cowl Side Left)

Connector Joining Wire Harness and Wire Harness

Code	Joining Wire Harness and Wire Harness (Connector Location)
AE1	Engine Room Main Wire and Instrument Panel Wire (Left Side of the Instrument Panel)Engine Room Main Wire and Instrument Panel Wire (Left Side of the Instrument Panel)
AE2_	

Ground Points

Code	Ground Points Location
A1	Front Left Fender
E1	Left Kick Panel
E2	Instrument Panel Reinforcement Left